



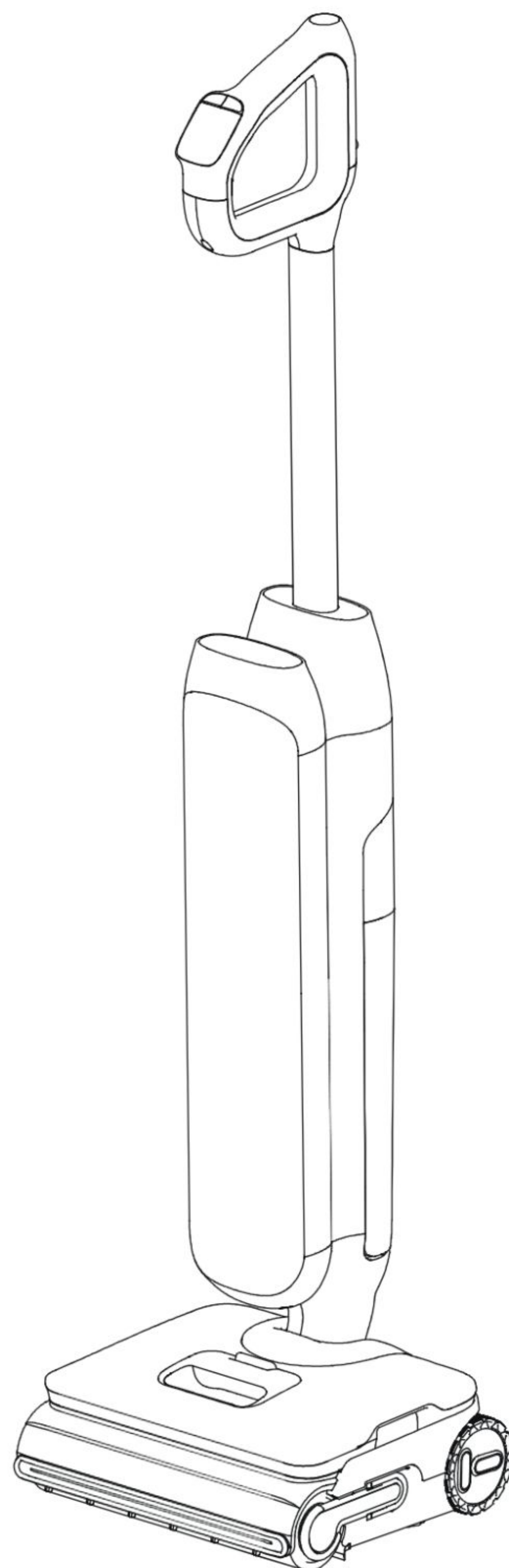
FLOOR ONE S9 ARTIST STEAM SERIES

Smart Cordless Steam Floor Washer

Instruction Manual

Manual De Uso

Mode D'emploi



*Actual product may differ from illustration.

TINECO IS HERE TO HELP.

We'll get back to you within 24 hours.



 www.tineco.com

 1-855-292-8864

CONTENTS

Important Safety Instructions.....	2
Specifications	7
Overview.....	8
Accessories.....	9
Assembly	10
Operation.....	11
Maintenance	18
Troubleshooting.....	22
Warranty	23

TINECO IS HERE TO HELP.

We'll get back to you within 24 hours.

 www.tineco.com

 1-855-292-8864

Important Safety Instructions

SAVE THESE INSTRUCTIONS

Household use only.

For indoor use only.

When using an electrical appliance, basic precautions should always be followed, including the following:

READ ALL INSTRUCTIONS BEFORE USING (THIS APPLIANCE). Failure to follow the warnings and instructions may result in electric shock, fire and/or serious injury.

WARNING – To reduce the risk of fire, electric shock, or injury:

1. For EU Market — This appliance can be used by children aged from 8 years and above and persons with reduced physical, sensory or mental capabilities or lack of experience and knowledge if they have been given supervision or instruction concerning use of the appliance in a safe way and understand the hazards involved. Children should not play with the appliance. Cleaning and user maintenance shall not be performed by children without supervision.
2. For Markets other than EU — The appliance is not to be used by persons (including children) with reduced physical, sensory or mental capabilities, or lack of experience and knowledge, unless they have been given supervision or instruction.
3. Use only indoors, on non-carpeted floor surfaces such as vinyl, tile, sealed wood, etc. Be careful not to run over loose objects or edges of area rugs. Stalling the brush may result in premature belt failure.
4. Do not allow to be used as a toy. Close attention is necessary when used by or near children, pets or plants.
5. Use only as described in this manual. Use only manufacturer's recommended accessories.
6. Do not use with a damaged cord or plug. If appliance has been dropped, damaged, left outdoors, dropped into water, or is not working as it should, return it to a service center.
7. Do not handle charger, including charger plug, and charger terminals with wet hands.
8. Do not put any object into openings. Do not use with any opening blocked; keep free of dust, lint, hair, and anything that may reduce air flow.
9. Keep hair, loose clothing, fingers, and all parts of your body away from openings and moving parts.
10. Use extra care when cleaning on stairs.
11. Do not use to pick up flammable or combustible liquids, such as gasoline, or use in areas where they may be present.
12. Do not pick up anything that is burning or smoking, such as cigarettes, matches, or hot ashes.
13. Do not use without filter.
14. Prevent unintentional activation. Ensure the switch is in the off-position before picking up or carrying the appliance. Carrying the appliance with your finger on the switch or energizing appliance that have the switch on invites accidents.

15. Always switch off the appliance before making any adjustments, changing accessories, or storing the appliance. Such preventive safety measures reduce the risk of starting the appliance accidentally.
16. Charging only with the charging dock specified by Tineco. A charging dock that is suitable for one type of battery pack may create a risk of fire when used with another battery pack.
17. Use appliances only with specifically designated Tineco battery packs. Use of any other battery packs may create a risk of injury and fire.
18. Under abusive conditions, liquid may be ejected from the battery; avoid contact. If contact accidentally occurs, flush with water. If liquid comes into eye contact, seek medical help. Liquid ejected from the battery may cause irritation or burns.
19. Do not use a battery pack or appliance that is damaged or modified. Damaged or modified batteries may exhibit unpredictable behavior resulting in fire, explosion or risk of injury.
20. Do not expose a battery pack or appliance to fire or excessive temperature. Exposure to fire or temperature above 266°F (130°C) may cause an explosion.
21. Follow all charging instructions and do not charge the battery pack or appliance outside of the temperature range specified in the instructions. Charging improperly or at temperatures outside of the specified range may damage the battery and increase the risk of fire.
22. Have servicing performed by a qualified repair person using only identical replacement parts. This will ensure that the safety of the product is maintained.
23. This appliance contains battery cells that are non-replaceable. Do not modify or attempt to repair the appliance or the battery pack except as indicated in the instructions for use and care.
24. Always turn off this appliance before connecting or disconnecting the motorized nozzle.
25. Do not charge or store the appliance outdoors or inside the car. Only charge, store or use the battery in a dry indoor area where the temperature is higher than 39.2°F (4°C) but lower than 104°F (40°C). The charger is for indoor use only.
26. Do not use to pick up ultrafine particles, such as lime, cement, sawdust, gypsum powder, or ashes.
27. Do not use to pick up sharp objects, such as metallic nails, pieces of glass, metal paper clips, or pins.
28. Do not use to pick up hazardous material and chemicals, such as solvent, drain cleaner, strong acids, or strong alkali.
29. Stop using immediately if the appliance is overheating, making unusual noises, producing unusual odors, performing low suction, or leaks electricity.
30. Turn cleaner OFF and disconnect from electrical outlet for long-term storage.
31. Always clean the Dirty Water Tank after each use to avoid potential blockage, which may lead to low suction power, motor overheating, or reduce the service life of the appliance.
32. Store appropriately indoors in a dry place after use.
33. Do not place or submerge appliance in standing water or try to clean flooded areas.
34. All data and technical instructions of this manual are based on results from lab tests of Tineco or designated third parties. The company reserves all rights for final explanations.

35. The plug must be removed from the socket-outlet before cleaning or maintaining the appliance.
36. A hazard may occur if the appliance runs over the supply cord.
37. Do not use the appliance when the water depth is more than 5mm above the surface.
38. Do not unplug by pulling on cord. To unplug, grasp the plug, not the cord.
39. Do not pull or carry by cord, use cord as a handle, close a door on cord, or pull cord around sharp edges or corners. Do not run appliance over cord. Keep cord away from heated surfaces.
40. When battery pack is not in use, keep it away from metal objects such as paper clips, coins, keys, nails, screws or other small metal objects that could create a connection between the battery terminals. Short-circuiting the battery terminals may result in burns or a fire.
41. Do not leave appliance when plugged in. Unplug from outlet when not in use and before servicing.
42. If the supply cord is damaged, it must be replaced by the manufacturer or its service agent or a similarly qualified person in order to avoid a hazard.
43. The battery must be removed from the appliance before it is scrapped.
44. The appliance must be disconnected from the supply mains when removing the battery.
45. The battery is to be disposed of safely.
46. Do not add any solution in Steam Mode.
47. Use only Charger Model AA2460.
48. For a vacuum cleaner with a steam cleaner attachment:
 - (1) Unplug from outlet before filling, rinsing, or cleaning. Do not fill above the filled levmark.
 - (2) Do not open the water fill cap when using the steam-cleaning attachment
 - (3) Do not turn over the steam-cleaning nozzle, or touch the surface of the nozzle when using the steam-cleaning attachment.
 - (4) Only use water to refill the reservoir. Do not use any type of chemicals or additives
 - (5) Do not apply steam directly to any person or animal.
 - (6) Do not touch the steam-cleaning nozzle or adjacent surfaces when steam-cleaning or when the nozzle is heated.

Range of Usage

1. The cordless hard floor cleaner is to be used on indoor hard floors, such as vinyl, tile, sealed wood, etc. Use on a rough surface may not get the best performance.
2. Keep your appliance away from heat sources, such as fireplace or heater, to avoid casing deformation.
3. Do not use to pick up flammable or combustible liquids, ultrafine particles, sharp objects, hazardous material, chemicals or anything that is burning or smoking, as described above.

About the Appliance

1. Do not modify or attempt to repair the appliance except as indicated in the instructions for operating and cleaning.
2. The appliance is only to be used with the power supply provided. The plug must be removed from the socket-outlet before cleaning or appliance maintenance.
3. Use extra care when cleaning on stairs.
4. Ensure that the Power Switch is in the OFF-position before picking up or carrying the appliance. Do not lay flat or lean the appliance so as to prevent dirty water from entering into the motor.
5. To avoid being tripped accidentally, please put away the appliance on the charging dock.
6. Always install the Dirty Water Tank and Clean Water Tank properly before use.
7. Do not allow the appliance or charging dock to get wet to avoid risk of fire or injury caused by a short circuit.

About the Drying & Charging Dock

(Applicable to models with drying function.)

1. **WARNING** – Do not immerse in water.
2. **CAUTION** – Hot surface. When using avoid contact.
3. This appliance has a polarized plug (one blade is wider than the other). To reduce the risk of electric shock, this plug is intended to fit in a polarized outlet only one way. If the plug does not fit fully in the outlet, reverse the plug. If it still does not fit, contact a qualified electrician. Do not modify the plug in any way.

FCC Supplier's Declaration of Conformity

FLOOR ONE S9 ARTIST STEAM SERIES

This appliance complies with part 15 of the FCC Rules. Operation is subject to the following two conditions:

(1) This appliance may not cause harmful interference, and (2) this appliance must accept any interference received, including interference that may cause undesired operation.

TINECO INTELLIGENT, INC.

1700 WESTLAKE AVENUE N., SUITE 200, SEATTLE, WA, 98109, USA

WWW.TINECO.COM

1-855-292-8864

Changes or modifications not expressly approved by the party responsible for compliance could void the user's authority to operate the equipment.

Note: This equipment has been tested and found to comply with the limits for a Class B digital appliance, pursuant to Part 15 of the FCC Rules. These limits are designed to provide reasonable protection against harmful interference in a residential installation.

This equipment generates uses and can radiate radio frequency energy and, if not installed and used in accordance with the instructions, may cause harmful interference to radio communications. However, there is no guarantee that interference will not occur in a particular installation. If this equipment does cause harmful interference to radio or television reception, which can be determined by turning the equipment off and on, the user is encouraged to try to correct the interference by one or more of the following measures:

- (1) Reorient or relocate the receiving antenna.
- (2) Increase the separation between the equipment and receiver.
- (3) Connect the equipment into an outlet on a circuit different from that to which the receiver is connected.
- (4) Consult the dealer or an experienced radio/TV technician for help.

FCC Radiation Exposure Statement

This equipment complies with FCC radiation exposure limits set forth for an uncontrolled environment. This equipment should be installed and operated with a minimum distance of 20cm between the radiator and any part of your body.

Note

The manufacturer is not responsible for any radio or TV interference caused by unauthorized modifications to this equipment, such modifications could void the user's authority to operate this equipment.

IC Note

This appliance contains licence-exempt transmitter(s)/receiver(s) that comply with Innovation, Science and Economic Development Canada's licence-exempt RSS(s). Operation is subject to the following two conditions:

- (1) This appliance may not cause interference.
 - (2) This appliance must accept any interference, including interference that may cause undesired operation of the appliance.
- This Class B digital apparatus complies with Canadian ICES-003.
 - This equipment complies with ISED RSS-102 radiation exposure limits set forth for an uncontrolled environment. This equipment should be installed and operated with a minimum distance of 20cm between the radiator and any part of your body.

Specifications


Product (Appliance)	FLOOR ONE S9 ARTIST STEAM SERIES
Voltage	25.2V \equiv 6250mAh Li-ion
Rated Power	285W
Running Time	~75 mins
Charging Time	3-3.5 hrs
Water Flow Rate	20-100ml/min
CWT Capacity	\approx 0.88L
DWT Capacity	\approx 0.75L (Lay-flat status: 0.6L)
Waterproof	IPX4

Drying & Charging Dock

Input (drying)	120V~ 60Hz 5.2A
Input (charging)	120V~ 60Hz 1A
Output	30V \equiv 2A

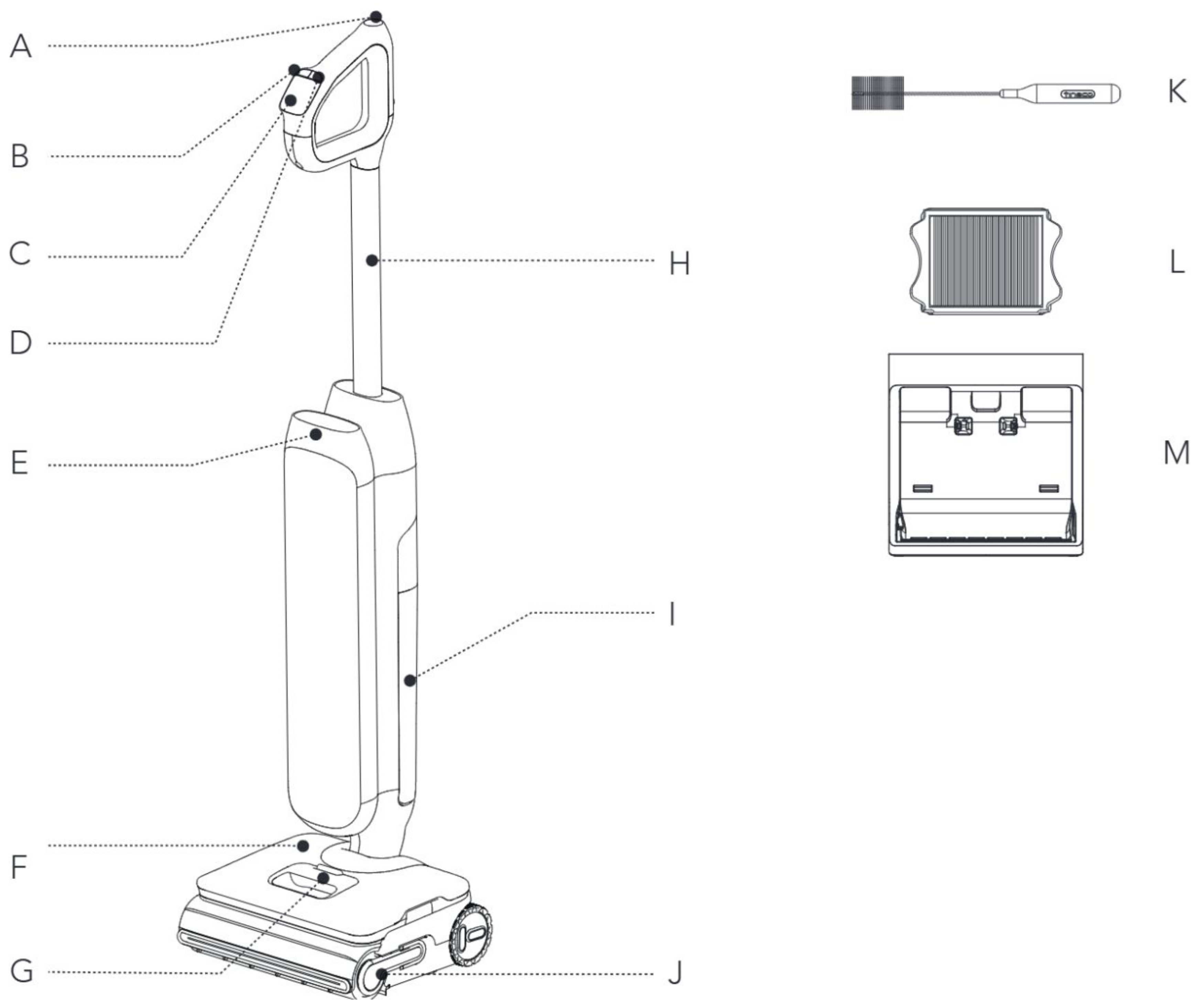
*Estimated runtime data was obtained by Tineco Laboratory.

Disposal

- The battery contains materials that are harmful to the environment and must be removed from the appliance before it is discarded.
- When removing the battery, the appliance must be powered off.
- Batteries, chargers, accessories and packaging should be sorted for environmental friendly recycling. Do not put them into fire, water or soil. Do not dispose of batteries and chargers into household waste! 
- If battery leakage contacts skin or clothing, immediately flush with water to avoid irritation and seek medical help.

Overview

EN



- A. Self-cleaning Button
- B. Mode Switch
- C. Digital Display
- D. Power On/Off
- E. 3D Light Display
- F. Clean Water Tank (CWT)
- G. Clean Water Tank Release

- H. Tube
- I. Dirty Water Tank (DWT)
- J. Brush Roller
- K. Cleaning Tool
- L. Dry Filter
- M. Drying & Charging Dock

Accessories

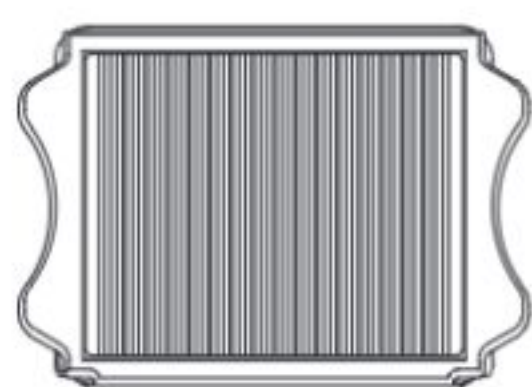
Note:

Accessories may vary among markets. If you require more accessories, please go to www.tineco.com or store.tineco.com.



Heatproof Brush Roller

Soft roller head with bristles can be used to vacuum and wash at the same time. It can be easily cleaned with the self-cleaning function.



Dry Filter

Dry filter and filter net can block large particles and debris, ensure the appliance's durability.

* Please install the dry filter before use, or it may lead to weak suction.



Cleaning Tool

A full brush to clean the DWT, brush chamber and opening.

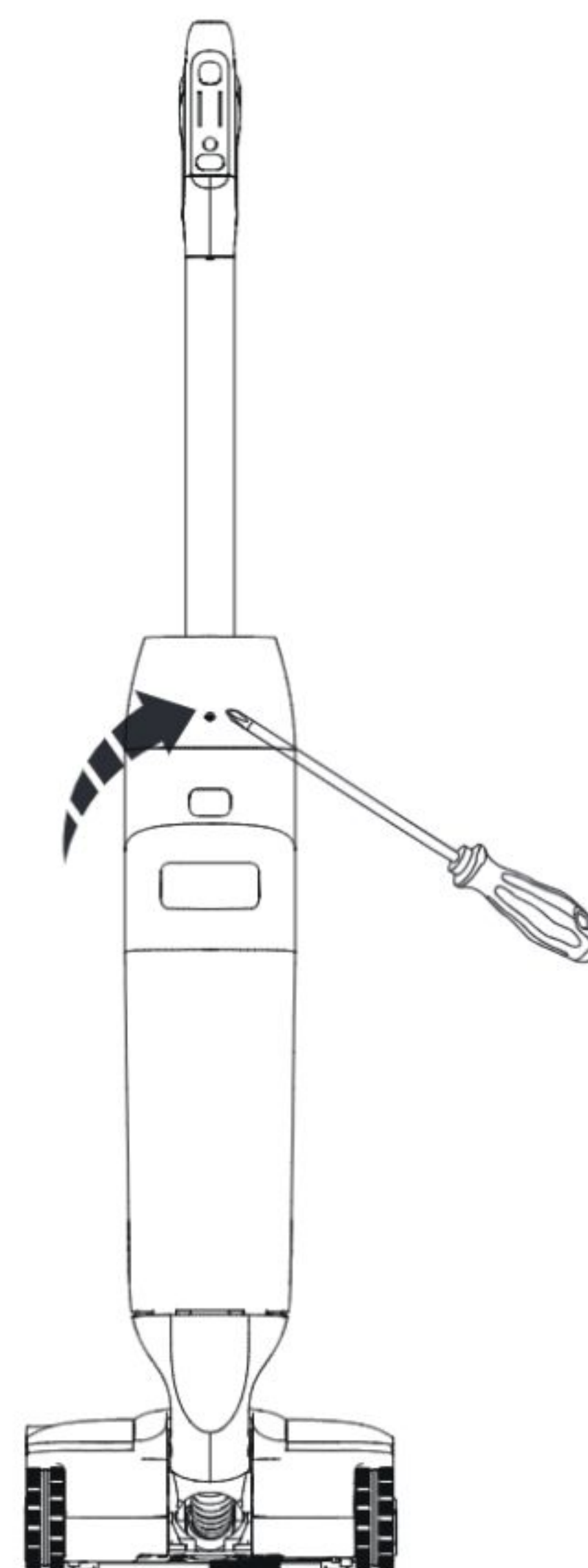
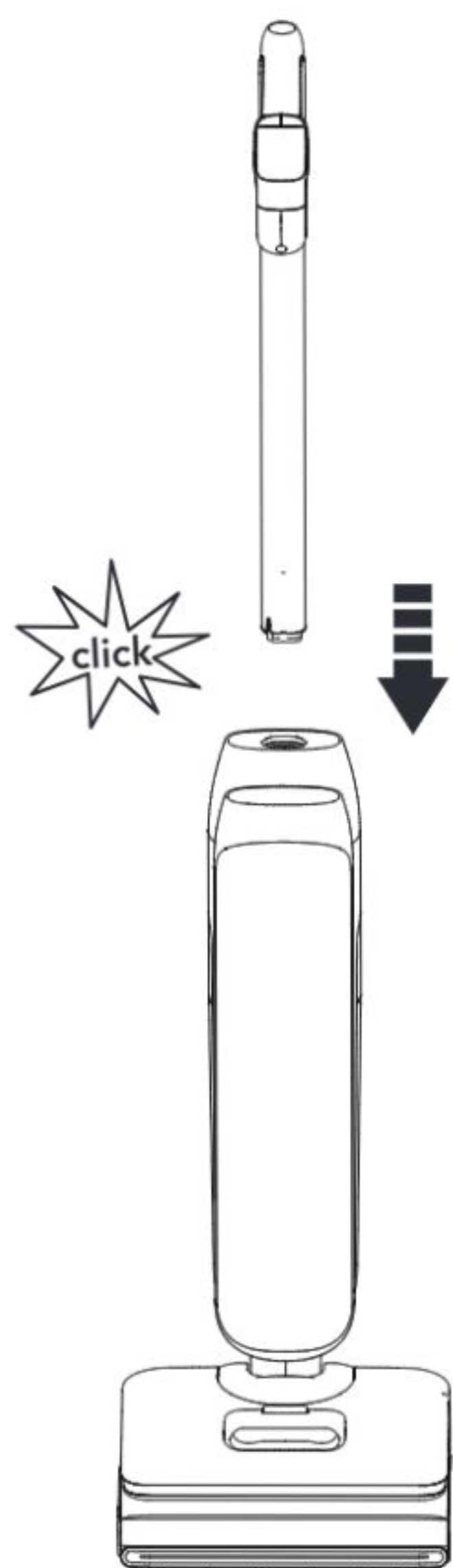
The tool also has a bristled end to remove dirt and mud on the roller and DWT.

Assembly

How to Assemble/Disassemble

Note:

For water tank and brush assembly, please refer to "Operation" and "Maintenance".



To assemble the handle, insert it into the appliance until you hear a click.

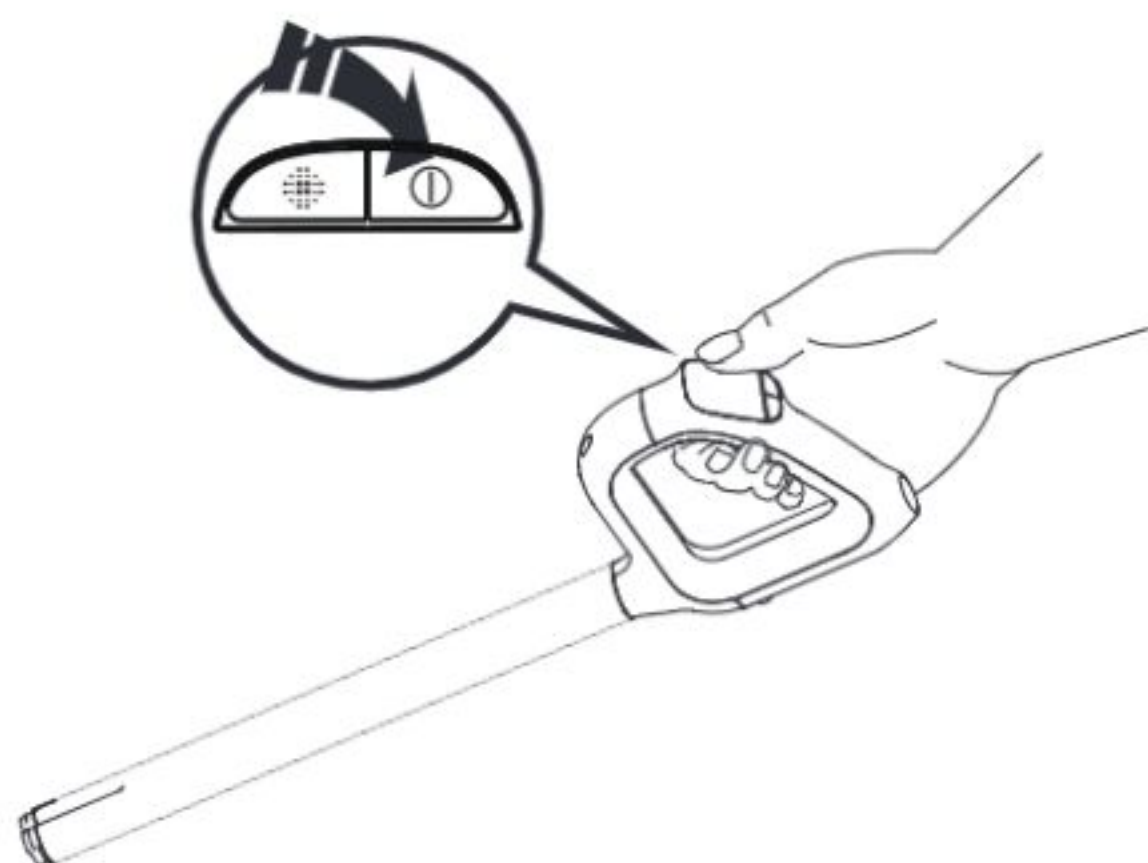
In the event that the handle needs to be disassembled, press the spring to release the handle with a tool (like a screwdriver) and lift the released handle from the appliance.



Operation

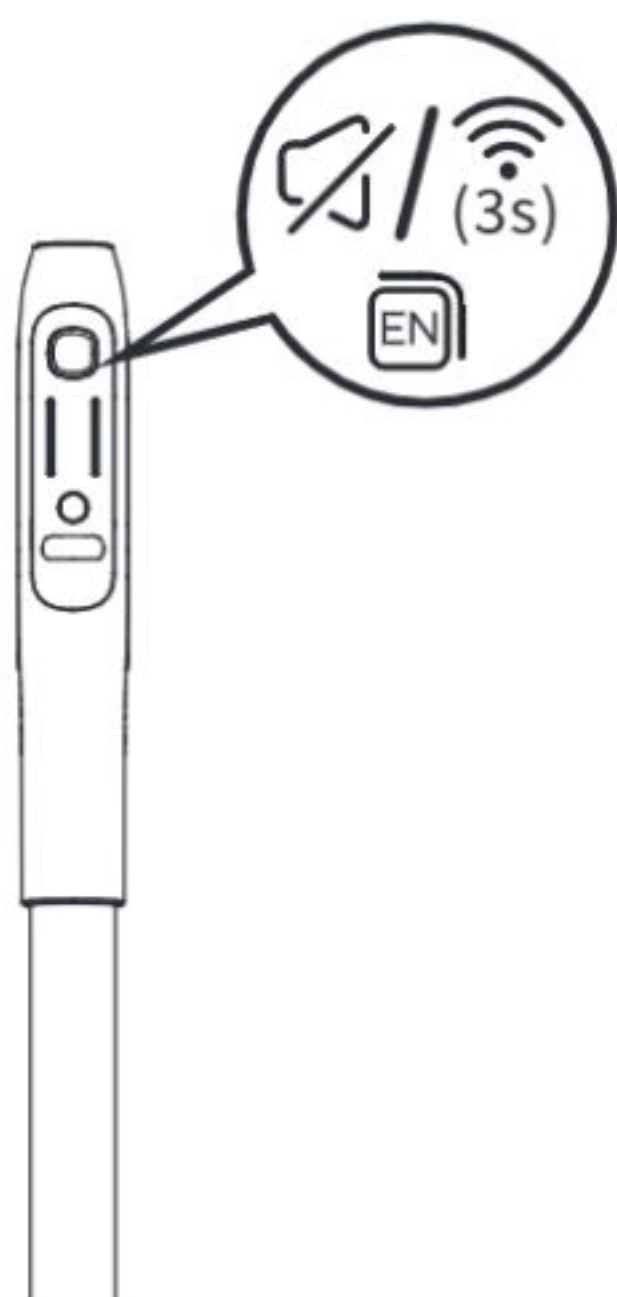
Preparing for Use

- Before first use, please charge the appliance for <3.5 hours (refer to “Charging Instructions” for details).

* Based on results from Tineco lab tests. Lab temperature 39.2°F (4°C) ~ 104°F (40°C).

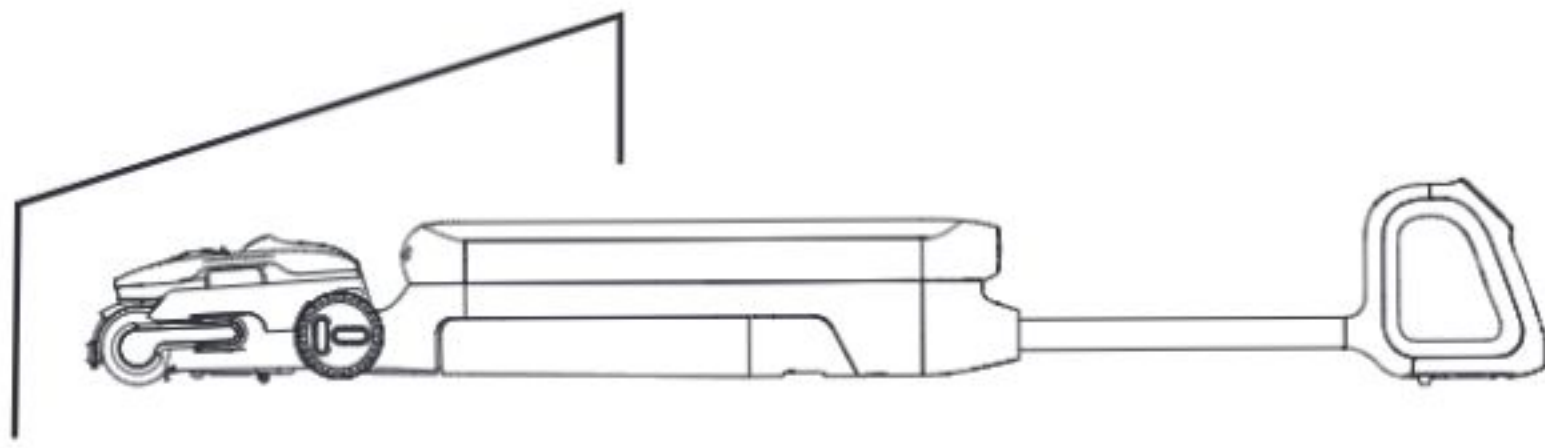


Press the  button and the appliance will start in AUTO mode by default. Press it again to turn off the appliance. Switch between AUTO, MAX, STEAM and SUCTION modes by pressing the  button.

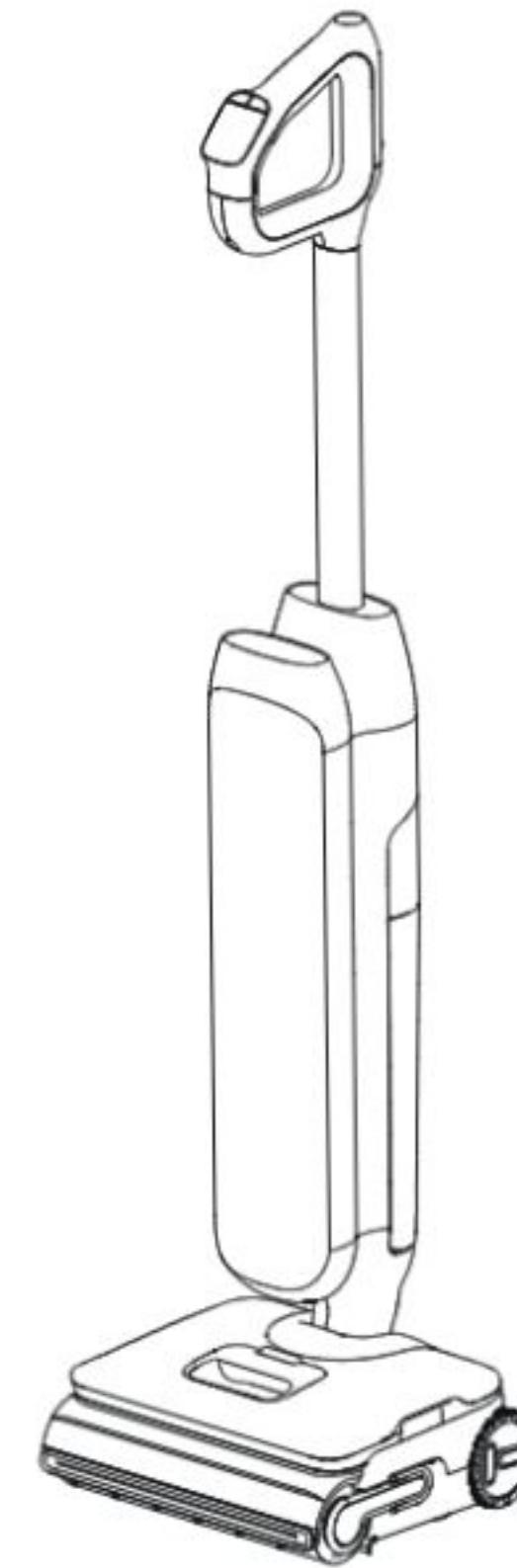


WiFi/Mute/Language Switch Button

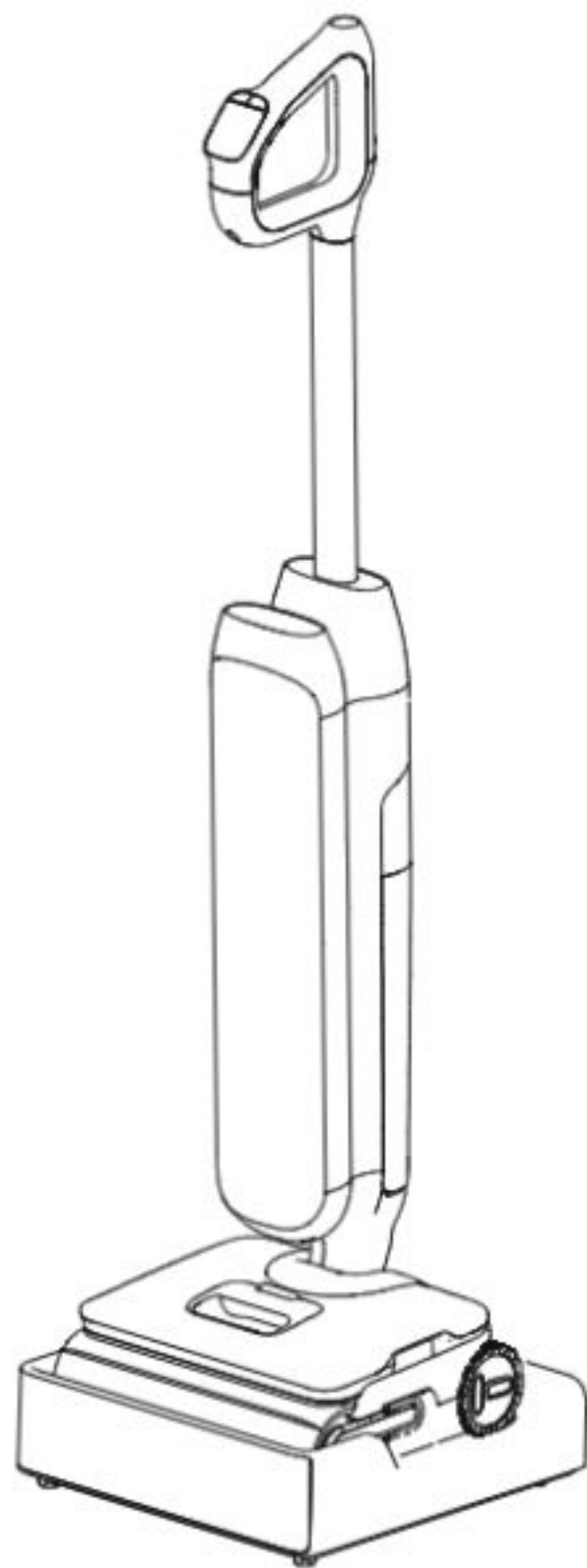
- Short press to adjust the volume.
- Press twice to switch languages. (More voice languages will be added, please refer to the actual product for now.)
- Hold for 3 seconds to connect to network.



To clean under the bed and furniture, first lay the appliance flat.



The appliance will stop working when put upright and start running again when reclined.

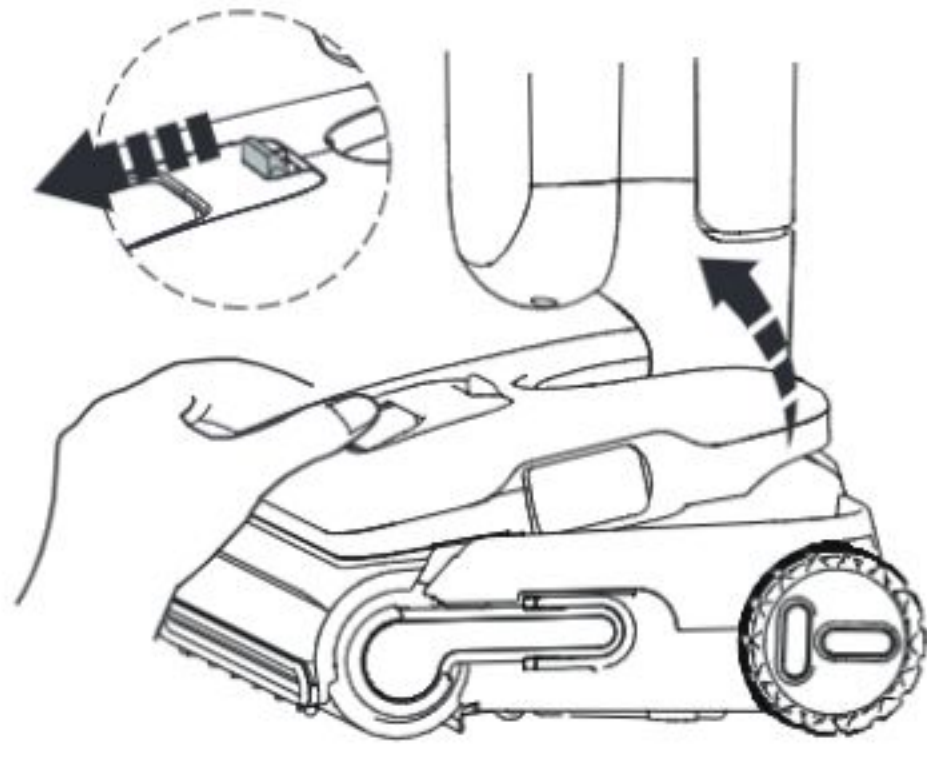


Place the appliance on the charging dock vertically after use for recharge and storage.

Note:

- It is crucial to choose the right mode based on the CWT contents to achieve the highest level of dirt detection efficiency.
- Do not vacuum foamed liquid.
- To vacuum water left on the surface, the appliance will keep running for 3 seconds after powering off.

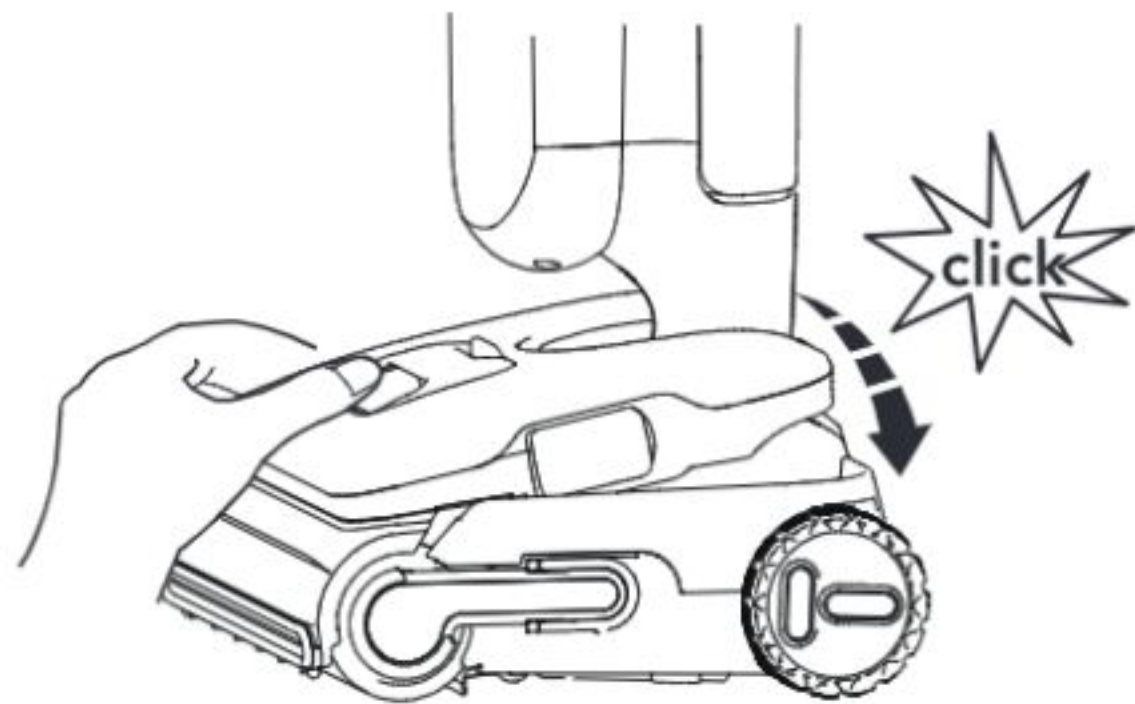
Filling Clean Water Tank



Press the Clean Water Tank release button to remove it from the appliance.



Open the tank cap, and fill the tank with tap water.

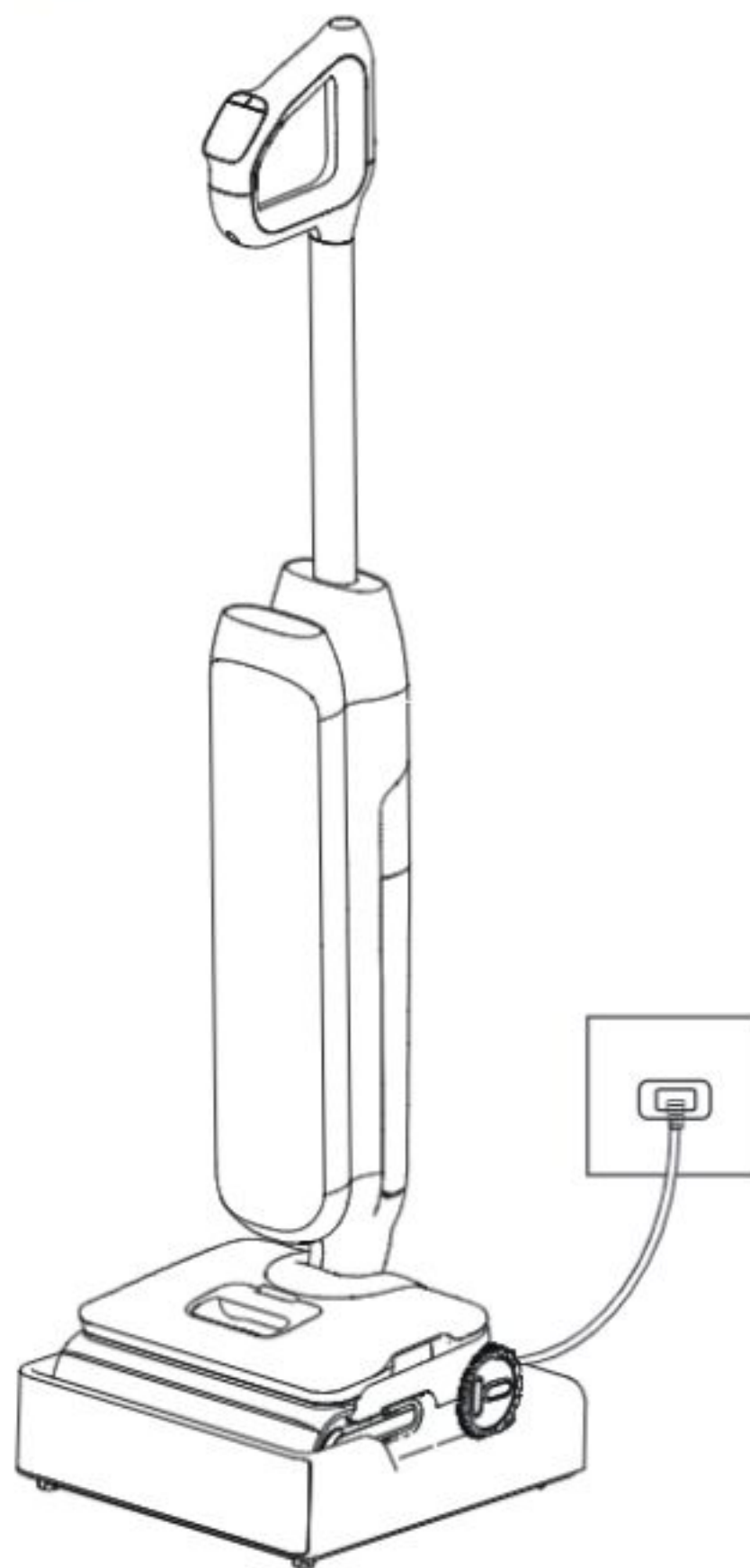


Place the tank back into the appliance. You should hear a click if done correctly.

Note:

Only use water under 140°F/60°C.
DO NOT USE HOT WATER.

Charging Instructions



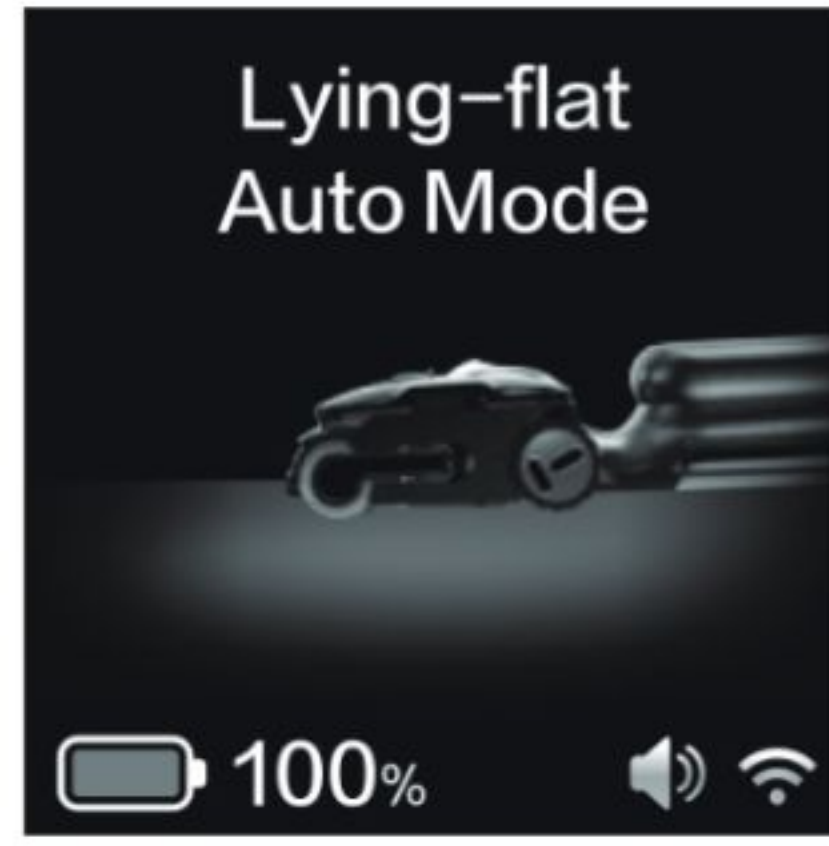
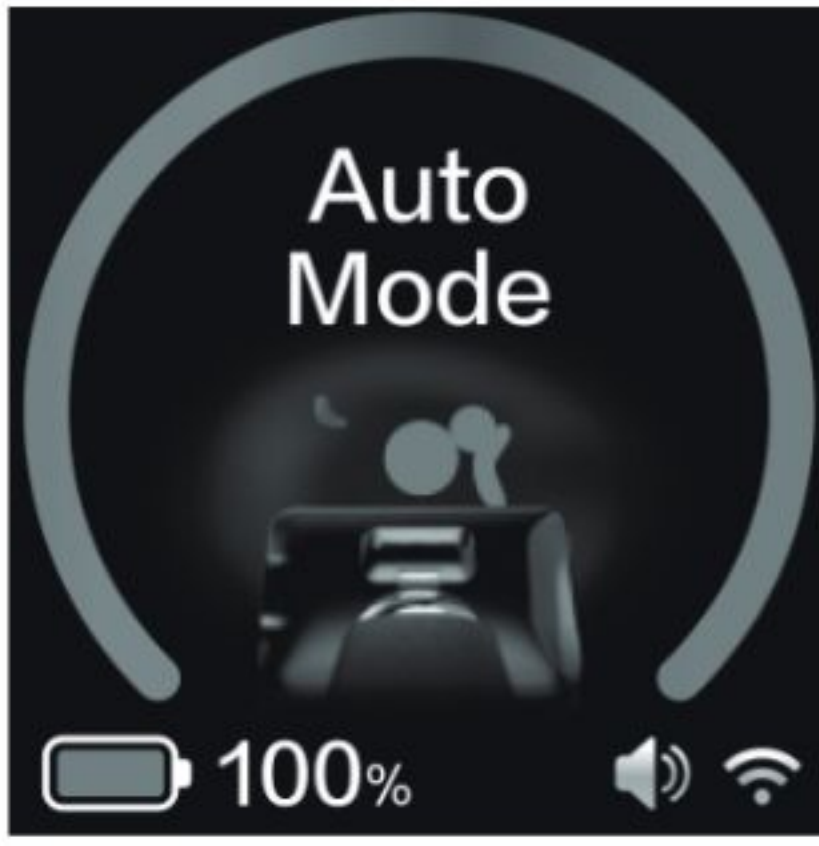
- To charge the appliance, plug in the charging dock and place the appliance on it.
- To avoid tripping hazards, please place the appliance on the charging dock near a wall during charging.

Warning:

- Only charge the appliance with the charger supplied by Tineco.
- During long periods of not being used, the appliance must be charged once every 3 months for optimal performance. It may take up to 3.5 hours for a full charge.
- Store indoors in a dry place. Do not expose the appliance to sunlight or freezing temperatures. Recommended temperature range: 39.2°F (4°C) ~ 104°F (40°C).

Cleaning Mode Selection


AUTO Mode / AUTO Mode (Lay-flat)



- In AUTO mode and AUTO mode (Lay-flat) , the iLoop sensor automatically detects how dirty the floor is and applies suction power.
- Full red light indicates more dirt is detected, and blue light indicates less dirt is detected.


MAX Mode / MAX Mode (Lay-flat)



- In AUTO Mode / AUTO Mode (Lay-flat) , press the  button to enter MAX Mode / MAX Mode (Lay-flat) .
- In MAX Mode / MAX Mode (Lay-flat), the appliance applies max suction power and sprays water for embedded stains.

STEAM Mode / STEAM Mode (Lay-flat)




- In AUTO mode and AUTO mode (Lay-flat), press the  button twice to enter STEAM mode / STEAM mode (Lay-flat).
- In STEAM Mode / STEAM Mode (Lay-flat) , it takes 20-50s to prepare steam. This mode is ideal for cleaning stubborn stains.

Note: Do not add any solution in Steam Mode.

SUCTION Mode / SUCTION Mode (Lay-flat)

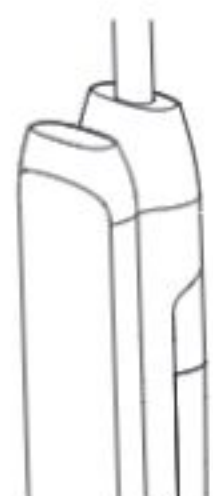
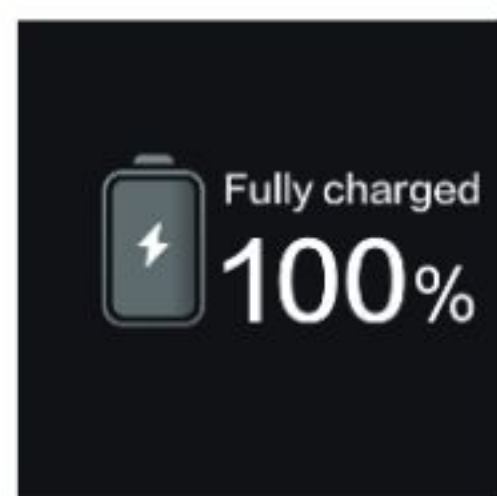


- In AUTO mode and AUTO mode (Lay-flat), press the  button three times to enter SUCTION mode / SUCTION mode (Lay-flat).
- In SUCTION mode / SUCTION mode (Lay-flat), the appliance absorbs water. We recommend using this mode on wet surfaces.

Note:

Keep sharp objects away from the digital display screen to avoid scratches and scrapes.

During Charging / Fully Charged



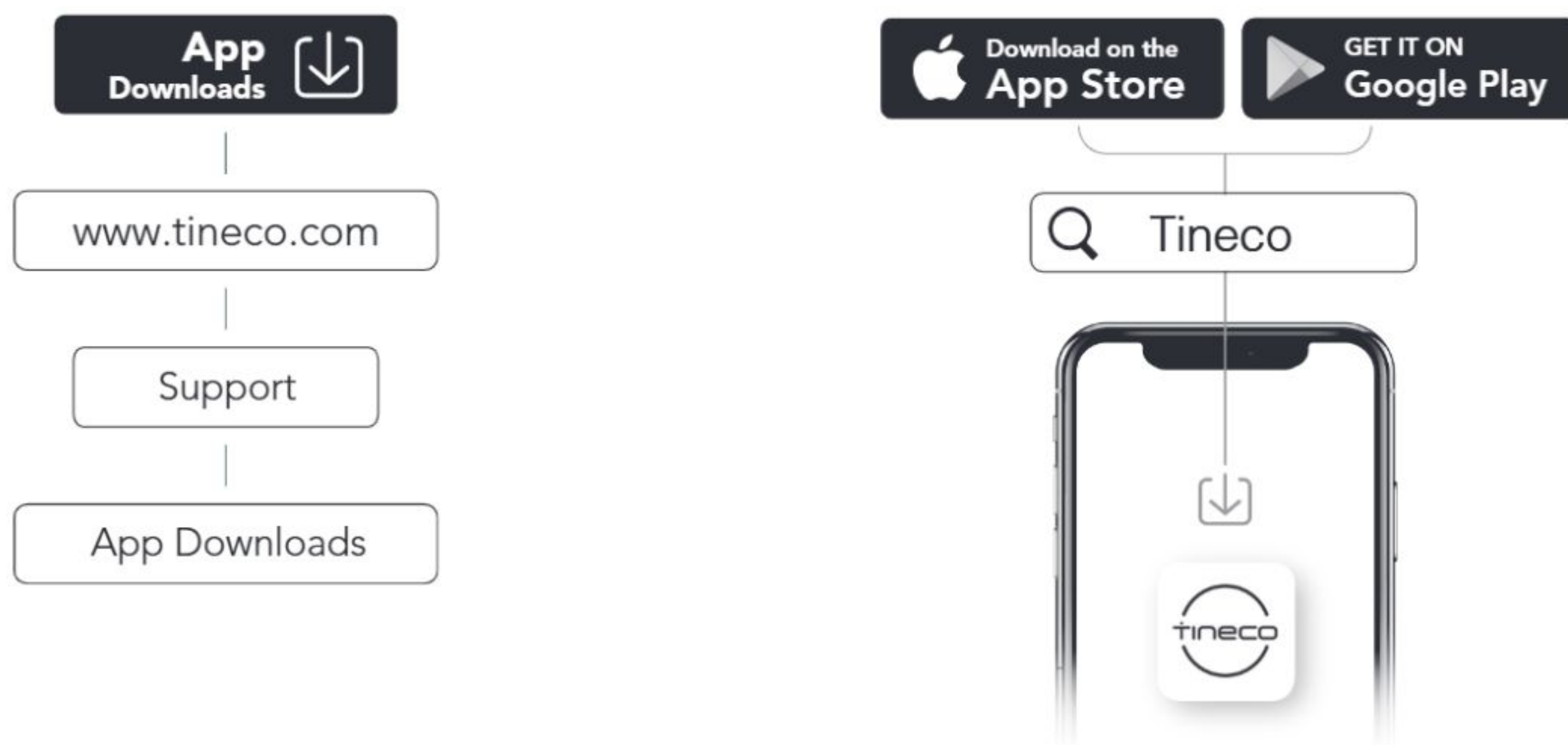
- Screen: battery level displays for 5 minutes, then screen off. Press any button to check the battery status while charging.
- 3D light display: the green light breathes 3 times.

Charging Time

- A full charge takes approximately 3.5 hours.
- Estimated data was obtained by Tineco Laboratory using ambient temperatures ranging from 39.2°F (4°C) to 104°F (40°C).

App

All the functions can be performed using the Tineco app. Download the Tineco app from App Store, Google Play and Tineco Official Site.



Note:

The default setting for voice prompt is English, you can set other languages via App.

Voice Prompt (Contents may vary, please in kind prevail.)

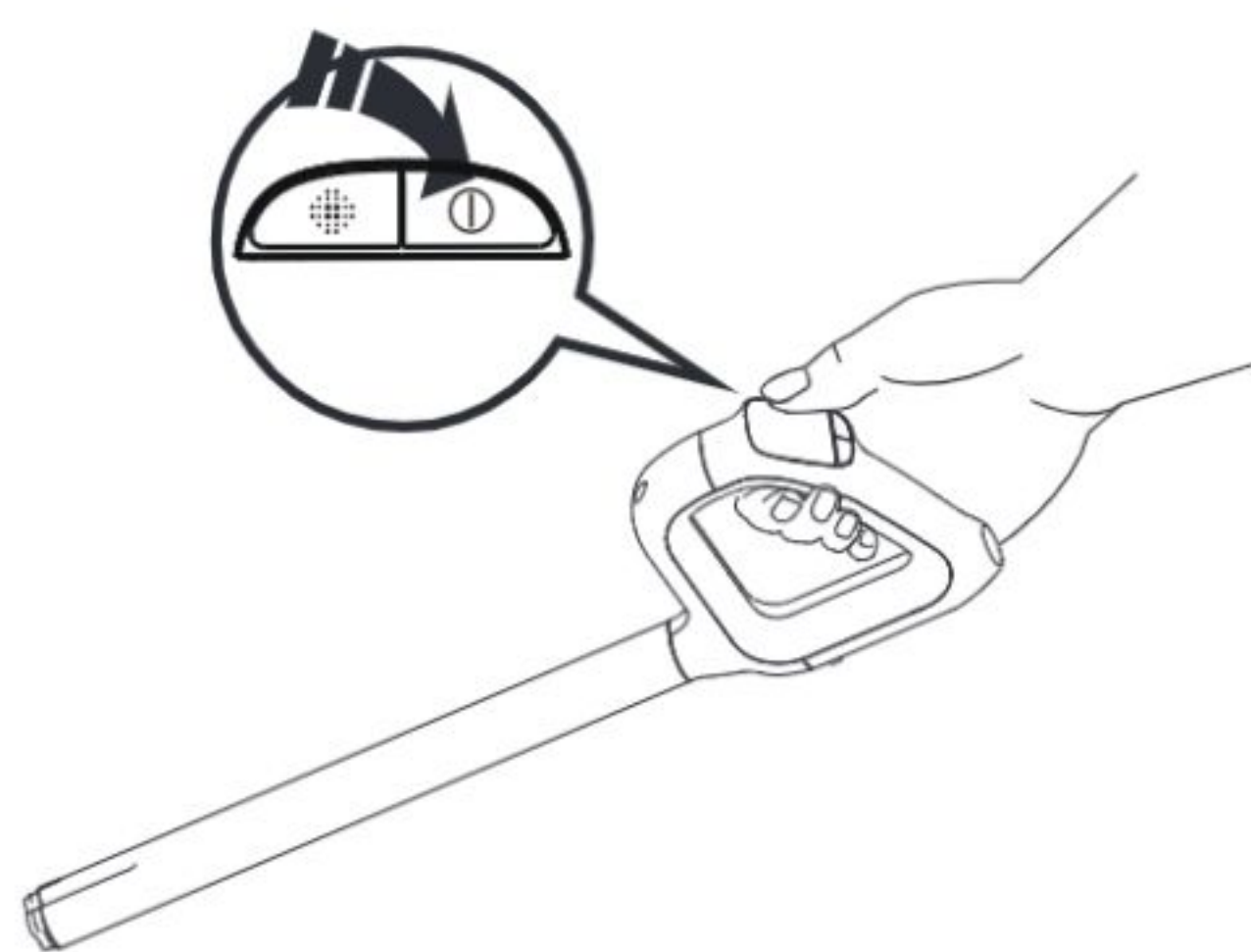
Status	Reminder
Voice prompts on	Voice prompts on.
Voice prompts off	Voice prompts off.
Auto mode by default	Auto mode.
Switch to Suction mode	Suction mode.
Switch to Max mode	Max mode.
Switch to Steam mode	Steam mode.
Battery level: 10~20%	Battery low.
Enter steam mode to begin steam preparation	Start preparing steam.
Battery level: 0~10%	Battery low. Please charge the appliance.
Clean Water Tank is empty	Insufficient water in the Clean Water Tank. Please add water.
Can not perform self-cleaning	Please place appliance on the charging dock to begin self-cleaning.
Dirty Water Tank is full	Dirty Water Tank full. Please empty.
Brush roller is tangled	Please clean the brush roller.
Power off	Powering off.
Battery insufficient for self-cleaning	Battery low. Please charge before initiating self-cleaning.
Cleaning the brush roller	Cleaning the brush roller.
Cleaning the pipe	Cleaning the pipe.
Deep cleaning	Deep cleaning.
Self-cleaning completed	Self-cleaning completed. Please empty and clean the Dirty Water Tank to prevent odors.
Start charging	Charging.
Insufficient water for self-cleaning	Please add water and start self-cleaning.

Maintenance

Note:

- For optimal performance and to prevent odors, always **clean** and **dry** DWT, CWT, filters, brush roller **completely** after each use.
- Please make sure each part is installed correctly or the appliance may not work properly.
- Do not soak the appliance or wash it under water.
- Some water may remain in the appliance due to factory inspection.
- After maintenance, place the appliance on the charging dock vertically. Do not expose the appliance to direct sunlight, and store it indoors in a dry place.

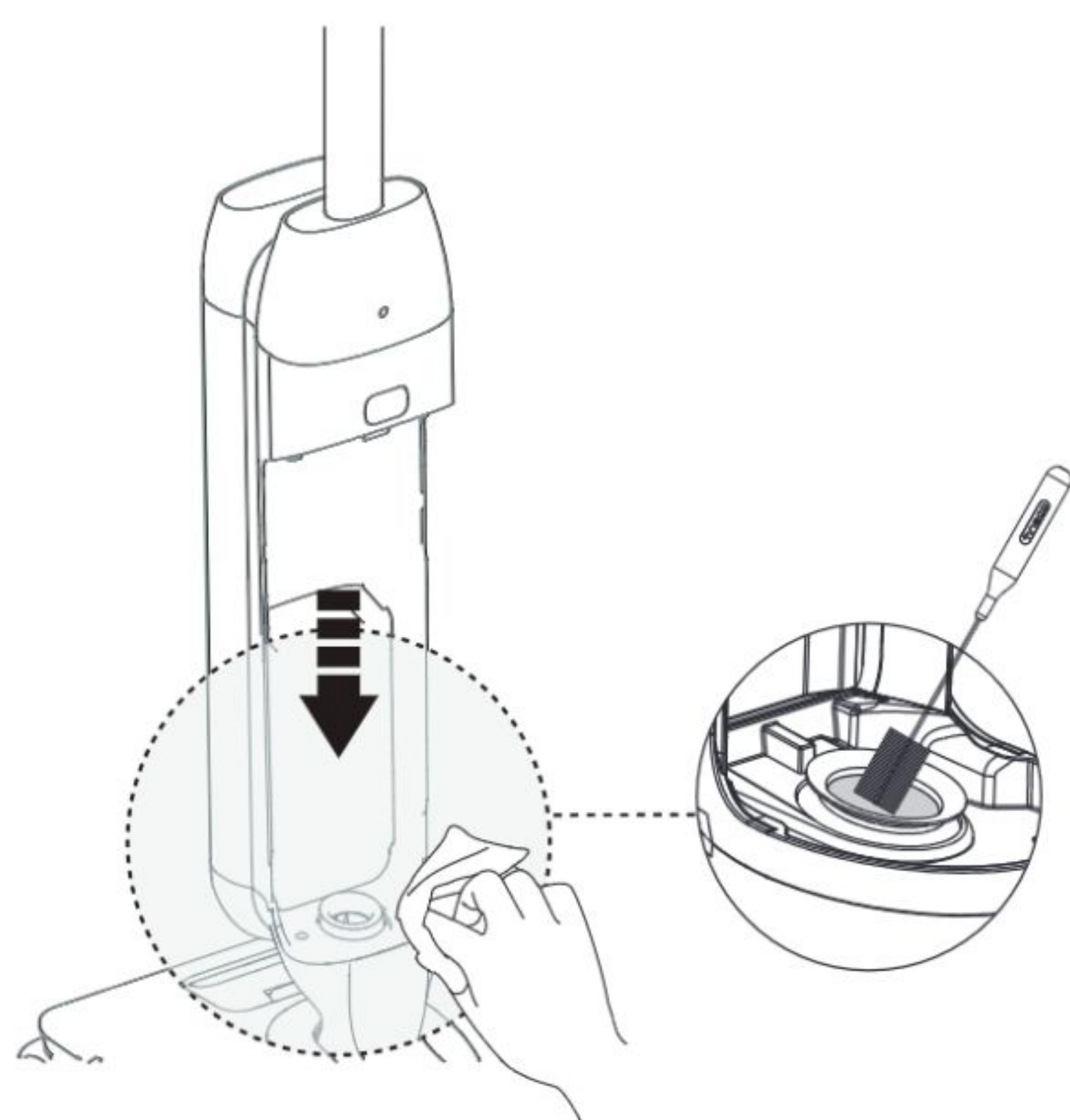
Main Body



To reduce the risk of injury, switch off before performing maintenance.

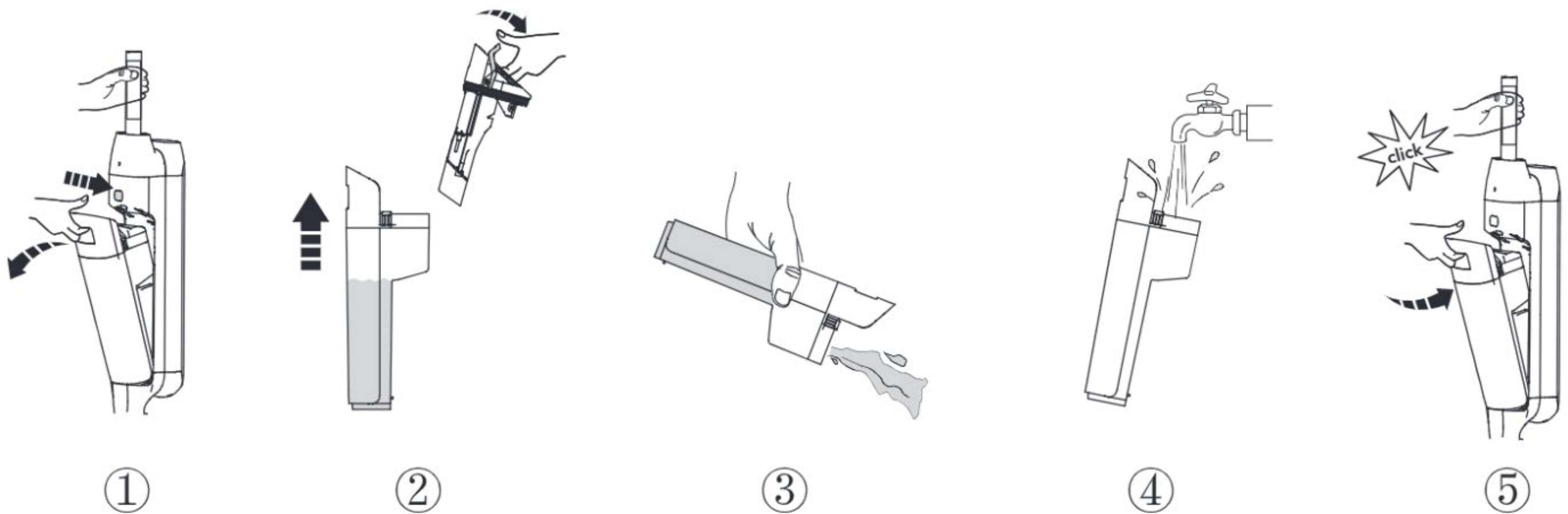


Use a cloth to clean the surface with a neutral detergent. The cloth should be dry to prevent water from entering the appliance.



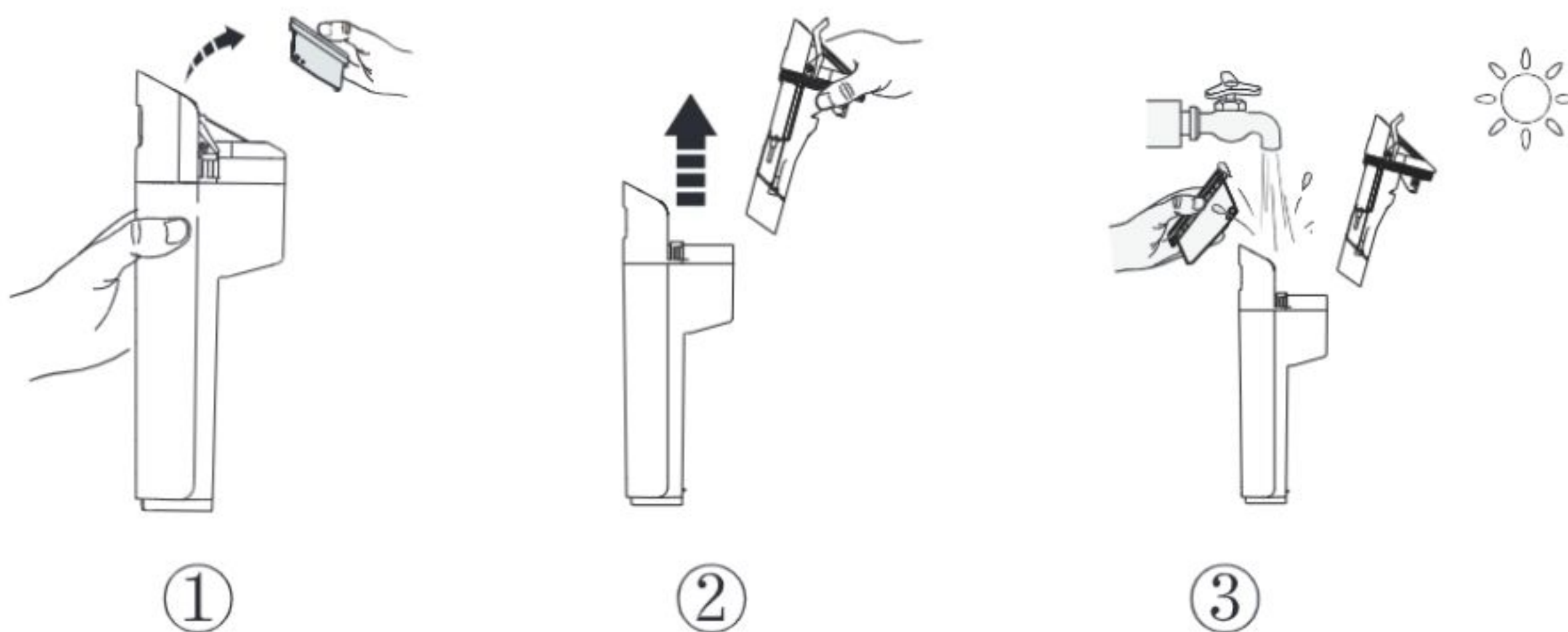
Clean the dirt sensor with a damp cloth or the cleaning tool.

Dirty Water Tank



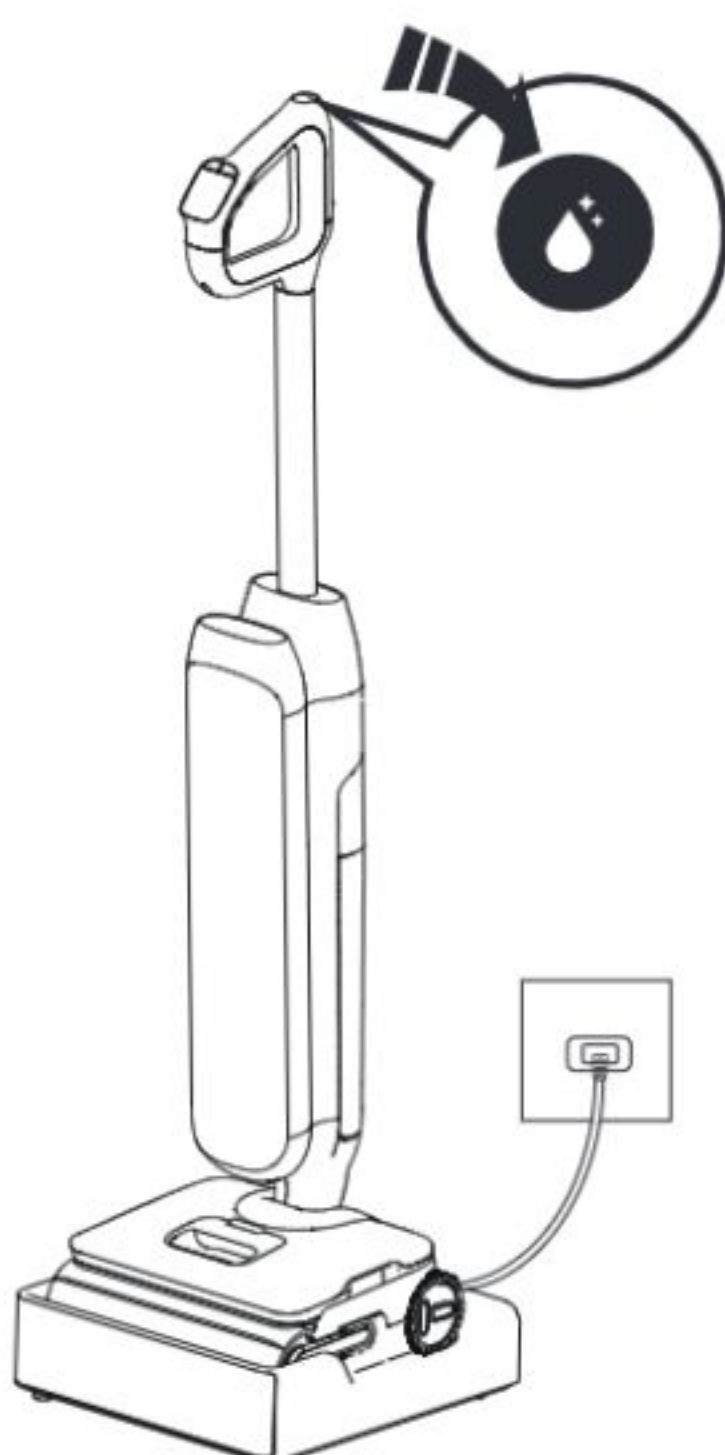
- When dirty water reaches the Max line, the appliance will stop working, show a reminder on the display and play a voice prompt.
- Pull the blue ring as shown and lift the tank lid to empty the DWT. Use the cleaning tool to remove remaining debris. Rinse the inside of the DWT and place back into the appliance.

Dry Filter & DWT Lid



- Grasp recessed area on each side of the dry filter and pull upward. Rinse under running water and must be completely dry before recombining with the lid of the DWT.
- * A spare dry filter is provided with your appliance for convenient replacement.

Brush Roller Self-cleaning



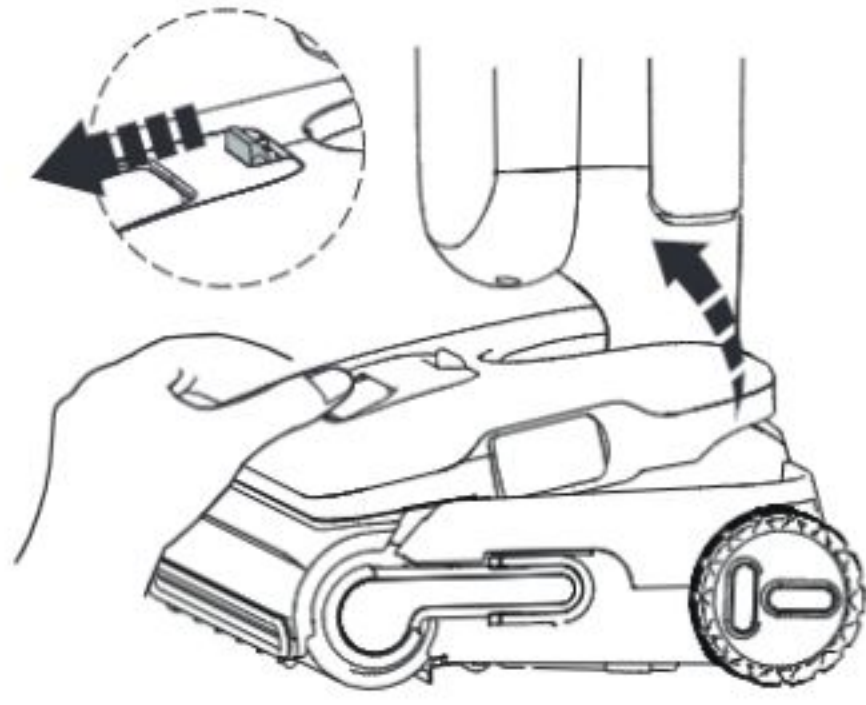
1. Place the appliance on the charging dock after use, the sensor will auto-detect the level of dirt.
2. When you hear the voice prompt "Please start self-cleaning", press the self-cleaning button and begin the process.
3. Once completed, you will hear the voice prompt "Self-cleaning completed, please clean the Dirty Water Tank." At this point, the appliance begins charging.

Note:

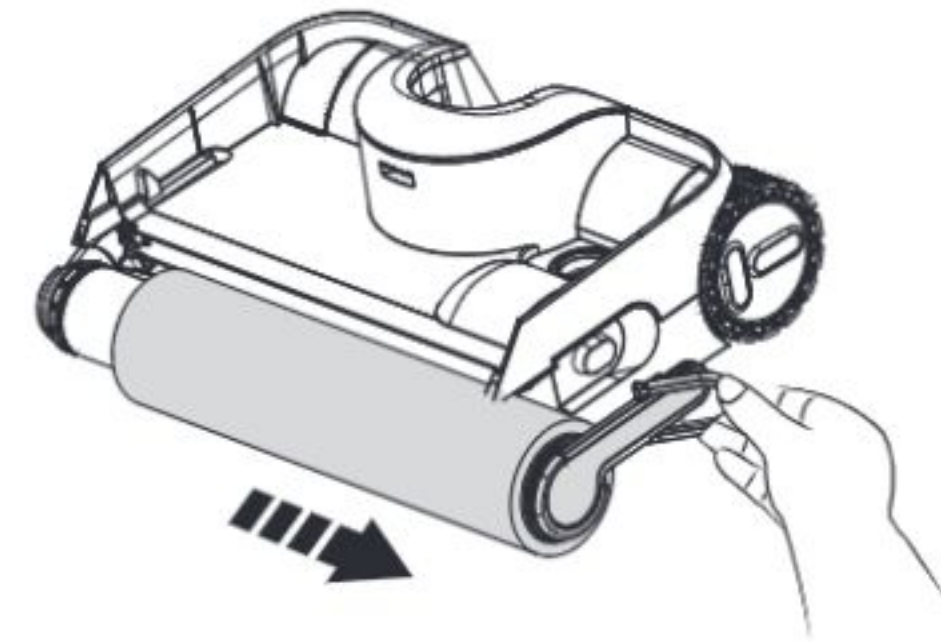
- Ensure the charging dock is plugged in and the battery level >18%.
- Before self-cleaning cycle, please clean the DWT and ensure the water level in the CWT >40%.

Brush Roller

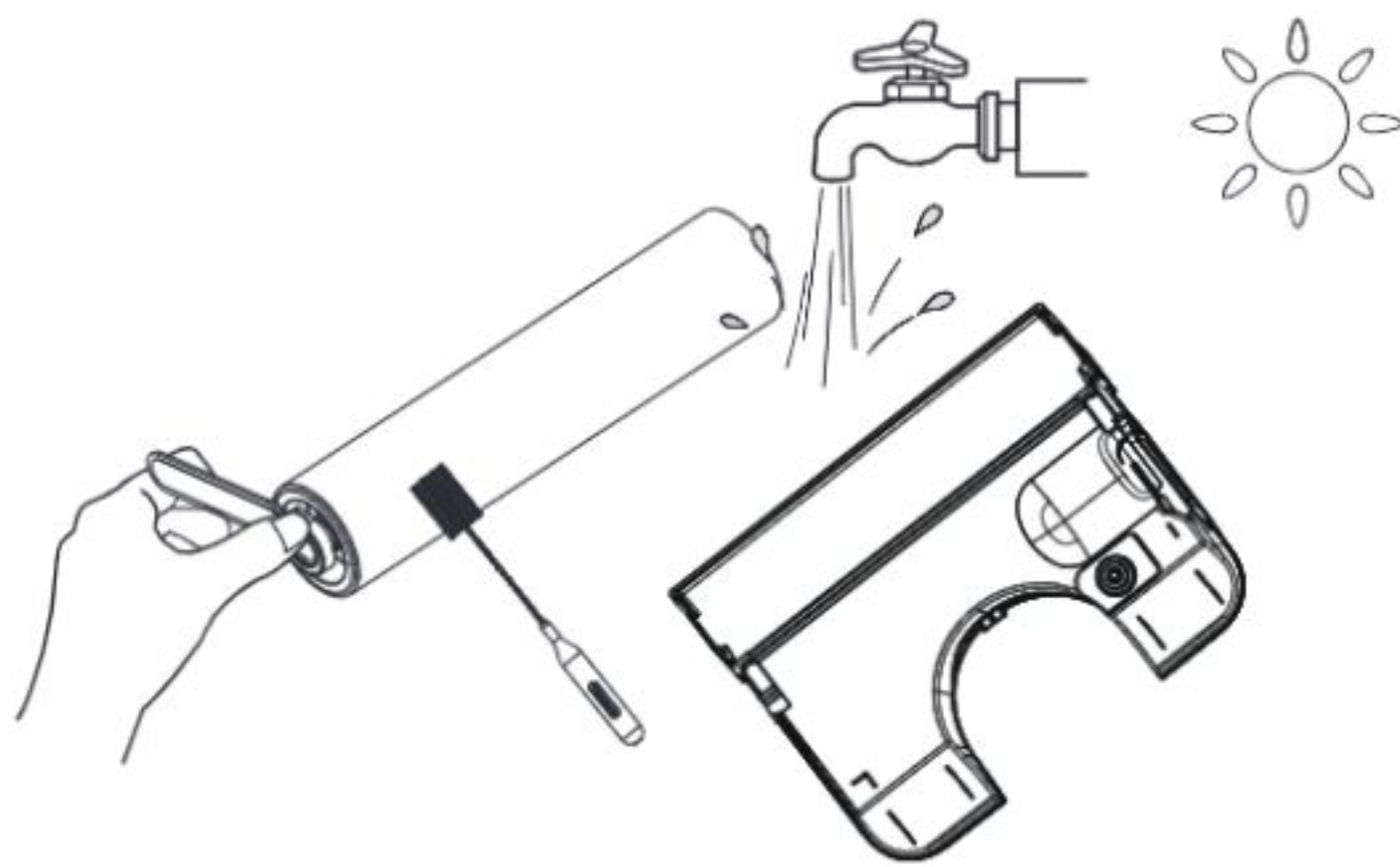
EN



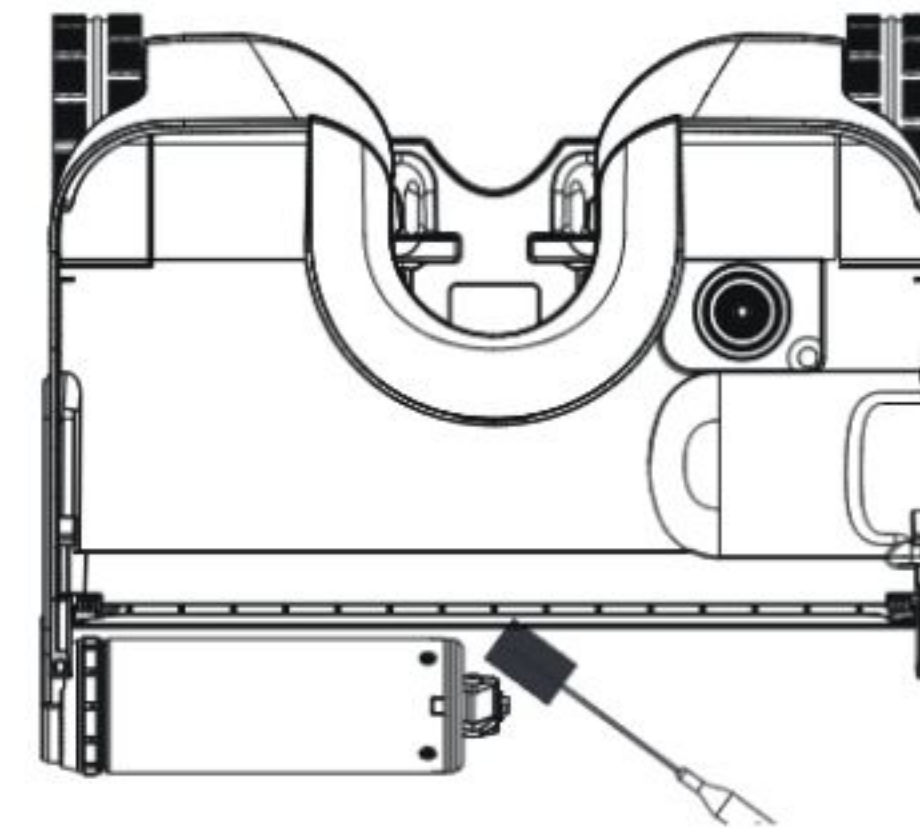
Press the Clean Water Tank release button to remove it from the appliance.



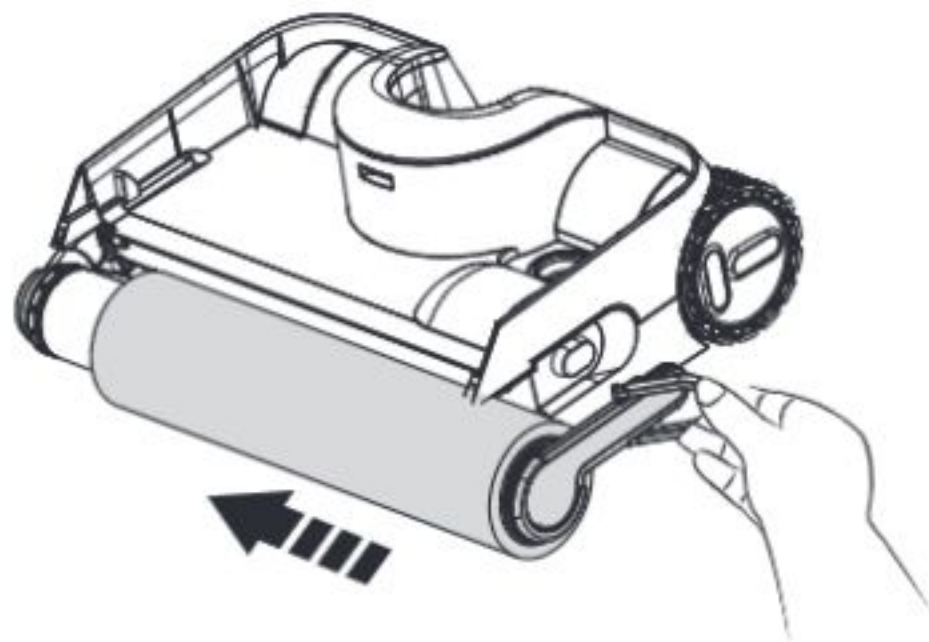
Remove the brush roller by grabbing the brush roller tab and pulling out.



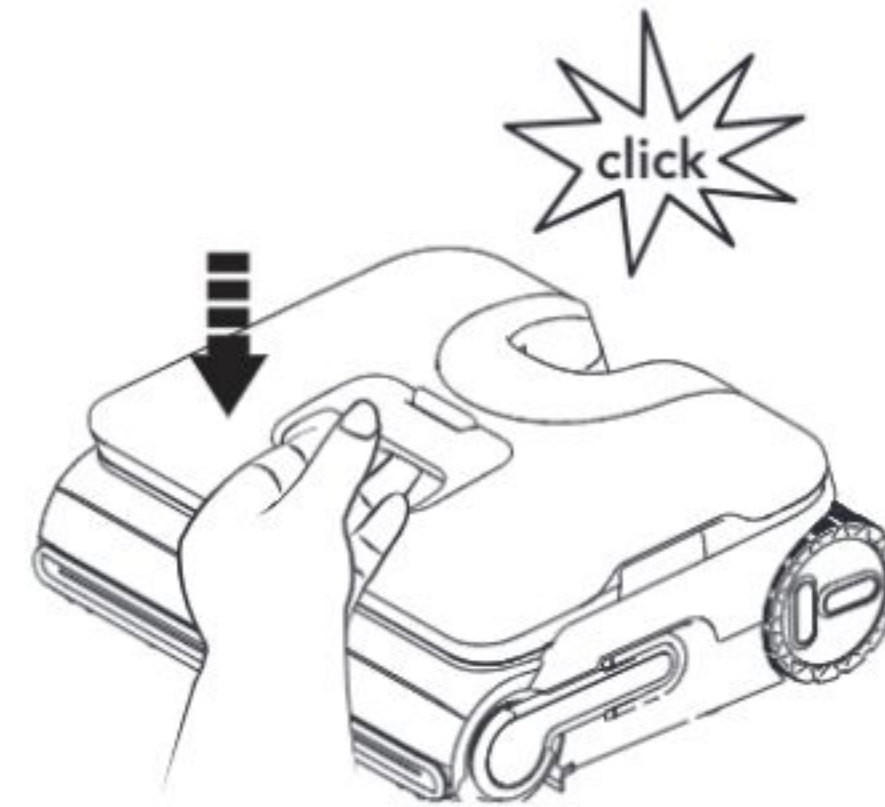
Use the cleaning tool to remove hair and debris wrapped around the roller and rinse the roller and back of the CWT with water. Allow them to dry completely before reinstalling.



Remove hair and debris from the brush roller chamber and the opening with the cleaning tool.

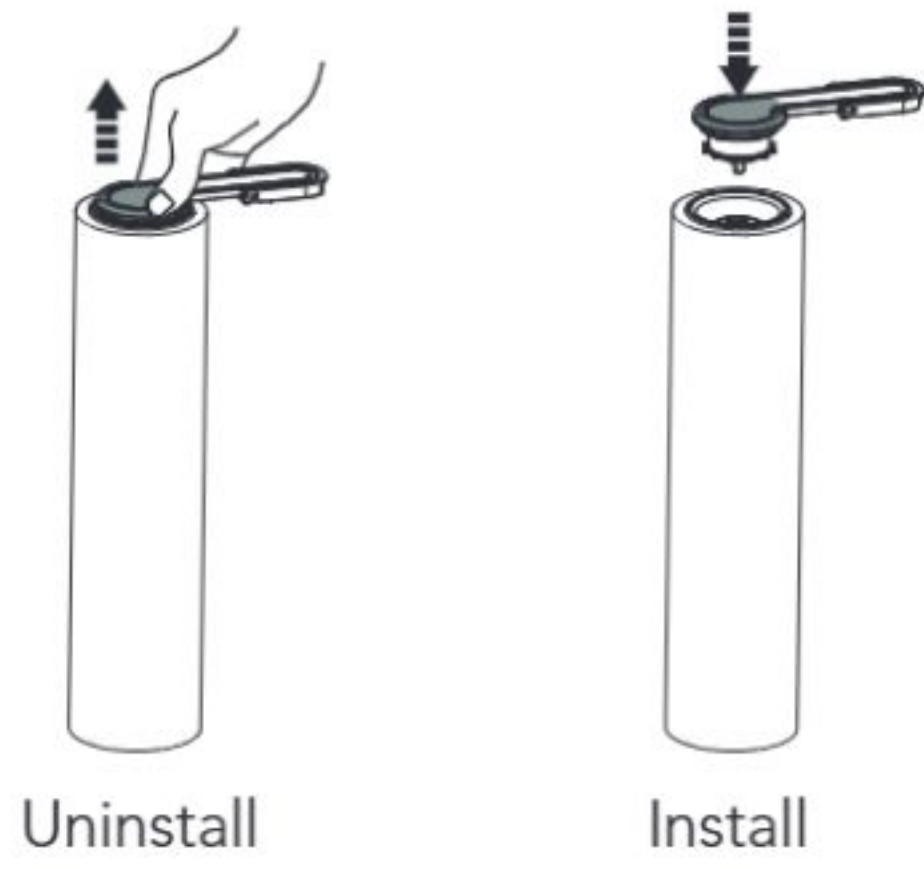


Replace the brush roller by inserting its end into the left side of the holder, then attach the roller tab to the magnetic buckle on the right side to lock into place.



Place the tank back into the appliance. You should hear a click if done correctly.

Brush Roller Replacement



Pull up the roller handle to remove it. Once removed, install the handle into the new brush roller.








When uninstalling, do not directly pull on the pull ring of the brush roller.

Note:

- A spare brush roller is provided with your appliance for convenient replacement.
- To maintain optimal performance, replace the brush roller every 6 months.

Troubleshooting

EN

Problem	Possible cause	Solution
The appliance does not turn on	<ol style="list-style-type: none"> 1. No power 2. Auto protection for overheating 3. The handle is not placed in properly 	<ol style="list-style-type: none"> 1. Charge the appliance 2. Restart after cooling down 3. Insert the handle to secure it firmly in place
Weak suction	The dry filter is not installed, or the dry filter is dirty	Install the dry filter or clean and allow it to dry completely
Brush roller tangled in animation  Voice prompt: Please clean the brush roller	The brush roller is blocked	Remove blockages
WiFi indicator off 	WiFi is not connected	Follow the in-app guide to connect to WiFi
CWT empty in animation  Voice prompt: Insufficient water in the Clean Water Tank. Please fill up water	<ol style="list-style-type: none"> 1. CWT is empty 2. CWT is not installed properly 	<ol style="list-style-type: none"> 1. Refill CWT 2. Reinstall CWT
DWT full in animation  Voice prompt: Dirty Water Tank is full. Please empty it	The dirty water in DWT has reached the MAX line	Empty the dirty water and then reinstall the DWT
Battery level < 10%  Voice prompt: Battery low. Please charge the appliance	Low power	Charge the appliance, or restart
All lights off in operation 	Motor malfunction, battery malfunction, charging abnormality	<ol style="list-style-type: none"> 1. Cool the appliance down and restart 2. Make sure the plug is properly inserted
Solid blue light in heavy dirty cleaning 	Dirt sensor malfunction or blocked	Remove blockages, clean the debris channel, or restart
Self-cleaning icon blinking	Brush roller is dirty	Start self-cleaning
Drying malfunction	Plug not inserted properly	Check if the plug is properly inserted or if the socket has power
	The brush roller is covered with hard-to-clean debris	Clean the brush roller
	The appliance is not placed properly	Reposition the appliance

Note:

If the above troubleshooting guide fails to provide a solution, please visit our website www.tineco.com for further support.

Warranty

2-YEAR LIMITED WARRANTY

- Only applies to purchases made from authorized retailers of Tineco.
- Is subject to the adherence of the requirements outlined in this instruction manual, and is subject to further conditions outlined below.
- This warranty is governed by and construed under the laws of the country in which the purchase took place. We provide 2-year warranty or a warranty period as stipulated by applicable local law, whichever is longer.

WHAT IS COVERED?

- Your Tineco appliance has a 2-year warranty against original defects in material and workmanship, when used for private household purposes in accordance with the Tineco Instruction Manual. Motorized accessories and battery bought separately come with a 1-year warranty.
- This warranty provides, at no extra cost to you, all labor and parts necessary to ensure your appliance is in proper operating condition during the warranty period.
- This warranty will only be valid if the appliance is used in the country in which it was sold.

WHAT IS NOT COVERED?

Tineco shall not be liable for costs, damages or repairs incurred as a result of:

- Appliances purchased from an unauthorized dealer.
- Careless operation or handling, misuse, abuse and/or lack of maintenance or use not in accordance with the Tineco Instruction Manual.
- Use of the appliance other than for normal domestic purposes, e.g. for commercial or rental purposes.
- Use of parts not in accordance with the Tineco Instruction Manual.
- Use of parts and accessories other than those produced or recommended by Tineco.
- External factors unrelated to product quality and use, such as weather, modifications, accidents, electrical outages, power surges or acts of God.
- Repairs or alterations carried out by unauthorized parties or agents.
- Failing to clear blockage and other hazardous material from the appliance.
- Normal wear and tear, including normal wearing parts, such as clear bin, belt, filter, HEPA, brush bar, and power cord (or where external damage or abuse is diagnosed), carpet or floor damage due to use not in accordance with manufacturer's instructions or failure to turn the brush bar off when necessary.
- Reduction in battery discharge time due to battery age or use.

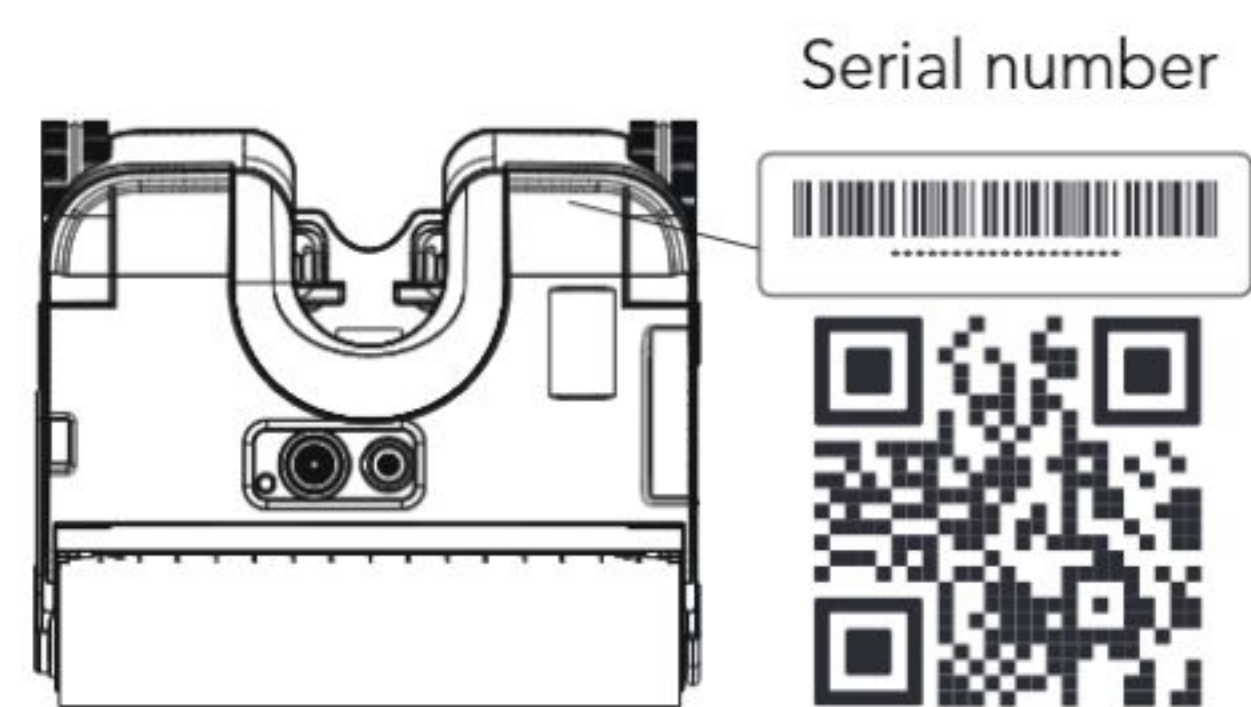
WARRANTY LIMITATIONS

- Any implied warranties relating to your appliance including but not limited to warranty of merchantability or warranty of fitness for a particular purpose, are limited to the duration of this warranty.
 - Warranty coverage applies to the original owner and to the original battery only and is not transferable.
 - This limited warranty gives you specific legal rights. You may also have other rights which vary by region.
 - Manufacturer's warranties may not apply in all cases, depending on factors such as use of the product, where the product was purchased, or who you purchased the product from.
- Please review the warranty carefully, and contact the manufacturer if you have any questions.

WARRANTY SERVICE

Register: We highly recommend that upon purchase, you register your appliance by logging into our official website (www.tineco.com) or scanning the QR code (see right) to enjoy more exclusive benefits. To register, please enter the whole serial number (found after removing the clean water tank).

Failure to register your product won't diminish your warranty rights.



How to Claim: Please retain your proof of purchase. To make a claim under our Limited Warranty, you need to provide your serial number and the original purchase receipt with the purchase date and order number on it.

All work will be carried out by Tineco or its authorized agency.

Any replaced defective parts will become the property of Tineco.

Service under this warranty will not extend the period of this warranty.

Contact our Customer Service
Hotline: **1-855-292-8864**
or Visit Tineco website
www.tineco.com
for expert customer service.

CONTENIDO

Medidas importantes de seguridad	26
Especificaciones.....	32
Descripción general	33
Accesorios	34
Montaje	35
Funcionamiento	36
Mantenimiento	43
Resolución de problemas	47
Garantía	48

Medidas importantes de seguridad

CONSERVE ESTAS INSTRUCCIONES

Solo para uso doméstico.

Solo para uso en interiores.

Al usar aparatos eléctricos, se debe seguir siempre una serie de medidas básicas de seguridad, entre ellas las que se indican a continuación.

LEA TODAS LAS INSTRUCCIONES ANTES DE USAR ESTE APARATO. De no seguir todas las advertencias e instrucciones, se podrían producir descargas eléctricas, incendios o lesiones personales graves.

ADVERTENCIA – Para disminuir el riesgo de incendios, descargas eléctricas o lesiones:

1. Para el mercado de la UE: Este aparato puede ser utilizado por niños a partir de 8 años y personas con discapacidades físicas, sensoriales o mentales, o con falta de experiencia y conocimientos, si están supervisados o han recibido instrucciones sobre el uso del aparato de modo seguro y comprenden los peligros que dicho uso acarrea. Los niños no deben jugar con el aparato. La limpieza y mantenimiento a cargo del usuario no deben ser realizados por niños sin supervisión.
2. Para mercados distintos al de la UE: El aparato no debe ser utilizado por personas (niños incluidos) con discapacidades físicas, sensoriales o mentales, o con falta de experiencia y conocimientos, a menos que lo hagan bajo supervisión o se les haya dado instrucciones.
3. Use el aparato únicamente en interiores, sobre superficies de suelo sin alfombras como vinilo, azulejos, madera barnizada, etc. Tenga cuidado de no pasar por encima de objetos sueltos ni bordes de alfombras. Si el cepillo se atasca, puede producirse un fallo prematuro de la correa.
4. No permita que se utilice el aparato como un juguete. Es necesario vigilar atentamente el aparato cuando lo usen niños o se utilice cerca de niños, mascotas o plantas.
5. Use el aparato solo como se indica en este manual. Use solo accesorios recomendados por el fabricante.
6. No use el aparato si el cable o el enchufe están dañados. Si el aparato se ha caído o dañado, se ha dejado a la intemperie, ha caído al agua o no funciona como debiera, llévelo a un centro de servicio.
7. No manipule el cargador, incluido el enchufe del cargador, ni los terminales del cargador con las manos mojadas.
8. No introduzca ningún objeto en las aberturas. No use el aparato si alguna de sus aberturas está obstruida. Manténgalo libre de polvo, fibras, pelo y cualquier elemento que pudiera reducir el flujo de aire.
9. Mantenga el pelo, la ropa holgada, los dedos y todas las partes del cuerpo alejados de las aberturas y partes móviles.
10. Tenga mucho cuidado al limpiar escaleras.
11. No aspire líquidos inflamables o combustibles, tales como gasolina, ni lo use en lugares donde pudieran estar presentes.

12. No aspire nada que se esté quemando o humeando como, por ejemplo, cigarrillos, cerillas o cenizas.
13. No use el aparato sin el filtro.
14. Evite puestas en marcha accidentales. Verifique que el interruptor está en posición de apagado antes de tomar el aparato o desplazarlo. Llevar el aparato con el dedo en el interruptor o activar el aparato que tiene el interruptor en posición de encendido puede originar accidentes.
15. Apague siempre el aparato antes de realizar ajustes, cambiar accesorios o almacenarlo. Tales medidas preventivas disminuyen el riesgo de poner el aparato en funcionamiento por accidente.
16. Cargue únicamente con la base de carga especificada por Tineco. Una base de carga adecuada para un tipo de batería puede crear riesgo de incendio si se utiliza con otro tipo de batería.
17. Use los aparatos solo con las baterías Tineco especialmente indicadas para ellos. El uso de cualquier otro tipo de batería puede presentar riesgos de incendio y lesiones personales.
18. Si se hace un mal uso de la batería, el líquido de su interior podría salirse. Evite el contacto con ese líquido. Si hubiera un contacto accidental, lávese con agua abundante. Si el líquido entra en contacto con los ojos, solicite ayuda médica. El líquido que sale de la batería puede causar irritación o quemaduras.
19. No use la batería ni el aparato si estuvieran dañados o modificados. Las baterías dañadas o modificadas pueden presentar comportamientos impredecibles y causar un incendio, explosión o riesgo de lesiones personales.
20. No exponga la batería ni el aparato al fuego o al calor excesivo. Su exposición al fuego o a temperaturas superiores a 130 °C puede causar una explosión.
21. Siga todas las instrucciones de carga y no cargue la batería ni el aparato a temperaturas fuera del rango especificado en las instrucciones. Una carga incorrecta o a una temperatura fuera del rango especificado puede dañar la batería y aumentar el riesgo de que se produzca un incendio.
22. Las reparaciones deben ser realizadas por personal cualificado que utilice únicamente piezas de repuesto idénticas a las originales. Esto garantizará que la seguridad del producto se mantenga.
23. Este aparato contiene células de batería no reemplazables. No modifique ni trate de reparar el aparato ni la batería, a excepción de lo indicado en las instrucciones para su uso y cuidados.
24. Apague siempre el aparato antes de conectar o desconectar la boquilla motorizada.
25. No cargue ni guarde el aparato a la intemperie ni dentro de un vehículo. Cargue, guarde o use la batería únicamente en interiores secos donde la temperatura sea superior a 4 °C, pero inferior a 40 °C. El cargador solo es apto para usarse en interiores.
26. No utilice el aparato para recoger partículas ultrafinas, como cal, cemento, serrín, yeso en polvo o cenizas.
27. No utilice el aparato para recoger objetos afilados, como clavos metálicos, trozos de cristal, clips metálicos o alfileres.
28. No utilice el aparato para recoger sustancias químicas y materiales peligrosos, como disolventes, limpiadores de desagües, ácidos fuertes o álcali fuertes.
29. Deje de utilizar el aparato inmediatamente si se sobrecalienta, hace ruidos inusuales, produce olores inusuales, la succión es baja o gotea electricidad.

30. Apague el limpiador y desconéctelo de la toma de corriente para almacenarlo durante un tiempo prolongado.
31. Limpie siempre el depósito de agua sucia después de cada uso para evitar posibles obstrucciones que pudieran provocar una baja potencia de succión, sobrecalentamiento del motor o reducir la vida útil del aparato.
32. Después del uso, guarde el aparato adecuadamente en lugar seco en interiores.
33. No coloque ni sumerja el aparato en agua estancada ni intente limpiar zonas inundadas.
34. Todos los datos e instrucciones técnicas de este manual se basan en resultados de pruebas de laboratorio de Tineco o de terceros designados. La empresa se reserva todos los derechos de explicaciones finales.
35. Se debe desconectar el enchufe de la toma antes de limpiar o realizar el mantenimiento del aparato.
36. Podría presentarse un peligro si el aparato pisa el cable eléctrico.
37. No utilice el aparato si la profundidad del agua es superior a 5 mm por encima de la superficie.
38. No estire del cable para desenchufar el aparato. Agarre del enchufe, no el cable.
39. No estire ni lo transporte por el cable, ni utilice el cable como asa, no cierre puertas sobre el cable ni lo haga pasar por bordes o esquinas afilados. No coloque aparatos sobre el cable. Mantenga el cable apartado de las superficies calientes.
40. Cuando no esté usando la batería, manténgala alejada de objetos metálicos, tales como clips, monedas, llaves, clavos, tornillos y otros objetos metálicos pequeños que pudieran crear una conexión entre los terminales de batería. Cortocircuitar los terminales de la batería puede causar quemaduras o un incendio.
41. No deje el aparato sin supervisión cuando esté enchufado. Desenchúfelo de la corriente cuando no lo use y antes de repararlo.
42. Si el cable eléctrico está dañado, debe reemplazarlo el fabricante, su agente de servicio o una persona con cualificaciones similares para evitar riesgos.
43. La batería debe retirarse del aparato antes de desguazarlo.
44. El aparato debe desconectarse de la red eléctrica cuando se extraiga la batería.
45. La batería debe desecharse de forma segura.
46. No añada ninguna solución en el modo Steam.
47. Utilice solo el cargador modelo AA2460.
48. Para una aspiradora con un accesorio limpiador de vapor:
 - (1) Desenchúfela de la toma de corriente antes de llenarla, enjuagarla o limpiarla. No rellene por encima del nivel de llenado.
 - (2) No abra el tapón de llenado de agua cuando utilice el accesorio de limpieza a vapor
 - (3) No vuelque la boquilla de limpieza a vapor, ni toque la superficie inferior de la boquilla cuando utilice el accesorio de limpieza a vapor.
 - (4) Utilice únicamente agua para rellenar el depósito. No utilice ningún tipo de químicos ni aditivos
 - (5) No aplique vapor directamente a ninguna persona ni animal.
 - (6) No toque la boquilla de limpieza a vapor ni las superficies adyacentes cuando limpie con vapor o cuando la boquilla esté caliente.

Ámbito de empleo

1. El limpiador inalámbrico para suelos duros se debe utilizar en suelos duros interiores, como vinilo, azulejos, madera barnizada, etc. Puede que su uso en superficies rugosas no dé resultados óptimos.
2. Mantenga el aparato alejado de fuentes de calor, como chimeneas o radiadores, para evitar la deformación de la carcasa.
3. No utilice el aparato para recoger líquidos inflamables o combustibles, partículas ultrafinas, objetos afilados, materiales peligrosos, productos químicos o cualquier elemento que esté ardiendo o emita humo, tal como se ha descrito anteriormente.

Acercas del aparato

1. No modifique ni trate de reparar el aparato, a excepción de lo indicado en las instrucciones para su uso y limpieza.
2. El aparato solo debe utilizarse con la fuente de alimentación suministrada. Se debe desconectar el enchufe de la toma antes de limpiar o realizar el mantenimiento del aparato.
3. Tenga mucho cuidado al limpiar escaleras.
4. Verifique que el interruptor de encendido está en posición de apagado antes de tomar el aparato o desplazarlo. No deje el aparato tumbado ni inclinado para evitar que entre agua sucia en el motor.
5. Para evitar tropezar accidentalmente con el aparato, colóquelo en la base de carga.
6. Instale siempre correctamente el depósito de agua sucia y el depósito de agua limpia antes del uso.
7. No permita que el aparato o la base de carga se mojen para evitar el riesgo de incendio o lesiones causadas por un cortocircuito.

Acercas de la base de carga y secado

(Aplicable a modelos con función de secado).

1. **ADVERTENCIA** – No lo sumerja en agua.
2. **PRECAUCIÓN** – Superficie caliente. Evite el contacto durante el uso.
3. Este aparato tiene un enchufe polarizado (un clavo es más ancho que el otro). El enchufe solo puede insertarse en una toma polarizada de una manera para reducir el riesgo de descarga eléctrica. Si el enchufe no encaja completamente, inviértalo. Si sigue sin encajar, póngase en contacto con un electricista cualificado. No modifique el enchufe de ninguna manera.

Declaración de conformidad de la FCC del proveedor

SERIE FLOOR ONE S9 ARTIST STEAM

Este dispositivo cumple las disposiciones de la sección 15 de la normativa de la FCC. Su funcionamiento está sujeto a las dos condiciones siguientes:

(1) el dispositivo no puede causar interferencias perjudiciales; y (2) el dispositivo debe aceptar cualquier interferencia recibida, incluidas las que puedan dar lugar a un funcionamiento no deseado.

TINECO INTELLIGENT, INC.

1700 WESTLAKE AVENUE N., SUITE 200, SEATTLE, WA, 98109, EE. UU.

WWW.TINECO.COM

1-855-292-8864

Los cambios o modificaciones no aprobados expresamente por la parte responsable del cumplimiento pueden anular la autoridad del usuario para utilizar el equipo.

Nota: Este equipo se ha sometido a pruebas y se ha determinado que cumple los límites establecidos para los dispositivos digitales de clase B de acuerdo con las disposiciones de la sección 15 de la normativa de la FCC. Estos límites están diseñados para proporcionar una protección razonable contra interferencias perjudiciales en una instalación residencial.

Este equipo genera, utiliza y puede irradiar energía de radiofrecuencia, por lo que si no se instala y se usa como se indica en estas instrucciones, podría producir interferencias perjudiciales en las comunicaciones por radio. Sin embargo, no se puede garantizar que no se produzcan interferencias en una instalación en particular. Si este equipo causa interferencias perjudiciales en la recepción de señales de radio o televisión (que se pueden detectar apagando y encendiendo el dispositivo), recomendamos al usuario que intente corregir dichas interferencias siguiendo una o varias de las siguientes soluciones:

- (1) Cambie la orientación o la ubicación de la antena receptora.
- (2) Aumente la distancia entre el equipo y el receptor.
- (3) Conecte el equipo a una toma de corriente de un circuito diferente al que esté conectado el receptor.
- (4) Consulte al vendedor o a un técnico experto en radio y televisión para obtener ayuda.

Declaración de exposición a la radiación de la FCC

Este equipo cumple con los límites de exposición a la radiación establecidos por la FCC para un entorno no controlado. Este equipo debe instalarse y utilizarse a una distancia mínima de 20 cm entre el radiador y las partes del cuerpo.

Nota

El fabricante no se hace responsable de las interferencias de radio o televisión provocadas por modificaciones no autorizadas en este equipo. Dichas modificaciones podrían anular la autoridad del usuario para utilizar este equipo.

Nota de IC

Este aparato contiene transmisor(es)/receptor(es) sin licencia conformes a las normas RSS sin licencia de Innovation, Science and Economic Development Canada. Su funcionamiento está sujeto a las dos condiciones siguientes:

- (1) el aparato no puede causar interferencias; y
 - (2) el dispositivo debe aceptar cualquier interferencia, incluidas las que puedan dar lugar a un funcionamiento no deseado del aparato.
- Este aparato digital de clase B cumple con la normativa canadiense ICES-003.
 - Este equipo cumple con los límites de exposición a la radiación establecidos por la ISED RSS-102 para un entorno no controlado. Este equipo debe instalarse y utilizarse a una distancia mínima de 20 cm entre el radiador y las partes del cuerpo.

Especificaciones


Producto (aparato)	SERIE FLOOR ONE S9 ARTIST STEAM
Tensión	25,2 V \equiv 6250 mAh iones de litio
Potencia nominal	285 W
Tiempo de funcionamiento	aprox. 75 min
Tiempo de carga	3-3,5 h
Caudal de agua	20-100 ml/min
Capacidad del DAL	aprox. 0,88 l
Capacidad del DAS	aprox. 0,75 l (Estado horizontal: 0,6 l)
Resistente al agua	IPX4

Base de carga y secado

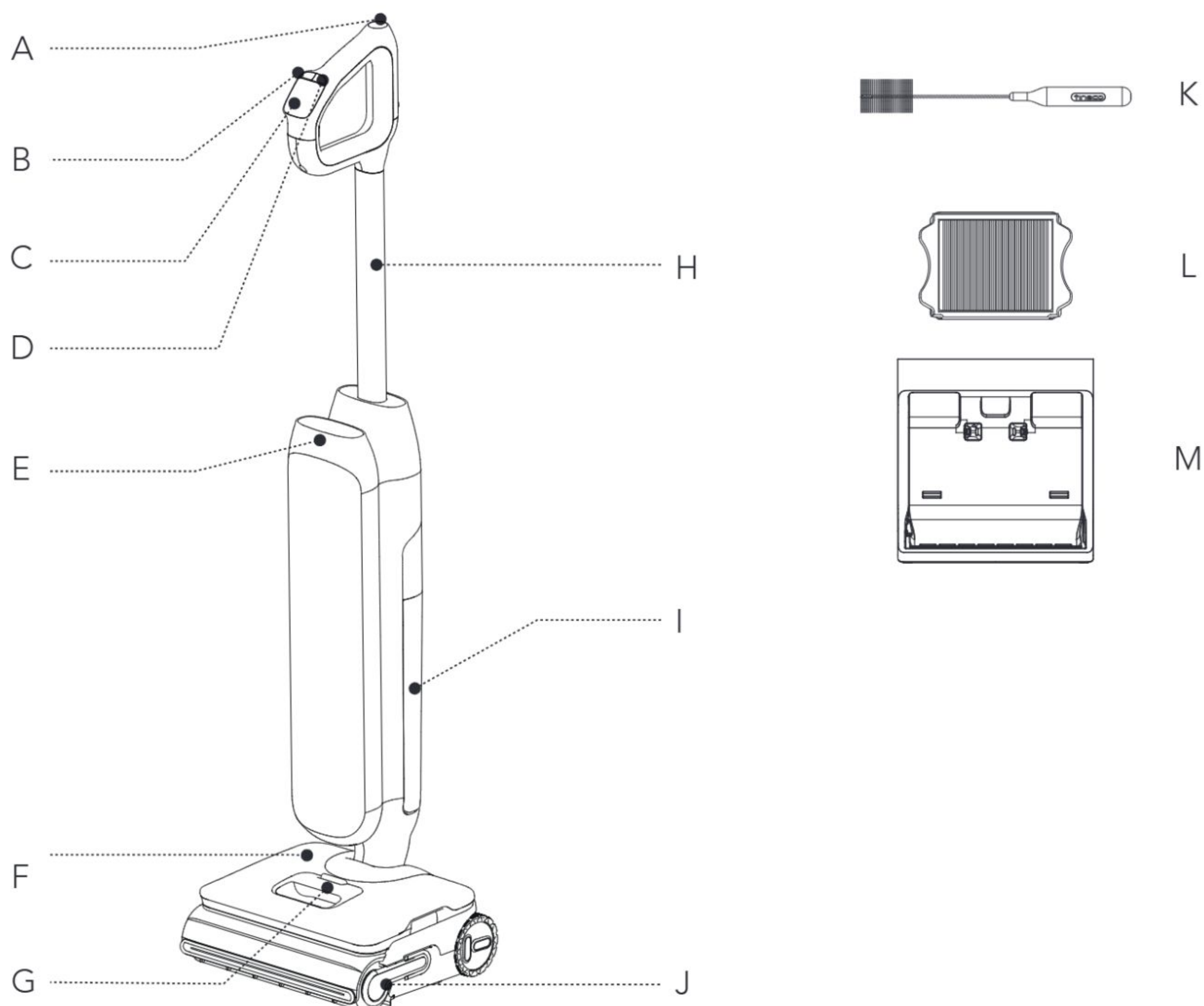
Entrada (secado)	120 V~ 60 Hz 5,2 A
Entrada (carga)	120 V~ 60 Hz 1 A
Salida	30 V \equiv 2 A

*Los datos de tiempo de funcionamiento estimados se han obtenido en un laboratorio Tineco.

Eliminación

- La batería contiene materiales dañinos para el medio ambiente y deben retirarse del aparato antes de desecharlo.
- Al retirar la batería, el aparato debe estar apagado.
- Las baterías, los cargadores, los accesorios y el embalaje deben clasificarse para reciclarlos de un modo respetuoso con el medio ambiente. No los arroje al fuego, al agua ni los entierre. No deseche las baterías ni los cargadores junto con la basura doméstica. 
- Si la batería presenta fugas y el líquido entra en contacto con la piel o la ropa, enjuáguelos inmediatamente con agua para evitar irritaciones y consulte con un médico.

Descripción general



- A. Botón de autolimpieza
- B. Modo interruptor
- C. Pantalla digital
- D. Encendido/apagado
- E. Pantalla de luz 3D
- F. Depósito de agua limpia (DAL)
- G. Liberación del depósito de agua limpia

- H. Tubo
- I. Depósito de agua sucia (DAS)
- J. Cepillo de rodillo
- K. Herramienta de limpieza
- L. Filtro seco
- M. Base de carga y secado

Accesorios

Nota:

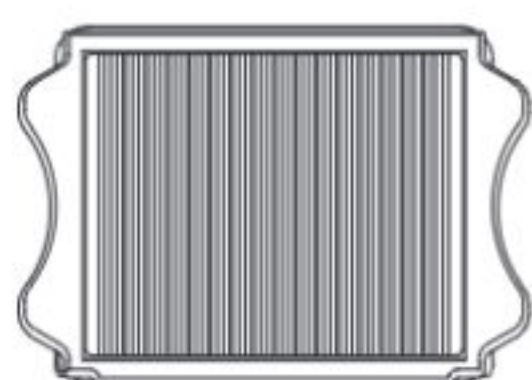
Los accesorios pueden variar según el mercado. Si necesita más accesorios, visite www.tineco.com o store.tineco.com.

ES



Cepillo de rodillo a prueba de calor

El suave cabezal de rodillo con cerdas se puede utilizar para aspirar y lavar al mismo tiempo. Se puede limpiar fácilmente con la función de autolimpieza.



Filtro seco

El filtro seco y la red del filtro pueden bloquear partículas grandes y restos para garantizar la durabilidad del aparato.

* Instale el filtro seco antes de usar el aparato, de lo contrario, podría producirse una succión débil.



Herramienta de limpieza

Un cepillo completo para limpiar el DAS, la cámara del cepillo y la abertura.

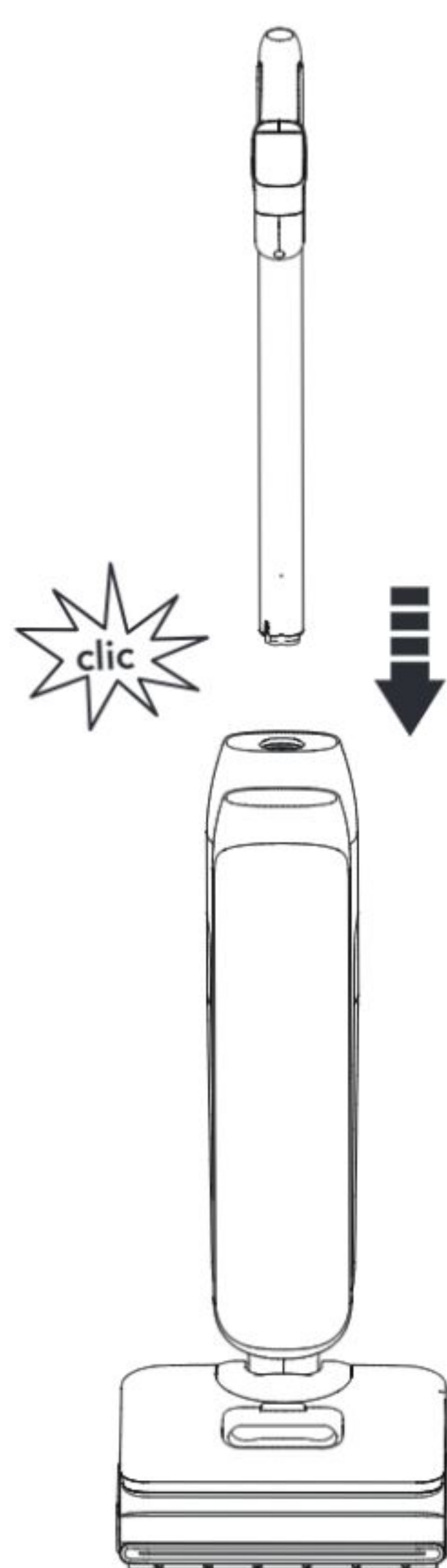
La herramienta también tiene un extremo de cerdas para eliminar la suciedad y el barro del rodillo y del DAS.

Montaje

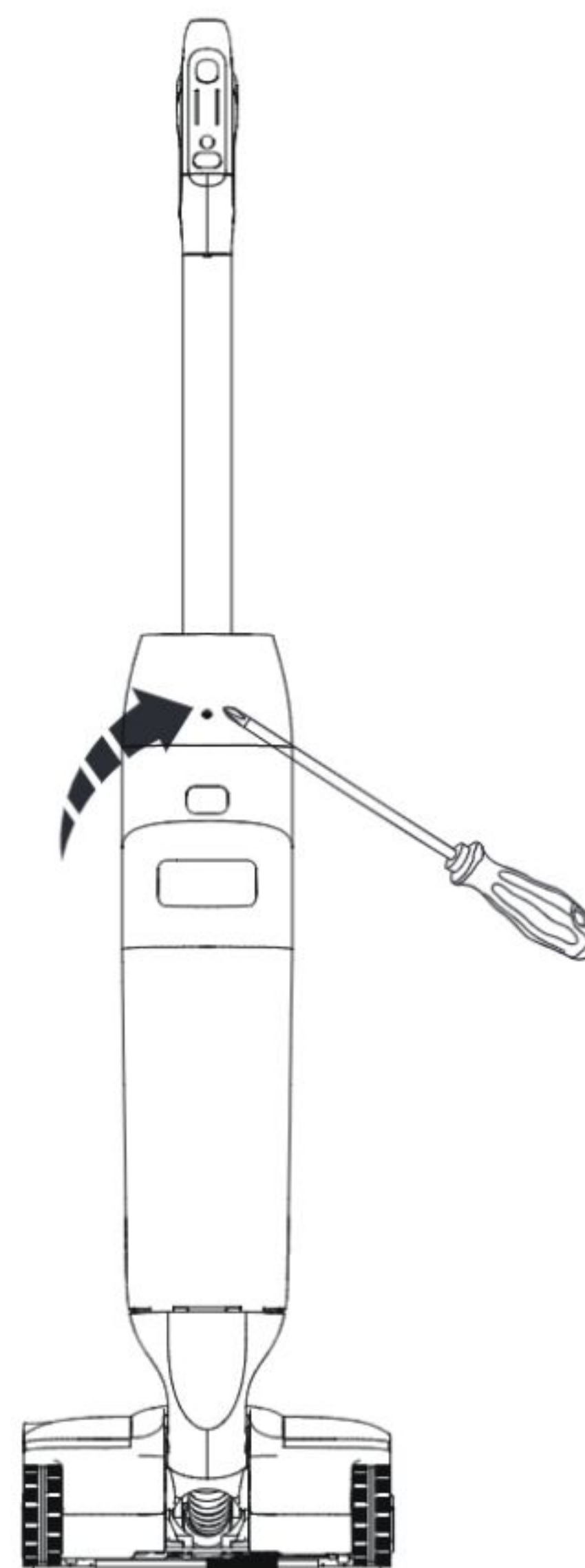
Montaje/desmontaje

Nota:

Para obtener información sobre el conjunto del cepillo y el depósito de agua, consulte los apartados de "Funcionamiento" y "Mantenimiento".



Para montar el asa, insértela en el aparato hasta que oiga un chasquido.



En caso de que se deba desmontar el asa, presione el resorte para liberar el asa con una herramienta (por ejemplo, un destornillador) y separe el asa del aparato una vez liberada.

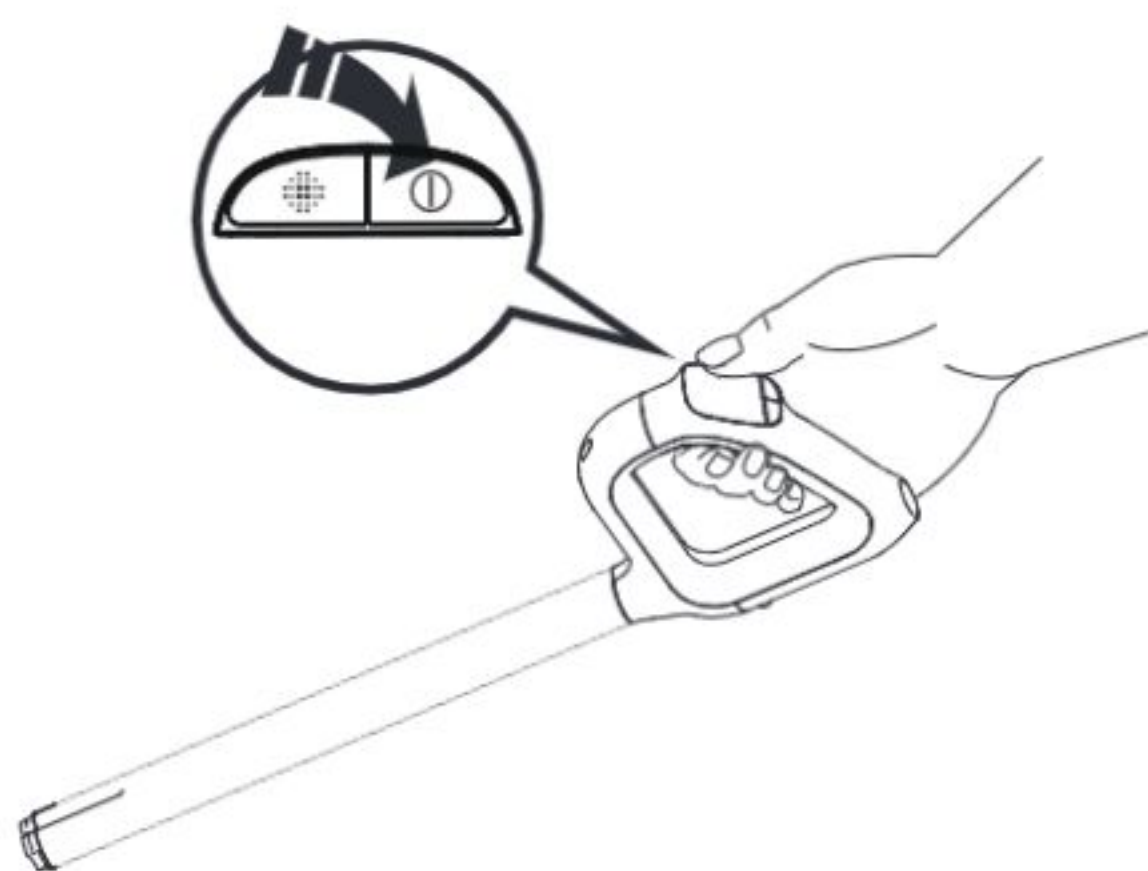
Funcionamiento



Preparación para el uso

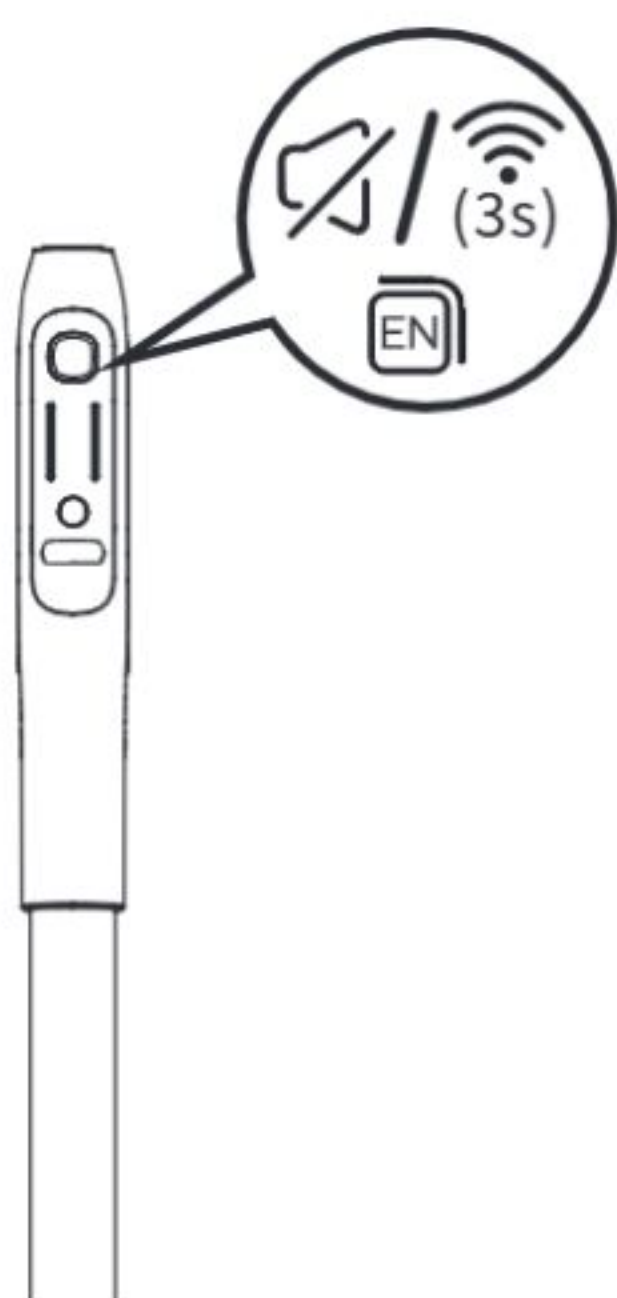
- Antes de utilizar el aparato por primera vez, cárguelo <3,5 horas (consulte "Instrucciones de carga" para obtener más información).

* Basado en los resultados de las pruebas de laboratorio de Tineco.

Temperatura de laboratorio: 4 °C-40 °C.

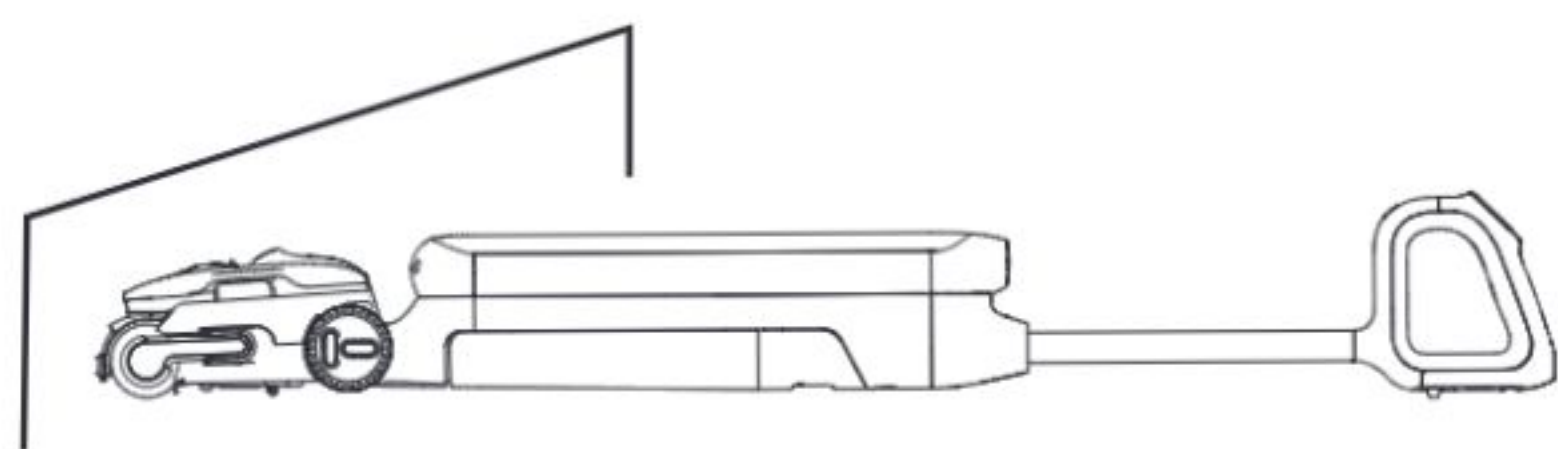


Si pulsa el botón  el aparato se iniciará en el modo AUTO de forma predeterminada. Púlselo de nuevo para apagar el aparato. Para cambiar entre los modos AUTO, MAX, STEAM y SUCTION, pulse el botón .

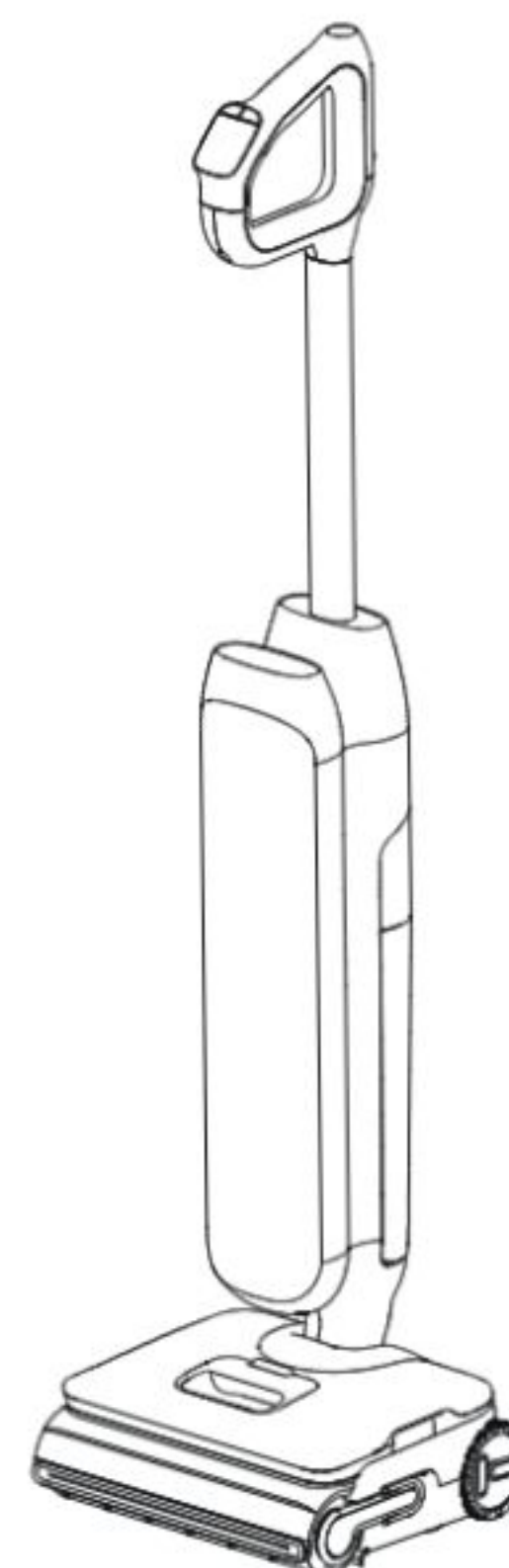


Botón de Wi-Fi/Silencio/Cambio de idioma

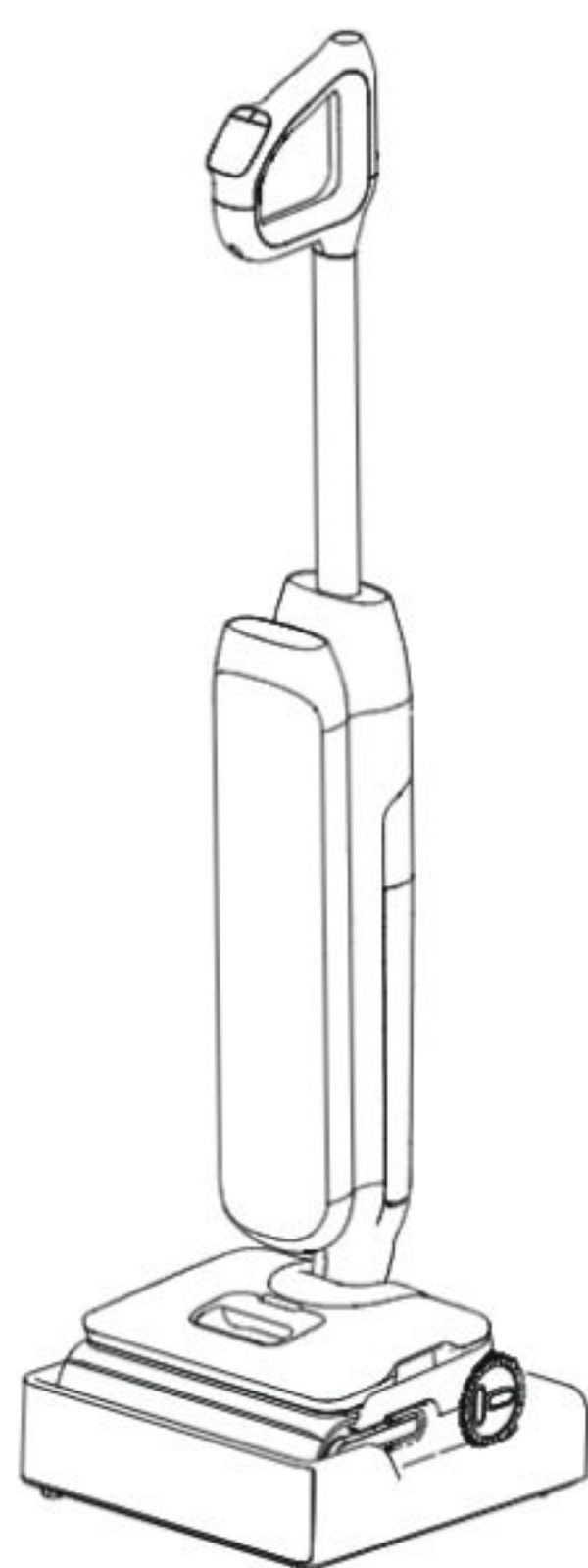
- Pulsación corta para ajustar el volumen.
- Pulse dos veces para cambiar de idioma. (Se añadirán más idiomas, consulte el producto real de momento.)
- Mantenga pulsado durante 3 segundos para conectar a la red.



Para limpiar debajo de la cama y los muebles, primero coloque el aparato en posición horizontal.



El aparato dejará de funcionar cuando se coloque en posición vertical y volverá a funcionar cuando se recline.

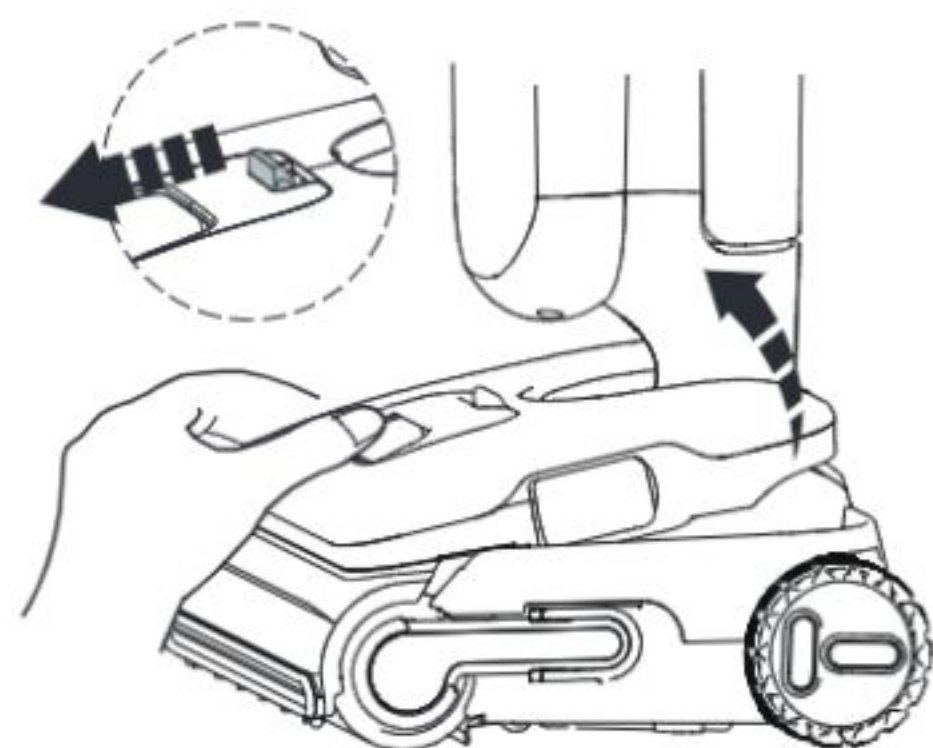


Después del uso, coloque el aparato en la base de carga en vertical para recargarlo y guardarlo.

Nota:

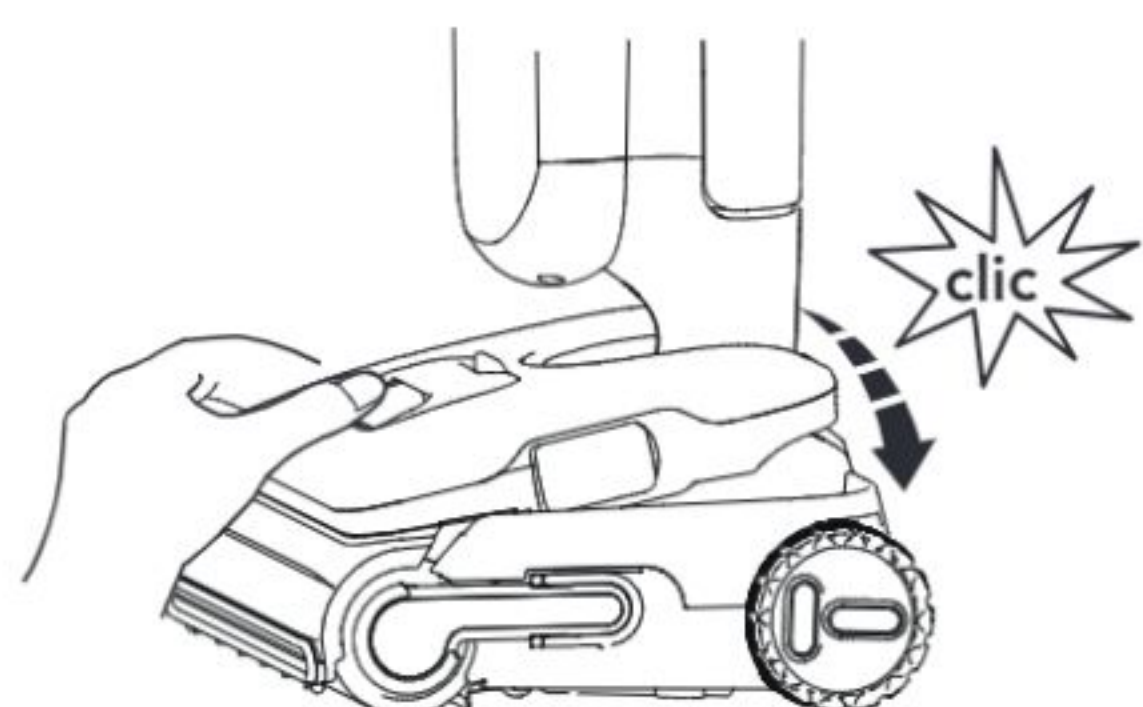
- Es fundamental elegir el modo adecuado según el contenido del depósito de agua limpia para lograr la mayor eficiencia de detección de suciedad.
- No aspire líquidos con espuma.
- Para aspirar el agua que queda en la superficie, el aparato seguirá funcionando 3 segundos después de la desconexión.

Llenado del depósito de agua limpia



Pulse el botón de liberación del depósito de agua limpia para sacarlo del aparato.

Abra el tapón del depósito y llénelo con agua del grifo.

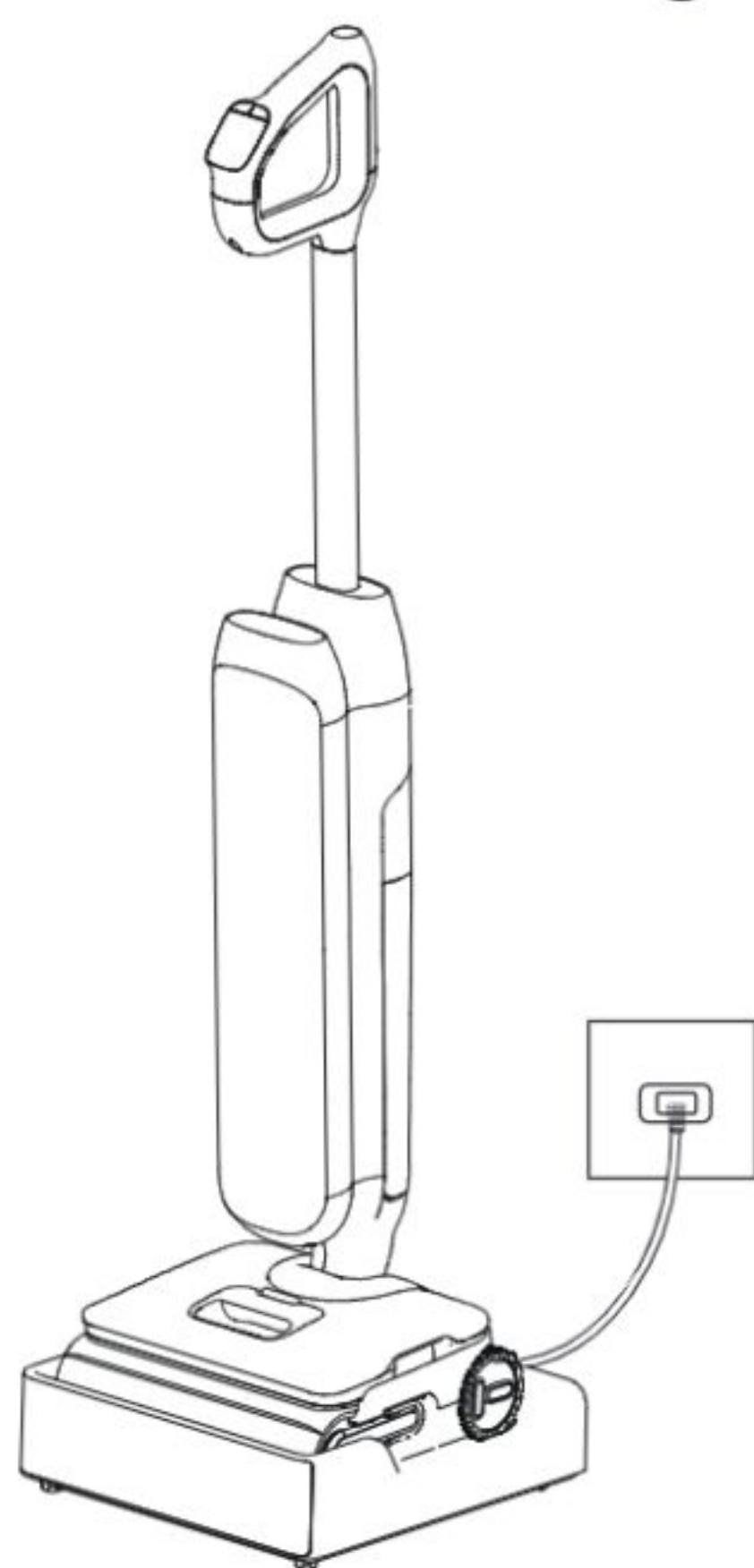


Vuelva a colocar el depósito en el aparato. Cuando lo haga correctamente se escuchará un chasquido.

Nota:

Utilice únicamente agua a menos de 60 °C.
NO UTILICE AGUA CALIENTE.

Instrucciones de carga



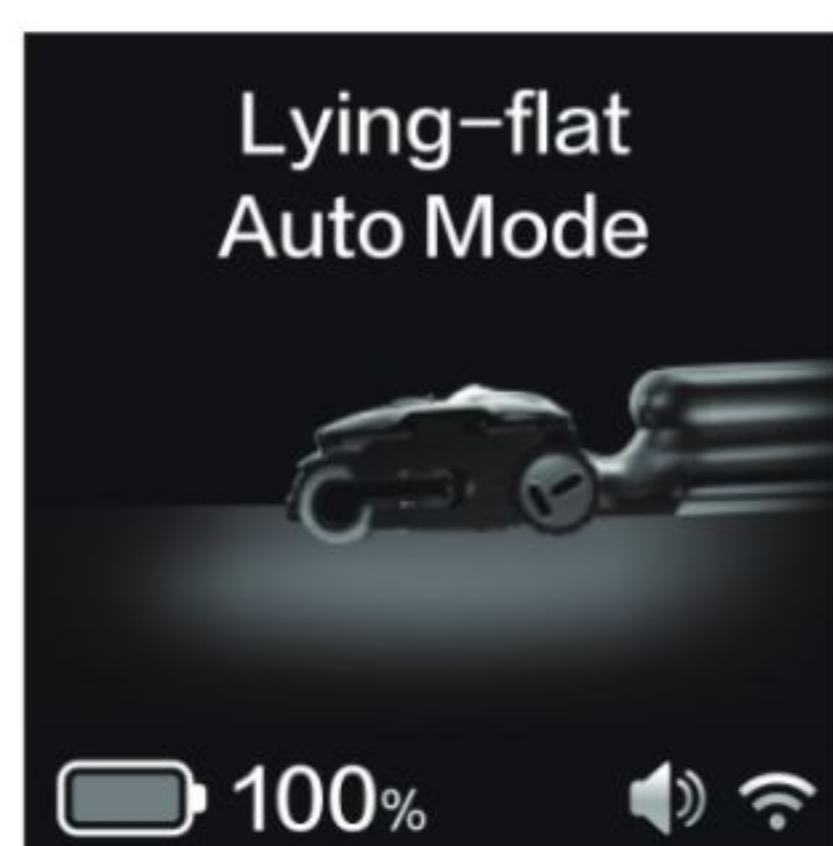
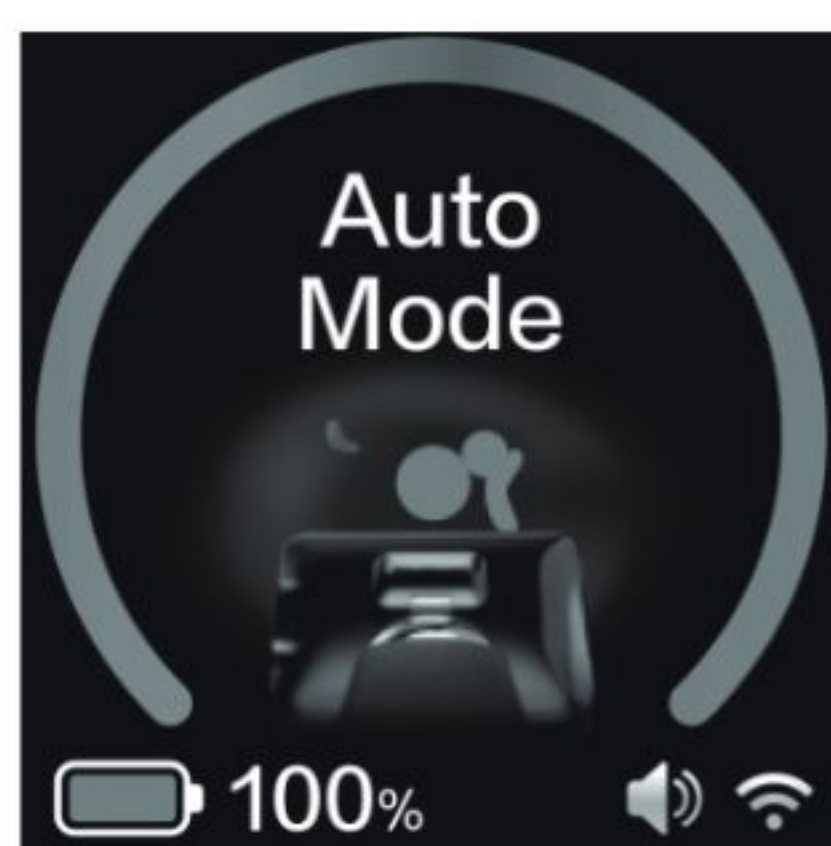
- Para cargar el aparato, enchufe la base de carga y coloque el aparato sobre ella.
- Para evitar tropiezos, durante la carga, coloque el aparato en la base de carga cerca de una pared.

Advertencia:

- Cargue el aparato únicamente con el cargador suministrado por Tineco.
- Si el aparato va a estar mucho tiempo sin ser utilizado, cárguelo una vez cada 3 meses para un rendimiento óptimo. La carga completa puede tardar hasta 3,5 horas.
- Guarde el aparato en un lugar seco y en interiores. No exponga el aparato a la luz directa del sol ni a temperaturas por debajo de cero grados. Rango de temperaturas recomendado: 4 °C-40 °C.

Selección del modo de limpieza


Modo AUTO/Modo AUTO (horizontal)



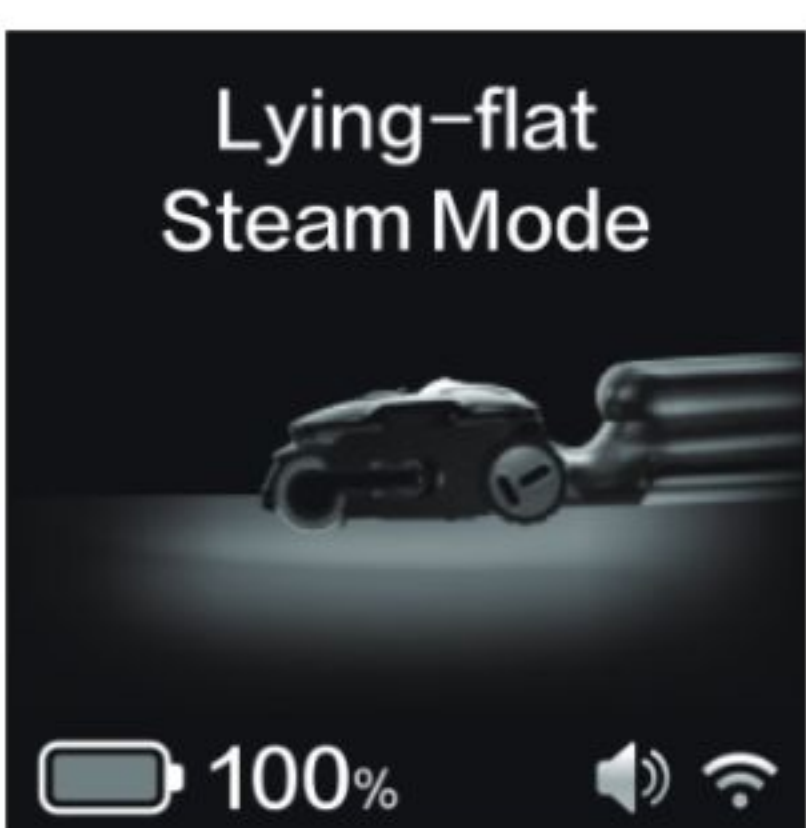
- En los modos AUTO y AUTO (horizontal), el sensor iLoop detecta automáticamente el grado de suciedad del suelo y aplica la potencia de succión.
- La luz roja llena indica que se detecta más suciedad, y la luz azul indica que se detecta menos suciedad.


Modo MAX/Modo MAX (horizontal)



- En modo AUTO y modo AUTO (horizontal), pulse el botón  una vez para entrar en modo MAX/modo MAX (horizontal).
- En el modo MAX/modo MAX (horizontal), el aparato aplicará la máxima potencia de succión y pulverizará agua para acabar con las manchas persistentes.

Modo STEAM/Modo STEAM (horizontal)




- En modo AUTO y modo AUTO (horizontal), pulse el botón  dos veces para entrar en modo STEAM/modo STEAM (horizontal).
- En modo STEAM/modo STEAM (horizontal), tarda entre 20 y 50 s en preparar el vapor. Este modo es ideal para limpiar manchas difíciles.

Nota: No añada ninguna solución en el modo Steam.

Modo SUCTION/Modo SUCTION (horizontal)

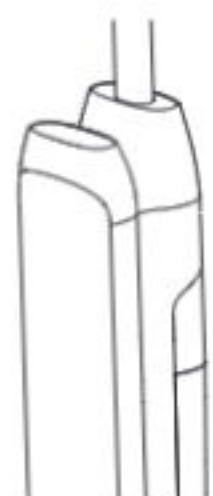
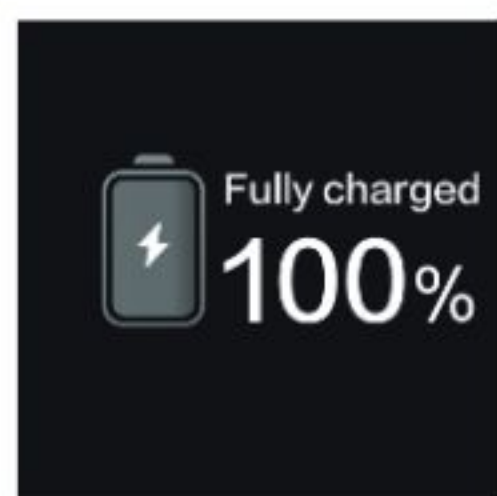


- En modo AUTO y modo AUTO (horizontal), pulse el botón  tres veces para entrar en modo SUCTION/modo SUCTION (horizontal).
- En modo SUCTION/modo SUCTION (horizontal) el aparato absorbe agua. Se recomienda usar este modo en superficies húmedas.

Nota:

Mantenga los objetos afilados alejados de la pantalla digital para evitar arañazos y rasguños.

Durante la carga/Carga completa



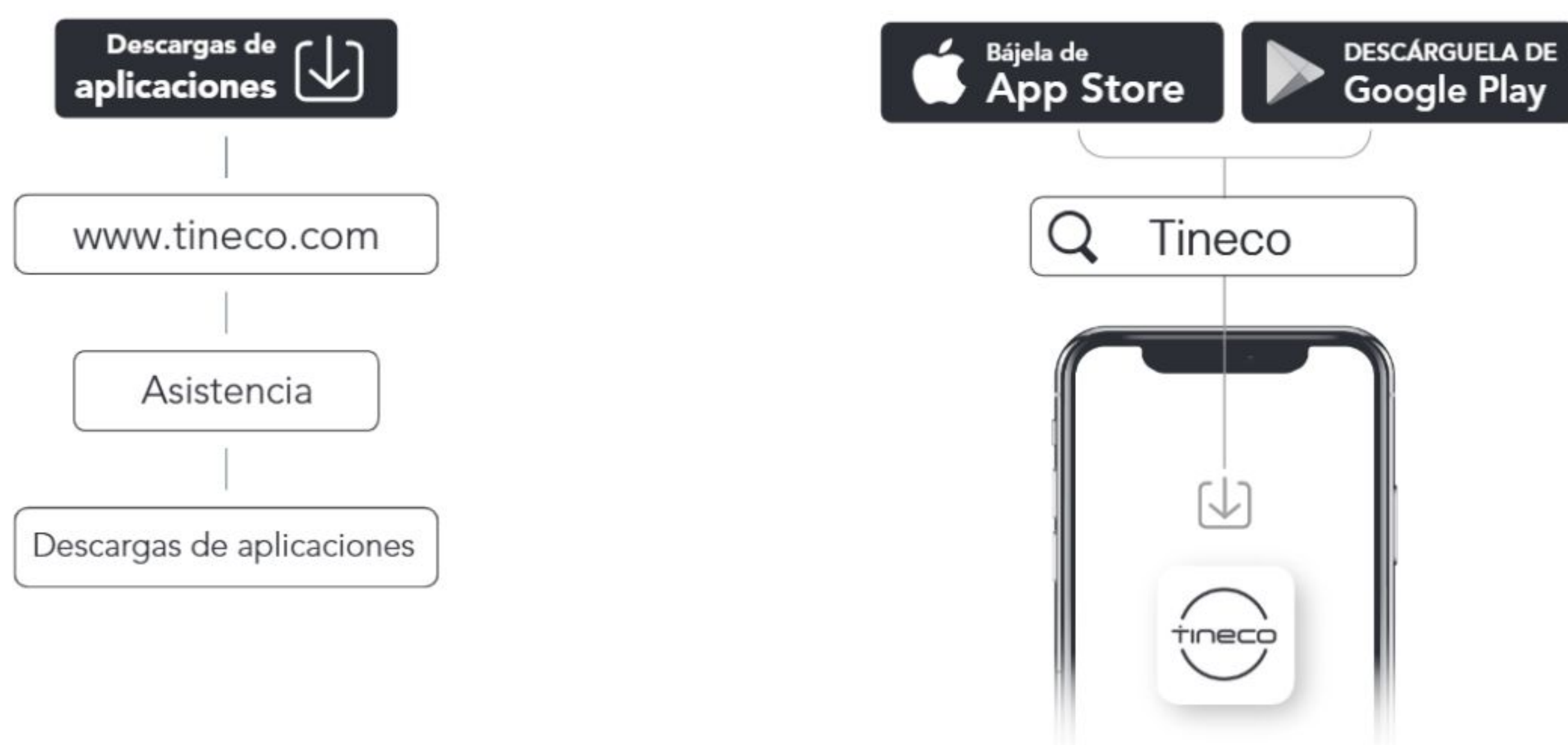
- Pantalla: visualización del nivel de batería durante 5 minutos, luego pantalla apagada. Pulse cualquier botón para comprobar el estado de la batería durante la carga.
- Pantalla con luz 3D: la luz verde respira 3 veces.

Tiempo de carga

- Una carga completa tarda aproximadamente 3,5 horas.
- Los datos estimados se han obtenido en un laboratorio Tineco con temperaturas ambiente de entre 4 °C y 40 °C.

Aplicación

Todas las funciones se pueden realizar con la aplicación Tineco. Descargue la aplicación Tineco desde App Store, Google Play y la Página Oficial de Tineco.



Nota:

El idioma predeterminado de las indicaciones es inglés, puede establecer otros idiomas utilizando la aplicación.

Indicación de voz (el contenido puede variar, el modelo real prevalecerá)

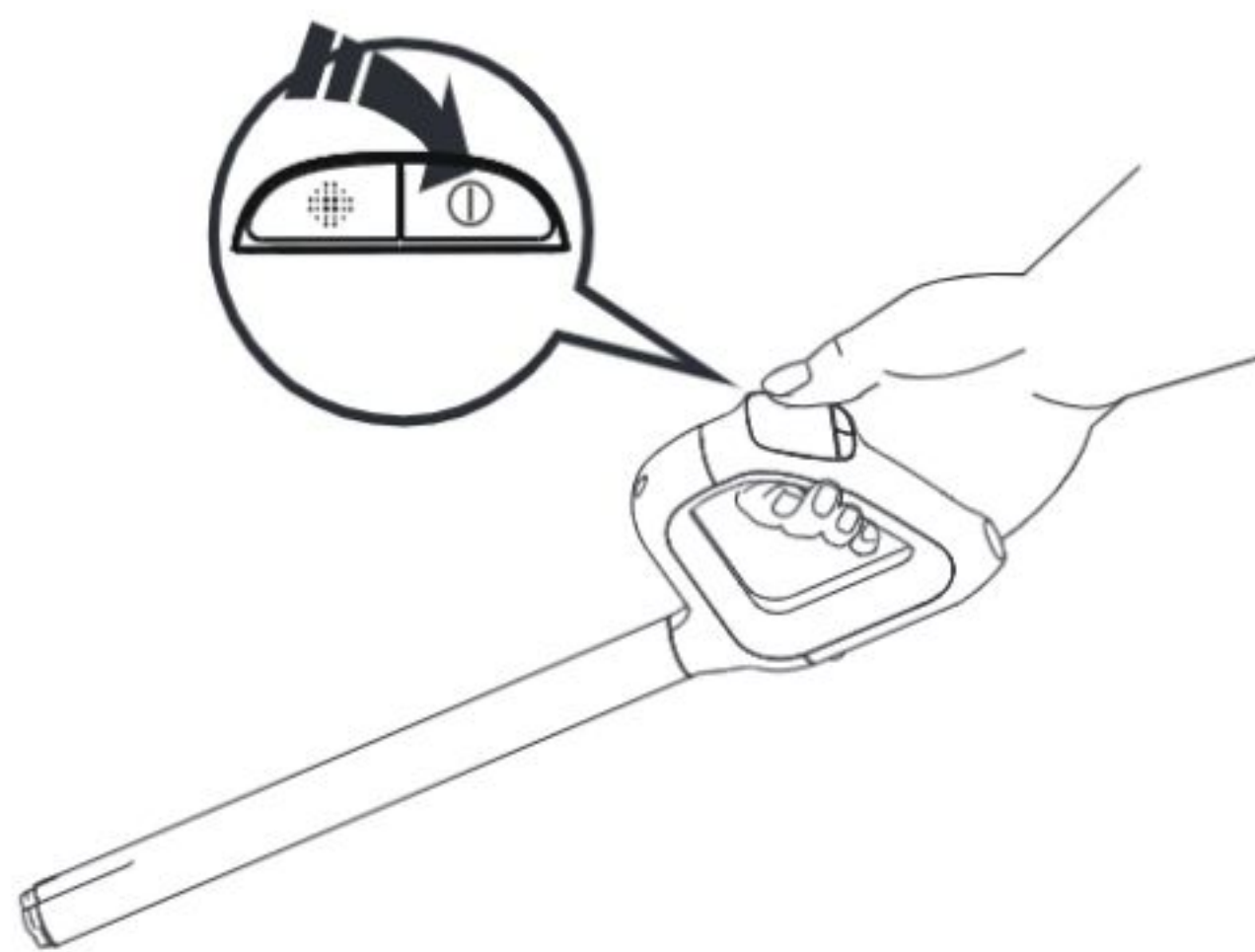
Estado	Recordatorio
Indicaciones de voz activadas	Indicaciones de voz activadas.
Indicaciones de voz desactivadas	Indicaciones de voz desactivadas.
Modo Auto de forma predeterminada	Modo Auto.
Cambia al modo Suction	Modo Suction.
Cambie al modo Max	Modo Max.
Cambia al modo Steam	Modo Steam.
Nivel de batería: 10-20 %	Batería baja.
Entre en el modo Steam para iniciar la preparación de vapor	Empezar a preparar el vapor.
Nivel de batería: 0-10 %	Batería baja. Coloque el aparato.
El depósito de agua limpia está vacío	Agua insuficiente en el depósito de agua limpia. Añada agua.
No se puede realizar la autolimpieza	Coloque el aparato en la base de carga para iniciar la autolimpieza.
El depósito de agua sucia está lleno	El depósito de agua sucia está lleno. Vacíelo.
Cepillo de rodillo enredado	Limpie el cepillo de rodillo.
Apagado	Apagado en proceso.
Batería insuficiente para autolimpieza	Batería baja. Carguela antes de iniciar la autolimpieza.
Limpieza del cepillo de rodillo en proceso	Limpieza del cepillo de rodillo en proceso.
Limpieza de la tubería en proceso	Limpieza de la tubería en proceso.
Limpieza a fondo en proceso	Limpieza a fondo en proceso.
Autolimpieza completada	Autolimpieza completada. Vacíe y limpie el depósito de agua sucia para prevenir la aparición de olores.
Inicie la carga	Carga en proceso.
Agua insuficiente para la autolimpieza	Añada agua e inicie la autolimpieza.

Mantenimiento

Nota:

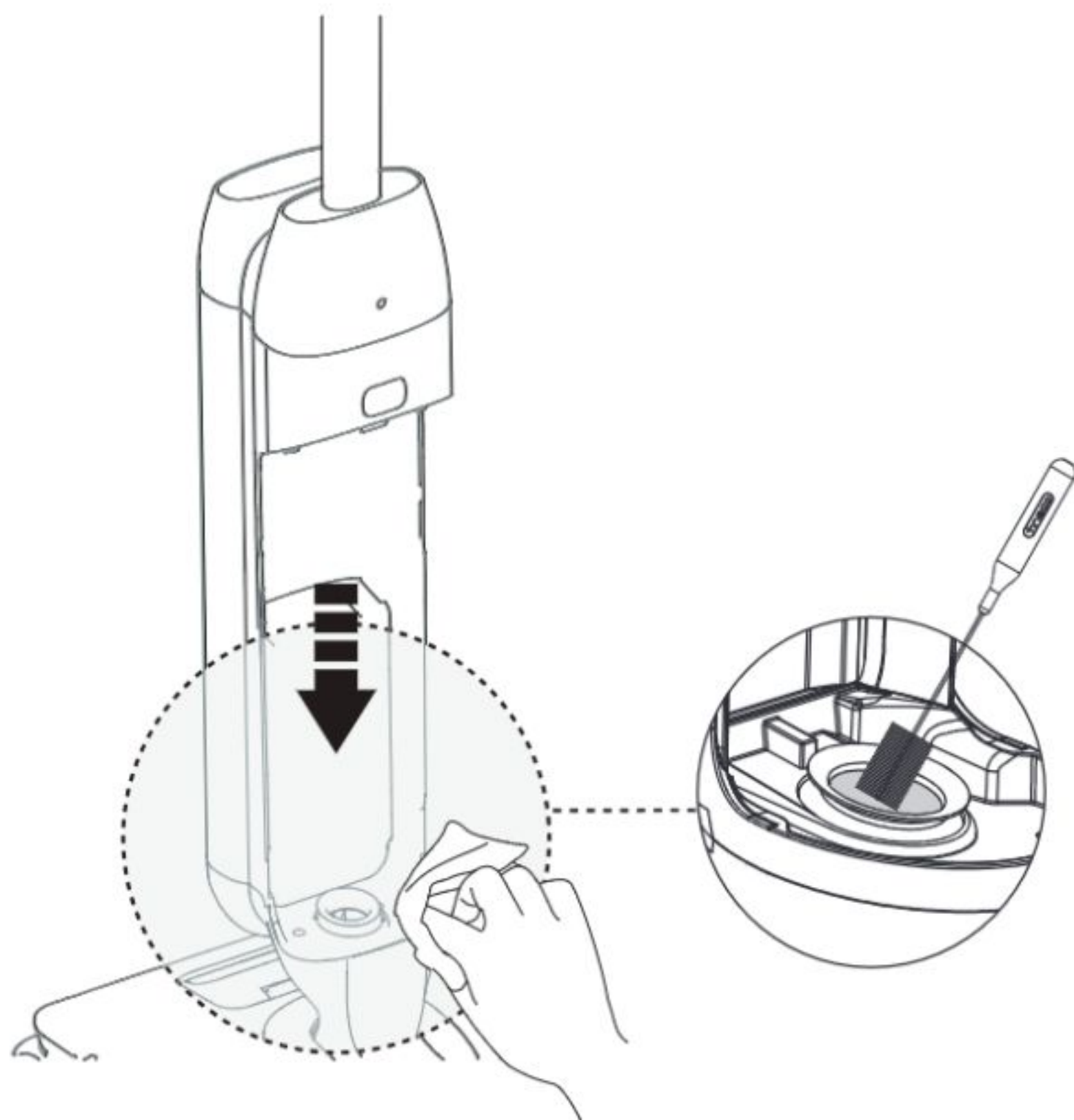
- Para un rendimiento óptimo y evitar olores, **limpie** y **seque** siempre el DAS, el DAL, los filtros, el cepillo de rodillo **completamente** después de cada uso.
- Asegúrese de que todas las piezas están colocadas correctamente, ya que de lo contrario es posible que el aparato no funcione correctamente.
- No empape el aparato ni lo lavo bajo agua.
- Podría quedar agua en el aparato debido a la inspección de fábrica.
- Después del mantenimiento, coloque el aparato en la base de carga y en posición vertical. No exponga el aparato a la luz solar directa y guárdelo en un lugar seco y cerrado.

Cuerpo principal



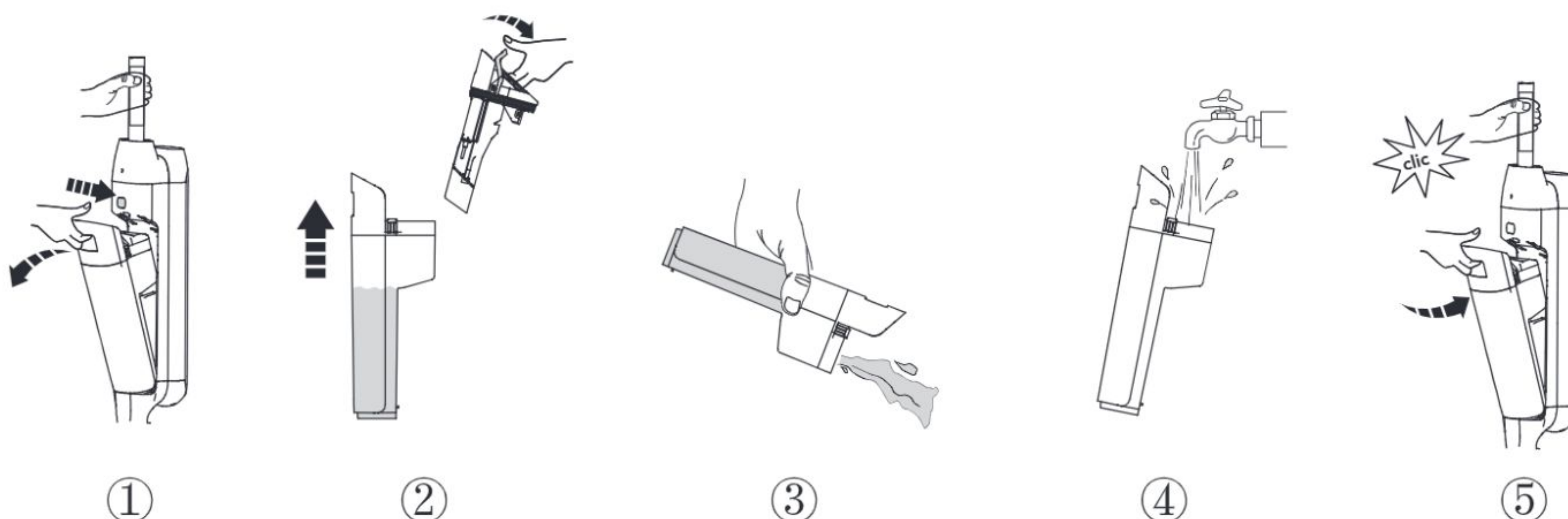
Para reducir el riesgo de lesiones, apague el aparato antes de realizar el mantenimiento.

Utilice un paño para limpiar la superficie con un detergente neutro. El paño debe estar seco para evitar que entre agua en el aparato.



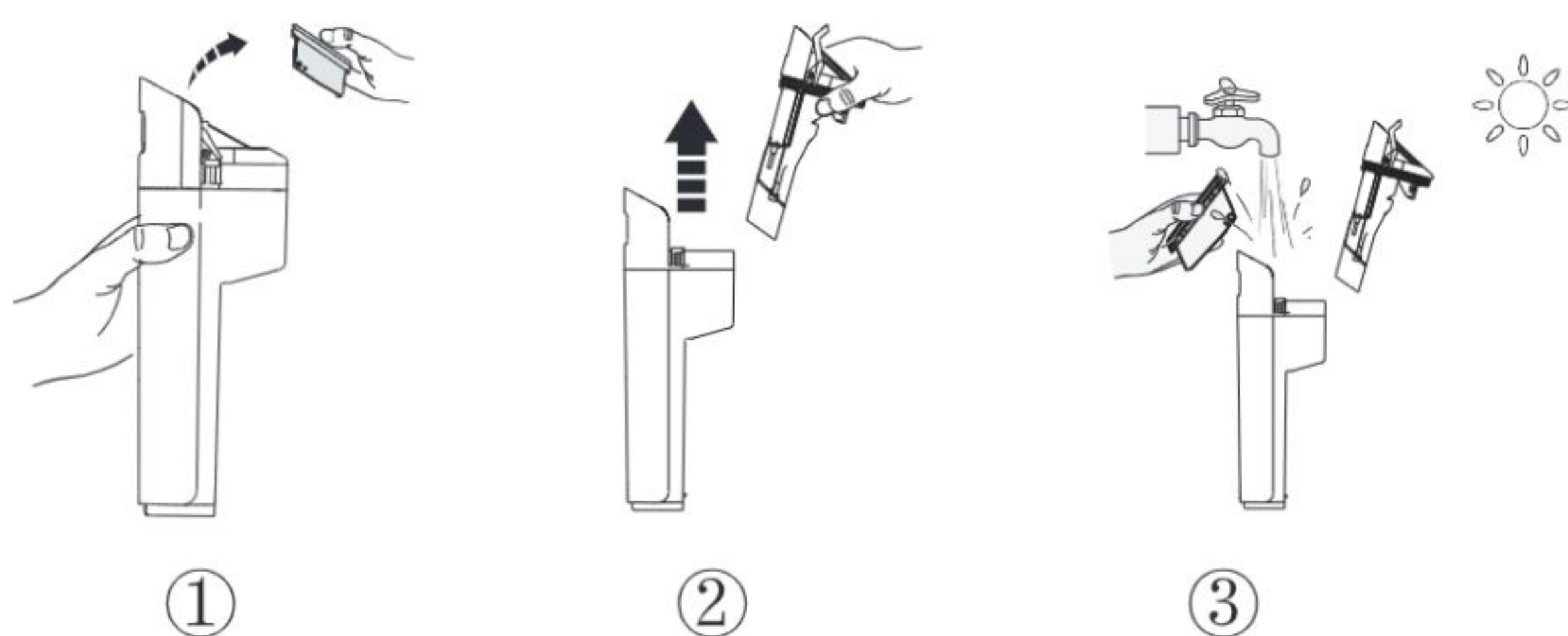
Limpie el depósito de polvo con un paño húmedo o herramienta de limpieza.

Depósito de agua sucia



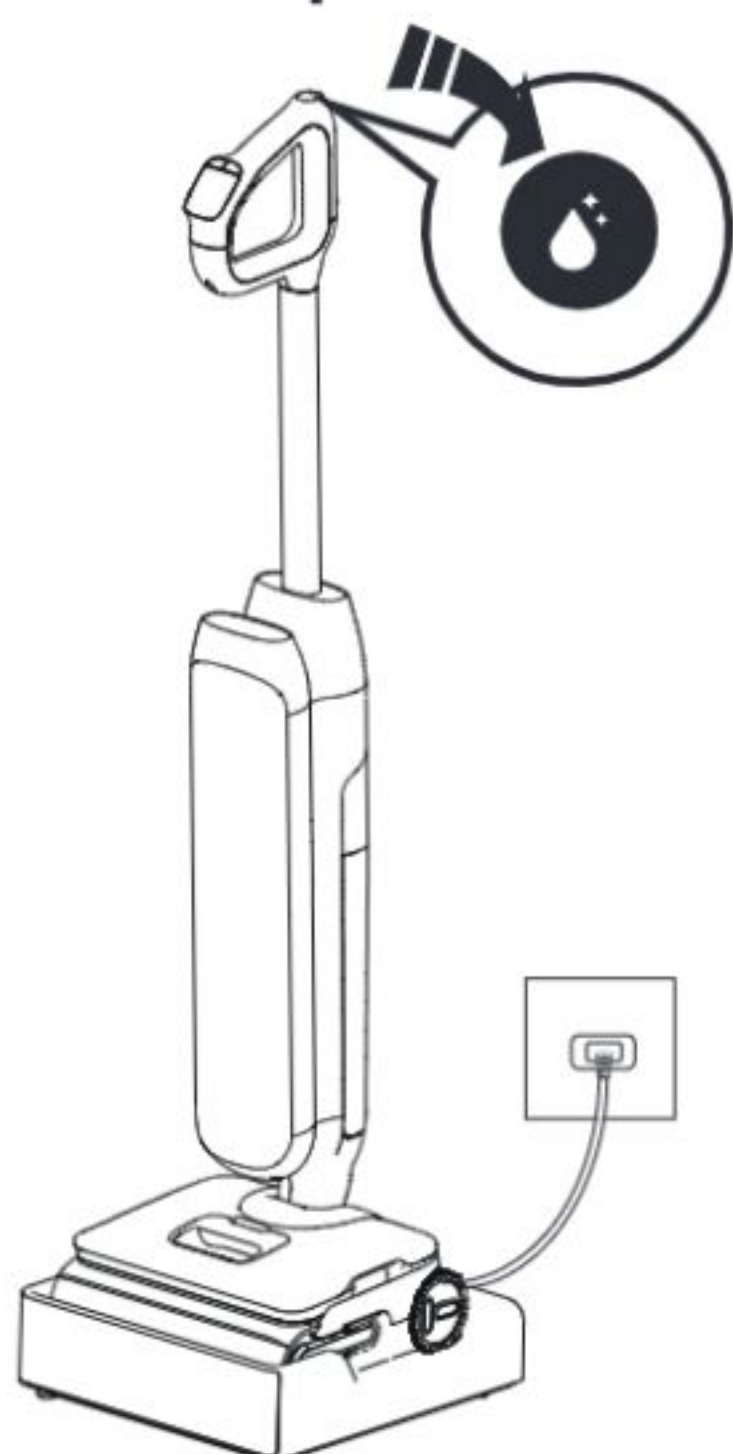
- Cuando el agua sucia llega a la línea de nivel máximo, el aparato deja de funcionar, muestra un recordatorio en la pantalla y reproduce un aviso de voz.
- Tire del anillo azul como se muestra y levante la tapa del depósito para vaciar el DAS. Utilice la herramienta de limpieza para eliminar los residuos restantes. Enjuague el interior del DAS y vuelva a colocarlo en el aparato.

Filtro seco y tapa del DAS



- Sujete la zona rebajada de cada lado del filtro seco y tire hacia arriba. Enjuáguelo bajo el grifo y asegúrese de que está completamente seco antes de volver a combinarlo con la tapa del DAS.
- * El aparato incluye un filtro seco de repuesto para facilitar su sustitución.

Autolimpieza del cepillo de rodillo

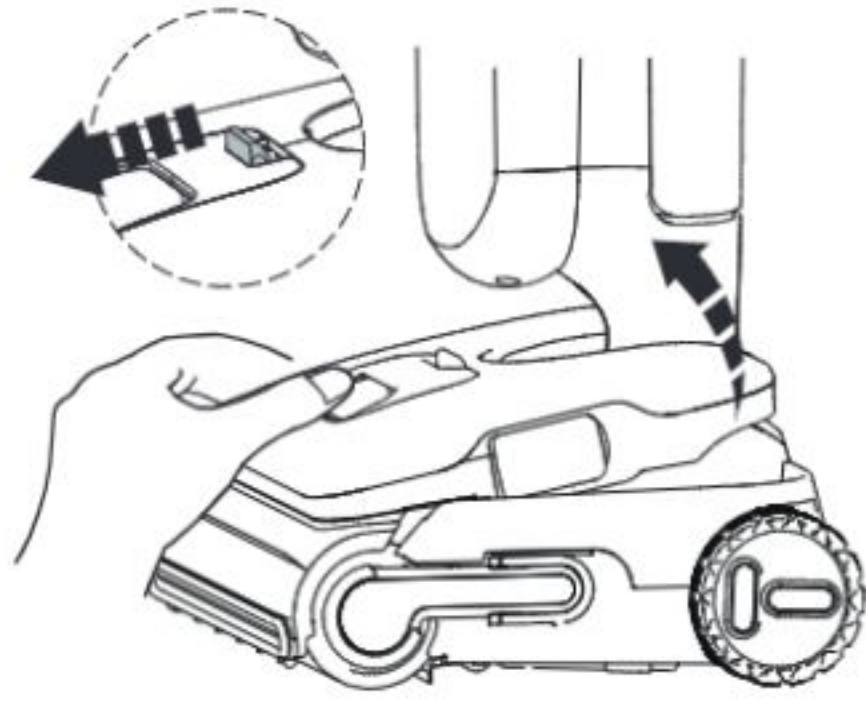


1. Coloque el aparato en la base de carga después de utilizarlo, el sensor detectará automáticamente el nivel de suciedad.
2. Cuando oiga la indicación de voz "Por favor, inicie la autolimpieza", pulse el botón de autolimpieza e inicie el proceso.
3. Una vez finalizado, oirá el mensaje de voz para indicar que la autolimpieza está finalizada y que debe limpiar el depósito de agua sucia. En ese momento, el aparato comienza a cargarse.

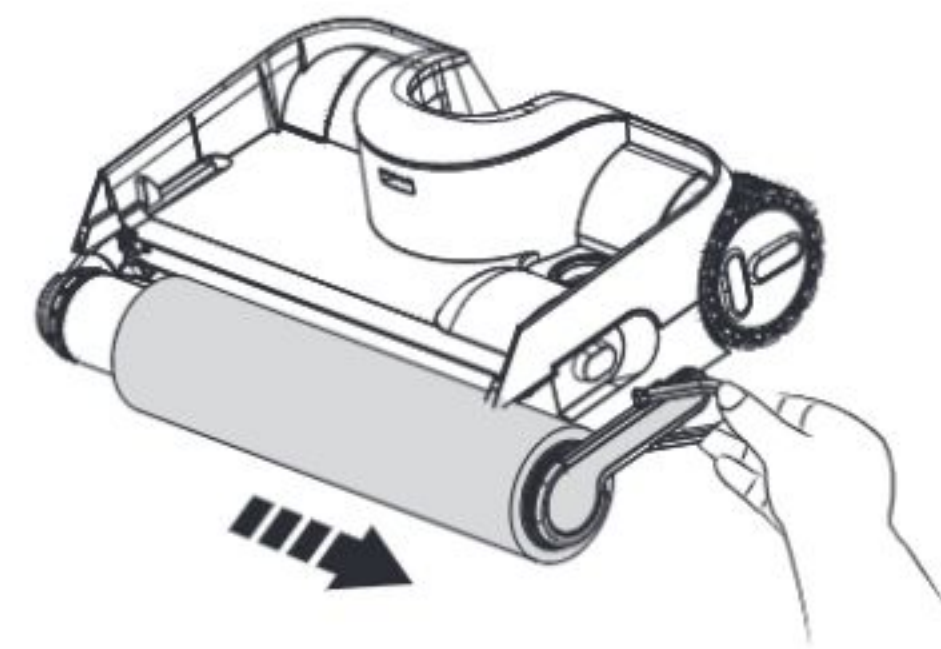
Nota:

- Compruebe que la base de carga esté enchufada y el nivel de batería sea >18 %.
- Antes del ciclo de autolimpieza, limpie el depósito de agua sucia y asegúrese de que el nivel de agua del depósito de agua limpia supera el 40 %.

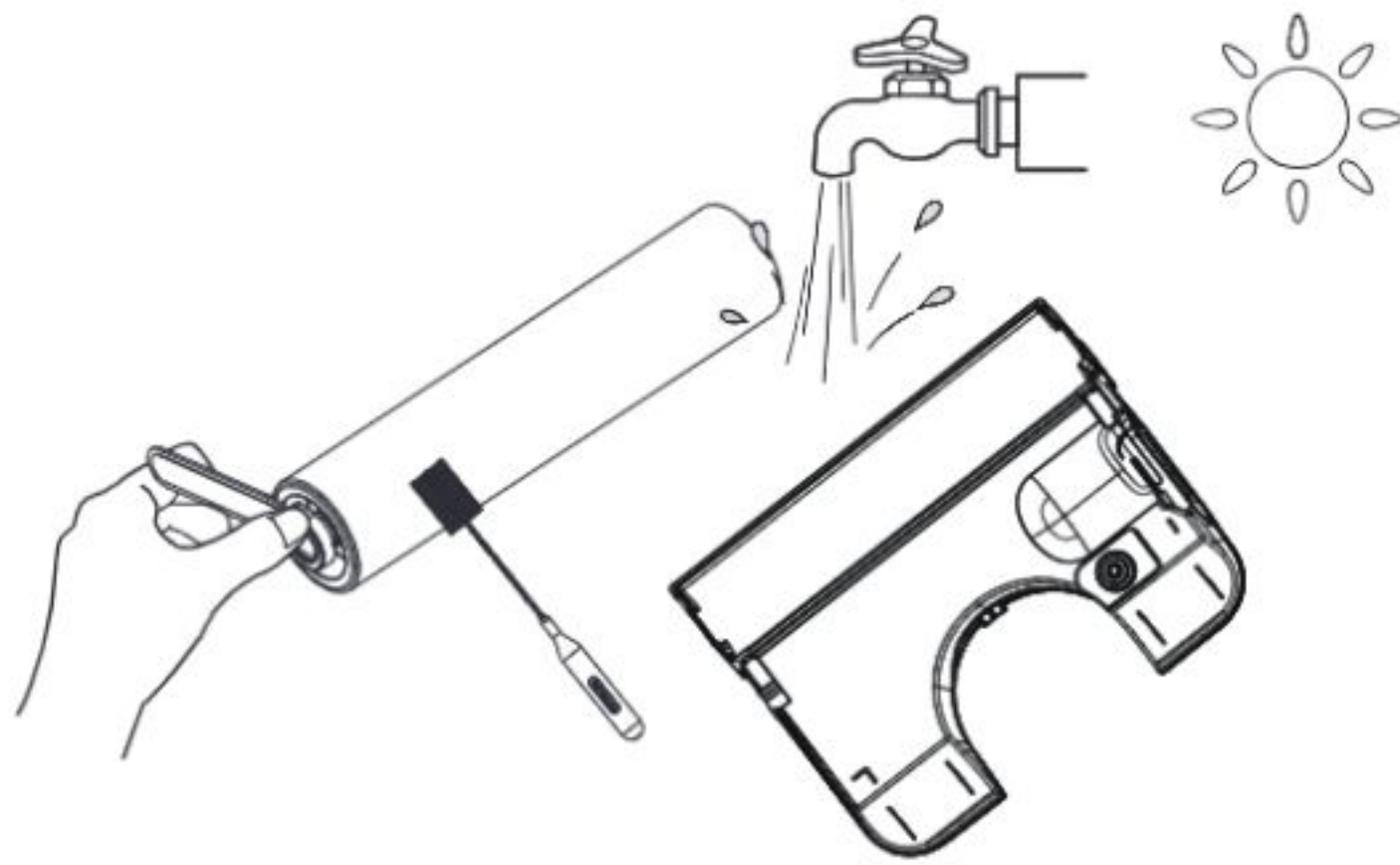
Cepillo de rodillo



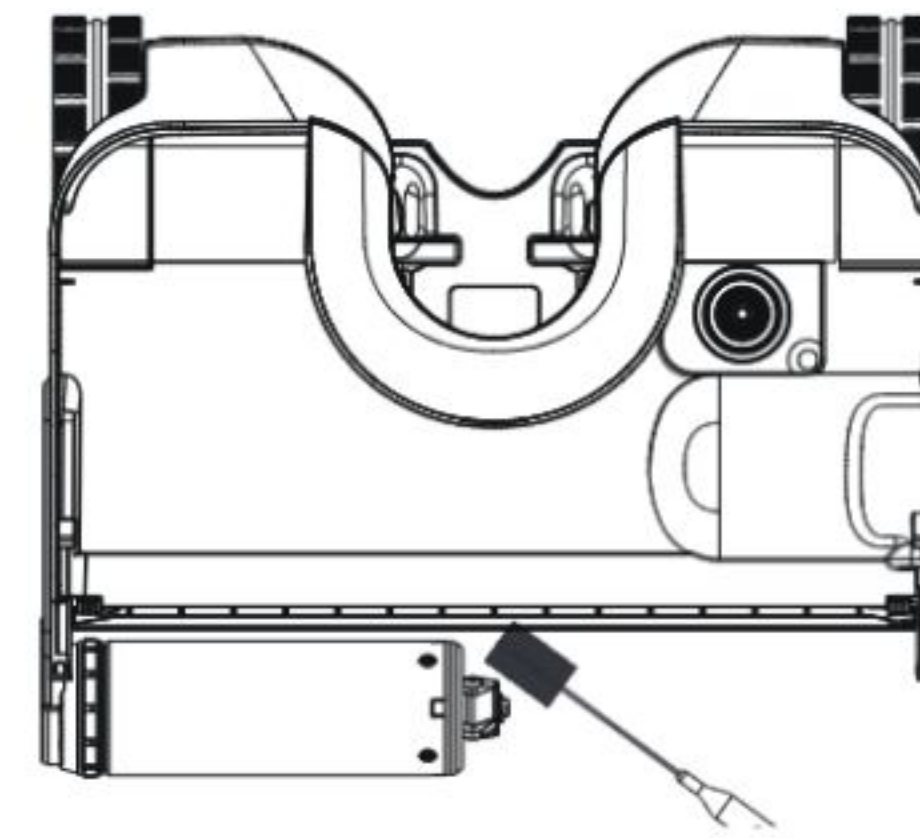
Pulse el botón de liberación del depósito de agua limpia para sacarlo del aparato.



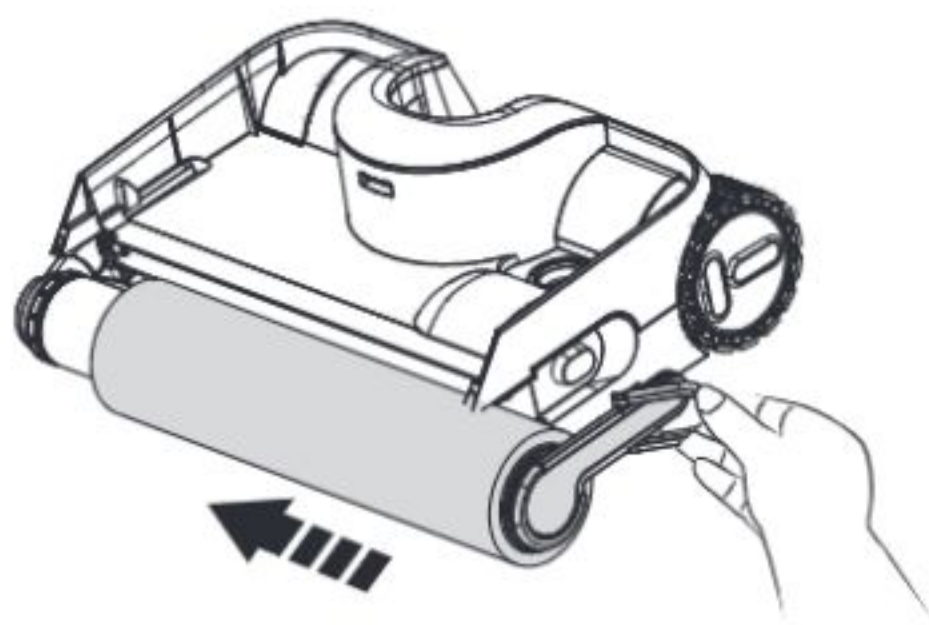
Para retirar el cepillo de rodillo, sujete la lengüeta del cepillo de rodillo y tire hacia fuera.



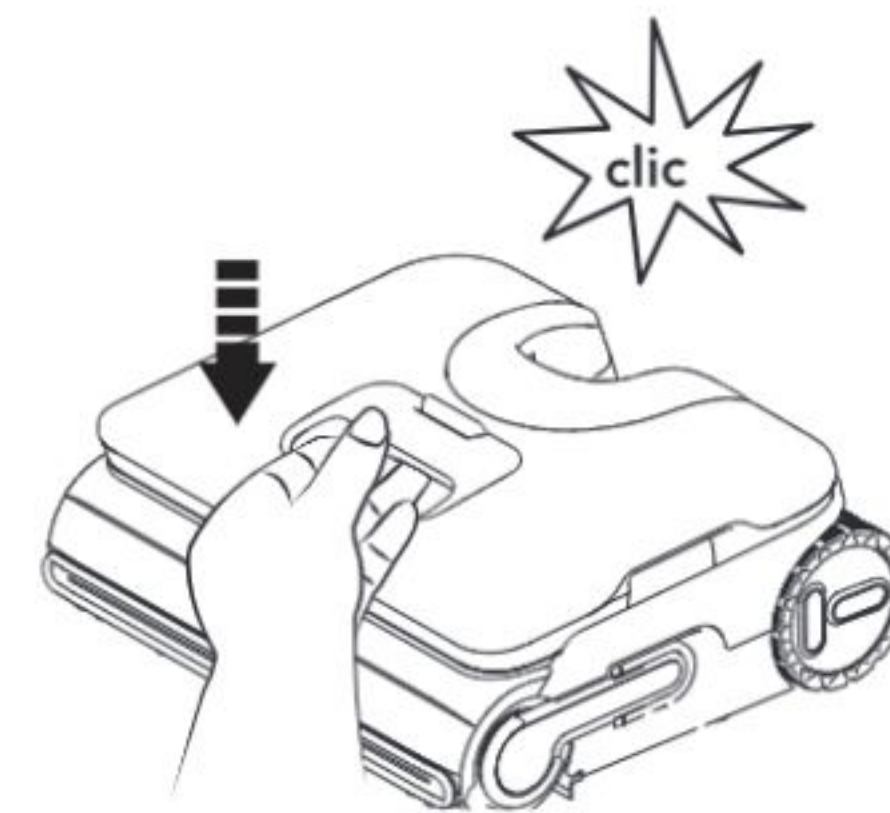
Utilice la herramienta de limpieza para eliminar el pelo y los residuos que envuelven el rodillo y enjuague el rodillo y la parte posterior del DAL con agua. Deje que se sequen completamente antes de volver a instalarlos.



Elimine el pelo y la suciedad de la cámara del cepillo de rodillo y de la abertura con una herramienta de limpieza.

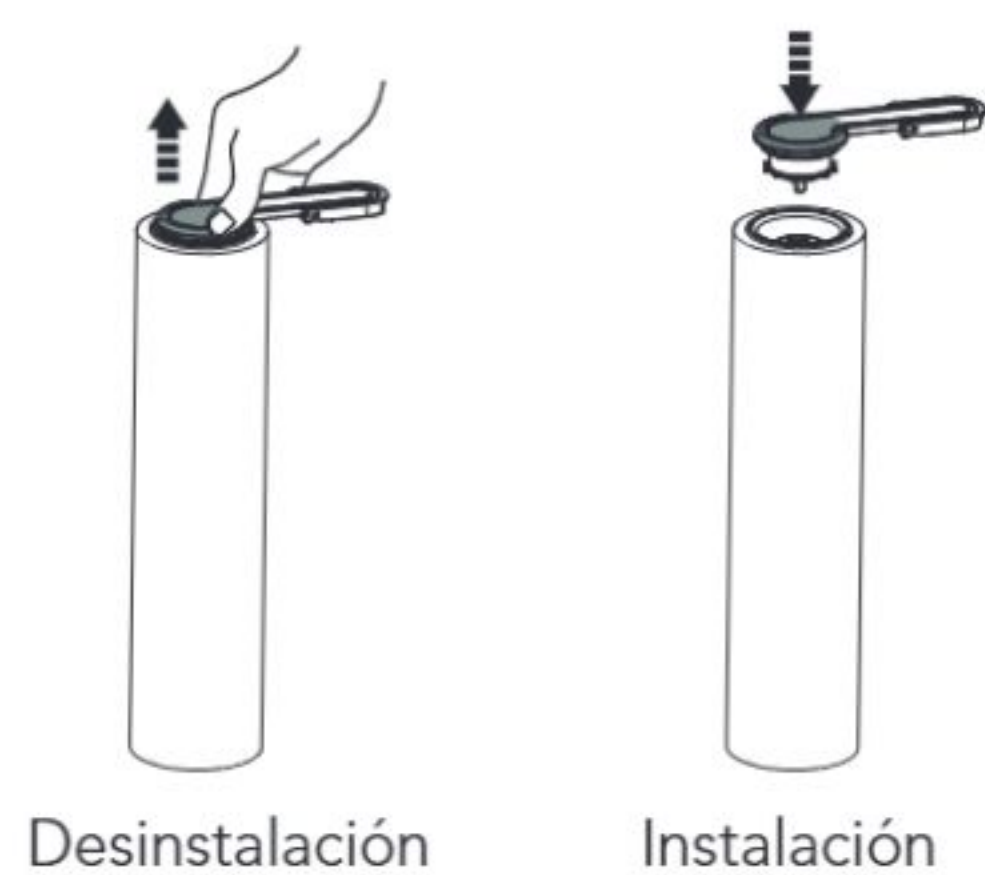


Para volver a colocar el cepillo de rodillo, inserte el extremo izquierdo del asa y, a continuación, acople la pestaña del rodillo a la hebilla magnética del lado derecho para bloquearla.



Vuelva a colocar el depósito en el aparato. Cuando lo haga correctamente se escuchará un chasquido.

Sustitución del rodillo del cepillo










Tire hacia arriba del mango del rodillo para extraerlo. Una vez retirado, instale el mango en el nuevo rodillo de cepillo.

Al desinstalarlo, no tire directamente del anillo de tiro del rodillo de cepillo.

Nota:

- El aparato incluye un cepillo de rodillo de repuesto para facilitar su sustitución.
- Sustituya el cepillo de rodillo cada 6 meses para mantener un rendimiento óptimo.

Resolución de problemas

Problema	Posible causa	Solución
El aparato no se enciende	<ol style="list-style-type: none"> 1. No tiene suministro eléctrico 2. Protección automática para sobrecalentamiento 3. El asa no está bien colocada 	<ol style="list-style-type: none"> 1. Cargue el aparato 2. Vuélvalo a encender una vez frío 3. Inserte el asa para fijarla firmemente en su sitio
Succión débil	El filtro seco no está instalado o está sucio	Instale el filtro seco o límpielo y déjelo secar completamente
Animación de cepillo de rodillo enredado  Aviso de voz: Limpie el cepillo de rodillo	El cepillo de rodillo está obstruido	Retire las obstrucciones
El indicador del Wi-Fi está apagado 	La red Wi-Fi no está conectada	Siga las indicaciones de la aplicación para conectarse a la red Wi-Fi
Animación de DAL vacío  Aviso de voz: Agua insuficiente en el depósito de agua limpia. Llène con agua	<ol style="list-style-type: none"> 1. DAL vacío 2. El DAL no está correctamente instalado 	<ol style="list-style-type: none"> 1. Rellenar DAL 2. Resintale el DAL
Animación de DAS lleno  Aviso de voz: El depósito de agua sucia está lleno. Vacíelo	El agua sucia del DAS ha alcanzado la línea MAX	Vacíe el agua sucia y vuelva a colocar el DAS
Nivel de batería < 10 %  Aviso de voz: Batería baja. Cargue el aparato	Carga baja	Cargue el aparato o reinícielo
Todas las luces están apagadas 	Mal funcionamiento del motor, mal funcionamiento de la batería, anomalía de carga	<ol style="list-style-type: none"> 1. Enfríe el aparato y vuelva a encenderlo 2. Asegúrese de que el enchufe está bien insertado
Luz azul sólida en limpieza sucia pesada 	Sensor de suciedad averiado o bloqueado	Elimine los bloqueos y limpie el canal de residuos o reinicie
El icono de autolimpieza parpadea	El cepillo de rodillo está sucio	Iniciar limpieza
Mal funcionamiento del secado	Enchufe mal insertado	Compruebe si el enchufe está bien insertado o si la toma de corriente tiene corriente
	El rodillo del cepillo está cubierto de residuos difíciles de limpiar	Limpie el cepillo de rodillo
	El aparato no está bien colocado	Reubique el aparato

Nota:

Si la guía de resolución de problemas no incluye una solución, visite nuestro sitio web www.tineco.com para recibir más ayuda.

Garantía

GARANTÍA LIMITADA DE 2 AÑOS

- Solo se aplica a las compras realizadas a minoristas autorizados de Tineco.
- Está sujeta al cumplimiento de los requisitos descritos en este manual de instrucciones y otras condiciones descritas a continuación.
- Esta garantía se rige e interpreta según las leyes del país en el que se realizó la compra. Ofrecemos una garantía de 2 años o un periodo de garantía según lo estipulado por la ley local aplicable, el que sea más largo.

¿CUÁL ES LA COBERTURA?

- El aparato Tineco tiene una garantía de 2 años contra defectos originales en materiales y mano de obra, cuando se usa para fines domésticos privados de acuerdo con el manual de instrucciones de Tineco. Los accesorios motorizados y la batería comprados por separado tienen una garantía de 1 año.
- Esta garantía proporciona, sin coste adicional, toda la mano de obra y las piezas necesarias para garantizar que el aparato se encuentre en buenas condiciones de funcionamiento durante el período de garantía.
- Esta garantía solo será válida si el aparato se utiliza en el país donde se vendió.

¿QUÉ QUEDA FUERA DE LA COBERTURA?

Tineco no será responsable de los costes, daños o reparaciones incurridos como resultado de:

- Aparatos adquiridos en un distribuidor no autorizado.
- Mala manipulación o manipulación descuidada, mal uso, abuso o falta de mantenimiento, así como usos no conformes con el manual de instrucciones de Tineco.
- Uso del aparato para otros fines que no sean fines domésticos normales, por ejemplo, para fines comerciales o de alquiler.
- Uso de piezas no conformes con el manual de instrucciones de Tineco.
- Uso de piezas y accesorios distintos a los producidos o recomendados por Tineco.
- Factores externos no relacionados con la calidad y el uso del producto, como el clima, modificaciones, accidentes, apagones, picos de tensión o causas naturales.
- Reparaciones o alteraciones realizadas por personas o agentes no autorizados.
- No realizar la retirada de obstrucciones y otros materiales peligrosos del aparato.
- Desgaste normal, incluidas las piezas de desgaste normal, como el recipiente transparente, la correa, el filtro, el filtro HEPA, la barra de cepillo y el cable de alimentación (o por daños o abusos

externos identificados), daños en las alfombras o en el suelo por uso indebido o no conforme con las instrucciones del fabricante.

- Reducción del tiempo de descarga de la batería debido a su uso o antigüedad.

LIMITACIONES DE GARANTÍA

- Cualquier garantía implícita relacionada con el aparato, incluidas, entre otras, la garantía de comerciabilidad o la garantía de adecuación para un propósito particular, se limita a la duración de esta garantía.
- La cobertura de la garantía se aplica únicamente al propietario original y a la batería original; no es transferible.
- Esta garantía limitada le otorga derechos legales específicos. También puede tener otros derechos que varían según la región.
- Es posible que las garantías del fabricante no se apliquen en todos los casos, dependiendo de factores como el uso del producto, el lugar donde se compró el producto o a quién se compró. Revise la garantía cuidadosamente y contacte con el fabricante si tiene alguna pregunta.

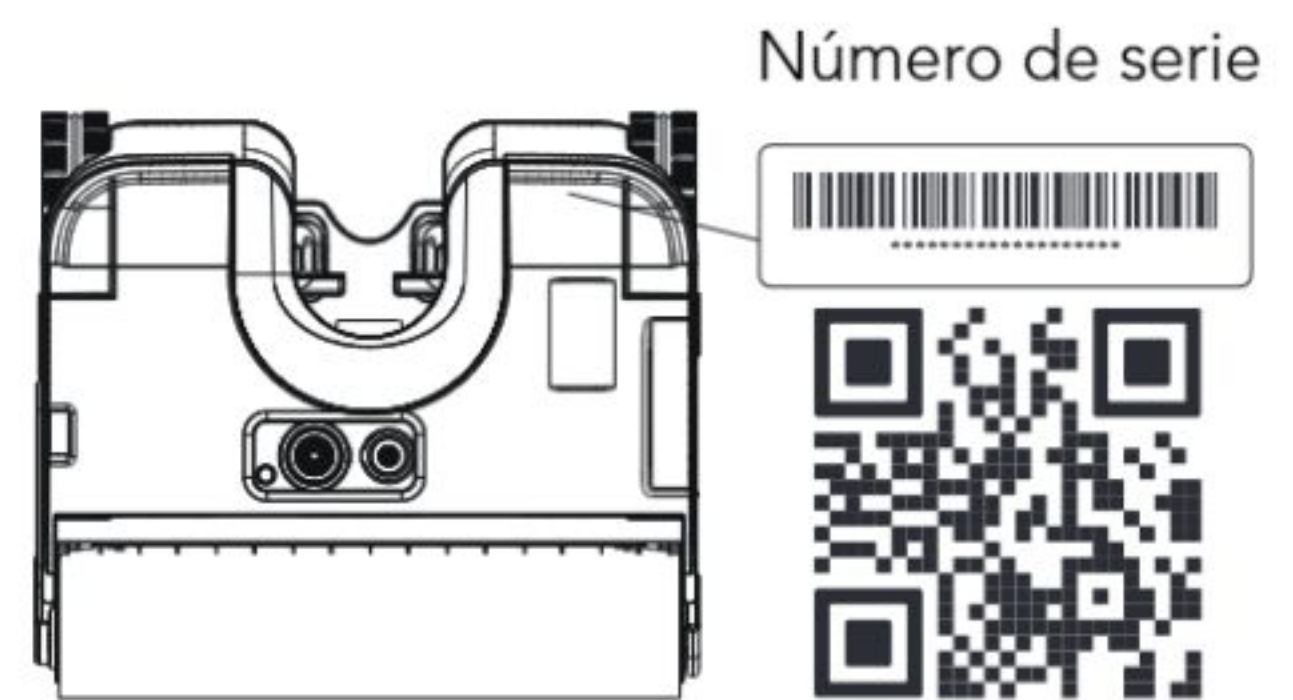
GARANTÍA Y SERVICIO

Registro: Le recomendamos encarecidamente que registre el aparato al comprarlo en el sitio web oficial de Tineco (www.tineco.com) o escaneando el código QR (consulte a la derecha) para disfrutar de más beneficios exclusivos. Para registrarlo, introduzca el número de serie completo (que encontrará tras retirar el depósito de agua limpia).

No registrar el aparato no implica pérdida de derechos de garantía.

Cómo hacer una reclamación: Conserve el recibo de compra. Para realizar una reclamación bajo su garantía limitada, debe enviar el número de serie y el recibo original de compra con la fecha de compra y el número de pedido.

Todo trabajo será responsabilidad de Tineco o de algún agente autorizado. Cualquier pieza defectuosa reemplazada pasará a ser propiedad de Tineco. El servicio bajo esta garantía no extenderá el período de esta garantía.



Póngase en contacto con
nuestra línea de atención al cliente:
1-855-292-8864 o visite la página
web de Tineco **www.tineco.com**
para recibir ayuda experta.

SOMMAIRE

Consignes de sécurité importantes51

Spécifications57

Présentation58

Accessoires.....59

Assemblage60

Fonctionnement61

Entretien68

Guide de dépannage.....72

Garantie.....74

Consignes de sécurité importantes

CONSERVEZ CES INSTRUCTIONS

Usage domestique exclusivement.

Cet appareil est conçu pour un usage en intérieur uniquement.

Lorsque vous utilisez un appareil électrique, veuillez respecter les précautions de sécurité élémentaires, notamment celles indiquées ci-dessous :

LISEZ TOUTES LES INSTRUCTIONS AVANT L'UTILISATION (DE CET APPAREIL). Le non-respect des consignes de sécurité et des instructions peut provoquer une décharge électrique, un incendie et/ou des blessures graves.

AVERTISSEMENT – Afin de réduire le risque d'incendie, de décharge électrique ou de blessures corporelles :

1. Pour le marché européen — Cet appareil peut être utilisé par des enfants à partir de 8 ans et par des personnes dont les capacités physiques, sensorielles ou mentales sont réduites, ou des personnes dénuées d'expérience ou de connaissance, si elles ont pu bénéficier, par l'intermédiaire d'une personne responsable de leur sécurité, d'une surveillance ou d'instructions préalables concernant l'utilisation de l'appareil. Les enfants ne doivent pas jouer avec cet appareil. Le nettoyage et l'entretien ne doivent pas être effectués par des enfants sans surveillance.
2. Pour les marchés autres que celui de l'Europe — Cet appareil n'est pas destiné à être utilisé par des personnes (y compris les enfants) ayant des capacités physiques, sensorielles ou mentales limitées, ou manquant d'expérience et/ou de connaissances, sauf si elles sont surveillées ou ont reçu des instructions.
3. Veuillez à uniquement utiliser l'appareil en intérieur, sur des sols dépourvus de moquette, par exemple en vinyle, en carrelage, en parquet, etc. Veuillez à ne pas passer sur des objets non fixés ni sur les bords de tapis. Le blocage de la brosse peut entraîner une défaillance prématurée de la courroie.
4. Cet appareil ne doit pas servir de jouet. Une attention particulière est nécessaire lorsque l'aspirateur est utilisé près d'enfants, d'animaux domestiques ou de plantes.
5. Utilisez l'appareil uniquement de la manière décrite dans ce manuel. Utilisez exclusivement les accessoires recommandés par le constructeur.
6. N'utilisez pas l'appareil si son câble d'alimentation ou sa prise est endommagé. Si l'appareil est tombé, est endommagé, a été laissé à l'extérieur ou en contact avec de l'eau ou ne fonctionne pas correctement, retournez-le à un centre d'entretien.
7. Ne manipulez pas le chargeur, y compris la prise et/ou les bornes du chargeur, les mains mouillées.
8. N'insérez aucun objet dans les ouvertures. N'utilisez pas l'appareil si l'une des ouvertures est obstruée. Veuillez à éviter l'accumulation dans les ouvertures de tout ce qui pourrait diminuer le flux d'air (poussières, peluches, poils, etc.).
9. Gardez les cheveux, les vêtements amples, les doigts et autres parties du corps éloignés des ouvertures et des pièces en mouvement.
10. Soyez particulièrement vigilant(e) en passant l'aspirateur dans les escaliers.

11. N'utilisez pas cet appareil pour aspirer des liquides combustibles ou inflammables, comme de l'essence, et ne passez pas l'aspirateur dans une pièce où se trouvent de tels liquides.
12. Ne passez en aucun cas l'aspirateur sur des objets brûlants ou incandescents, comme des cigarettes, des allumettes ou des cendres chaudes.
13. Ne faites pas fonctionner cet appareil sans le filtre.
14. Évitez la mise en marche accidentelle. Vérifiez que l'interrupteur marche/arrêt est en position d'arrêt avant de saisir l'appareil ou de le porter. Transporter l'appareil avec un doigt sur l'interrupteur ou le brancher sur une alimentation électrique alors que son interrupteur est en position de marche favorise les accidents.
15. Éteignez toujours l'appareil avant d'effectuer un réglage, de changer un accessoire ou de ranger l'appareil. Ces mesures de sécurité permettent de réduire les risques de démarrage accidentel de l'appareil.
16. Charger uniquement avec la station de recharge spécifiée par Tineco. Une station de recharge adaptée à un seul type de batterie peut présenter un risque d'incendie s'il est utilisé avec une batterie différente.
17. Utilisez cet appareil uniquement avec des batteries Tineco spécialement conçues pour cet usage. L'utilisation de toute autre batterie peut créer un risque de blessures et d'incendie.
18. Si la batterie est soumise à des conditions abusives, du liquide peut s'en échapper. Évitez tout contact avec ce liquide. En cas de contact accidentel, rincez à grande eau. Si du liquide entre en contact avec les yeux, consultez un médecin. Le liquide qui s'échappe de la batterie peut provoquer des irritations ou des brûlures.
19. N'utilisez pas l'appareil si la batterie ou l'appareil lui-même est endommagé ou modifié. Les batteries modifiées ou endommagées peuvent produire un fonctionnement imprévisible pouvant provoquer un incendie, une explosion ou un risque de blessure.
20. N'exposez pas la batterie ou l'appareil à des flammes ou à une température excessive. L'exposition au feu ou à des températures supérieures à 130 °C peut provoquer une explosion.
21. Respectez toutes les instructions de recharge. Ne rechargez pas la batterie ou l'appareil quand la température ambiante est hors de la plage spécifiée dans les instructions. Une recharge incorrecte ou recharger une batterie sous des températures hors de la plage spécifiée peut endommager la batterie et accroître le risque d'incendie.
22. Faites réparer votre appareil par un réparateur qualifié qui ne devra utiliser que des pièces de rechange identiques. Cela garantira une utilisation sûre de l'appareil.
23. Cet appareil contient des éléments de batterie non remplaçables. Ne modifiez pas et n'essayez pas de réparer l'appareil ou la batterie sans suivre les instructions d'utilisation et d'entretien.
24. Éteignez toujours cet appareil avant de brancher ou de débrancher l'embout motorisé.
25. Ne chargez et ne rangez pas l'appareil en plein air ou à l'intérieur d'une voiture. Chargez, stockez ou utilisez la batterie uniquement dans une zone intérieure sèche où la température est supérieure à 4 °C, mais inférieure à 40 °C. Le chargeur est conçu exclusivement pour une utilisation en intérieur.
26. N'utilisez pas l'appareil pour ramasser des particules ultra-fines telles que la chaux, le ciment, la sciure de bois, la poudre de gypse ou les cendres.

27. N'utilisez pas l'appareil pour ramasser des objets pointus, tels que des clous métalliques, des morceaux de verre, des trombones métalliques ou des épingles.
28. N'utilisez pas l'appareil pour ramasser des matières dangereuses et des produits chimiques, tels que des solvants, des produits de nettoyage pour vidange, des acides forts ou des alcalis puissants.
29. Cessez immédiatement d'utiliser l'appareil en cas de surchauffe, de bruits inhabituels, de mauvaises odeurs, de faible aspiration ou de fuite d'électricité.
30. Éteignez le nettoyeur et débranchez-le de la prise électrique avant de le ranger pour une longue période.
31. Nettoyez toujours le réservoir d'eau sale après chaque utilisation afin d'éviter tout blocage, ce qui peut entraîner une faible puissance d'aspiration, une surchauffe du moteur et une réduction de la durée de vie de l'appareil.
32. Après utilisation, rangez l'appareil en intérieur, à l'abri de l'humidité.
33. Ne posez pas et ne plongez pas l'appareil dans de l'eau stagnante et n'essayez pas de nettoyer les zones inondées.
34. Toutes les données et instructions techniques de ce manuel sont basées sur les résultats des tests effectués en laboratoire par Tineco ou des tiers désignés. La société se réserve tous les droits pour les explications finales.
35. La fiche doit être retirée de la prise avant tout nettoyage ou entretien de l'appareil.
36. Un accident peut se produire si l'appareil passe sur le cordon d'alimentation.
37. N'utilisez pas l'appareil si la surface à nettoyer est couverte par plus de 5 mm d'eau.
38. Ne débranchez pas l'appareil en tirant sur le cordon. Pour débrancher, saisissez la fiche, pas le cordon.
39. Il ne faut pas tirer ou transporter l'appareil par le cordon, ou utiliser le cordon comme une poignée, fermer une porte sur le cordon ou tirer sur le cordon autour des bords ou des coins tranchants. Ne faites pas rouler l'appareil sur le cordon. Gardez le cordon loin de surfaces chauffées.
40. Lorsque la batterie n'est pas utilisée, tenez-la éloignée des objets métalliques tels que trombones, pièces de monnaie, clés, clous, vis ou autres petits objets métalliques qui pourraient créer une connexion entre les bornes de la batterie. Court-circuiter les bornes de batterie peut provoquer des brûlures ou un incendie.
41. N'abandonnez pas l'appareil lorsqu'il est branché. Débranchez-le de la prise lorsqu'il n'est pas utilisé et avant son entretien.
42. Si le câble d'alimentation est endommagé, il doit être remplacé par son fabricant, son agent d'entretien ou une personne du même niveau de qualification, afin d'éviter tout danger.
43. La batterie doit être retirée de l'appareil avant sa mise au rebut.
44. L'appareil doit être débranché du réseau d'alimentation pour le retrait de la batterie.
45. La batterie doit être mise au rebut en toute sécurité.
46. N'ajoutez aucune solution en mode Steam.
47. Utilisez uniquement le modèle de chargeur AA2460.
48. Pour un aspirateur équipé d'un nettoyeur à vapeur :
 - (1) Débranchez l'appareil avant de le remplir, de le rincer ou de le nettoyer. Ne remplissez pas au-dessus de la marque.
 - (2) N'enlevez pas le bouchon de remplissage d'eau lors de l'utilisation de l'accessoire de nettoyage à la vapeur.

- (3) Ne retournez pas la buse de nettoyage à la vapeur et ne touchez pas sa surface lorsque vous utilisez l'accessoire de nettoyage à la vapeur.
- (4) N'utilisez que de l'eau pour remplir le réservoir. N'utilisez aucun type de produit chimique ou d'additif
- (5) N'appliquez pas la vapeur directement sur une personne ou un animal.
- (6) Ne touchez pas la buse de nettoyage vapeur ou les surfaces adjacentes lors du nettoyage à la vapeur ou lorsque la buse est chauffée.

Applications

1. Ce nettoyeur de sol sans fil doit être utilisé sur les sols durs en intérieur, tels que le vinyle, le carrelage, le parquet, etc. L'utilisation sur une surface rugueuse ne permet pas d'obtenir les meilleures performances.
2. Tenez votre appareil à l'écart des sources de chaleur, telles que la cheminée ou le chauffage, afin d'éviter toute déformation du boîtier.
3. N'utilisez pas l'appareil pour ramasser des liquides inflammables ou combustibles, des particules ultra-fines, des objets pointus, des matières dangereuses, des produits chimiques ou tout autre produit brûlant ou fumant, comme décrit ci-dessus.

À propos de l'appareil

1. Ne modifiez pas et n'essayez pas de réparer l'appareil sauf comme indiqué dans les instructions de fonctionnement et de nettoyage.
2. L'appareil doit uniquement être utilisé avec l'alimentation électrique fournie. La fiche doit être retirée de la prise avant tout nettoyage ou entretien de l'appareil.
3. Soyez particulièrement vigilant(e) en passant l'aspirateur dans les escaliers.
4. Vérifiez que l'interrupteur marche/arrêt est en position d'arrêt avant de saisir l'appareil ou de le porter. Ne posez pas l'appareil à l'horizontale et ne le penchez pas afin d'éviter que de l'eau sale ne pénètre dans le moteur.
5. Pour éviter tout risque de trébuchement, veuillez ranger l'appareil sur la station de recharge.
6. Installez toujours correctement le réservoir d'eau sale et le réservoir d'eau propre avant l'utilisation.
7. Veillez à ne pas mouiller l'appareil ou la station de recharge afin d'éviter tout risque d'incendie ou de blessure causé par un court-circuit.

À propos de la station de séchage et de recharge

(Applicable aux modèles avec fonction de séchage).

1. **AVERTISSEMENT** – Il est interdit d'immerger cet appareil dans l'eau.
2. **MISE EN GARDE** – Surface chaude. Lors de l'utilisation, évitez tout contact.

3. Cet appareil est équipé d'une fiche polarisée (une broche est plus large que l'autre). Pour réduire le risque d'électrocution, le branchement dans la prise polarisée n'est possible que dans un seul sens. Si la fiche ne s'enfonce pas complètement dans la prise de courant, branchez-la dans l'autre sens. Si elle ne s'enfonce toujours pas, contactez un électricien qualifié. Ne modifiez pas la fiche de quelque façon que ce soit.

Déclaration de conformité FCC du fournisseur

SÉRIE FLOOR ONE S9 ARTIST STEAM

Cet appareil est conforme à la section 15 de la réglementation FCC. Son fonctionnement est soumis aux deux conditions suivantes :

(1) Cet appareil ne doit pas provoquer d'interférences nuisibles, et (2) cet appareil doit accepter toutes les interférences reçues, y compris celles susceptibles de provoquer un fonctionnement indésirable.

TINECO INTELLIGENT, INC.

1700 WESTLAKE AVENUE N., SUITE 200, SEATTLE, WA, 98109, USA

WWW.TINECO.COM

1-855-292-8864

Tout changement ou toute modification non expressément approuvé par la partie responsable de la conformité peut annuler le droit de l'utilisateur à utiliser l'équipement.

Remarque : cet équipement a été testé et déclaré conforme aux limites définies pour un appareil numérique de classe B, conformément à l'article 15 de la réglementation FCC. Ces limites sont conçues pour fournir une protection raisonnable contre les interférences nuisibles dans une installation résidentielle.

Cet équipement génère, utilise et peut émettre de l'énergie par radiofréquence. S'il n'est pas installé et utilisé conformément aux instructions, il peut provoquer des interférences nuisibles aux communications radio. Toutefois, il n'est pas garanti que des interférences ne se produiront pas dans une installation particulière. Si cet équipement provoque des interférences nuisibles à la réception des signaux de radio ou de télévision, ce qui peut être déterminé en éteignant et en rallumant l'équipement, il est recommandé à l'utilisateur d'essayer de corriger les interférences en prenant une ou plusieurs des mesures suivantes :

- (1) Réorienter ou déplacer l'antenne de réception.
- (2) Augmenter la distance entre l'équipement et le récepteur.
- (3) Brancher l'appareil sur une prise située sur un circuit différent de celui auquel le récepteur est connecté.
- (4) Consulter le concessionnaire ou un technicien radio/TV expérimenté pour obtenir de l'aide.

Déclaration FCC relative à l'exposition aux rayonnements

Cet équipement est conforme aux limites d'exposition aux radiations définies par la FCC pour un environnement non contrôlé. Cet équipement doit être installé et utilisé avec une distance minimale de 20 cm entre l'émetteur de radiations et n'importe quelle partie de votre corps.

Remarque

Le fabricant n'est pas responsable des interférences radio ou TV causées par des modifications non autorisées de cet équipement. Ces modifications peuvent annuler le droit de l'utilisateur à utiliser cet équipement.

Remarque IC

Cet appareil contient des émetteurs/récepteurs exempts de licence qui sont conformes aux normes RSS exemptes de licence d'Innovation, Sciences et Développement économique Canada. Son fonctionnement est soumis aux deux conditions suivantes :

- (1) cet appareil ne doit pas provoquer d'interférences.
 - (2) cet appareil doit accepter toutes les interférences, y compris celles susceptibles de provoquer un fonctionnement indésirable de l'appareil.
- Cet appareil numérique de classe B est conforme à la norme canadienne ICES-003.
 - Cet équipement est conforme aux limites d'exposition aux radiations définies par la ISED RSS-102 pour un environnement non contrôlé. Cet équipement doit être installé et utilisé avec une distance minimale de 20 cm entre l'émetteur de radiations et n'importe quelle partie de votre corps.

Spécifications


Produit (appareil)	SÉRIE FLOOR ONE S9 ARTIST STEAM
Tension	25,2 V \equiv Li-ion de 6 250 mAh
Puissance d'alimentation	285 W
Autonomie	environ 75 minutes
Durée de la recharge	3 à 3,5 heures
Débit d'eau	20 - 100 ml/min.
Capacité du REP	environ 0,88 L
Capacité du RES	environ 0,75 L (Statut à plat : 0,6 L)
Étanchéité	IPX4

Station de séchage et de recharge

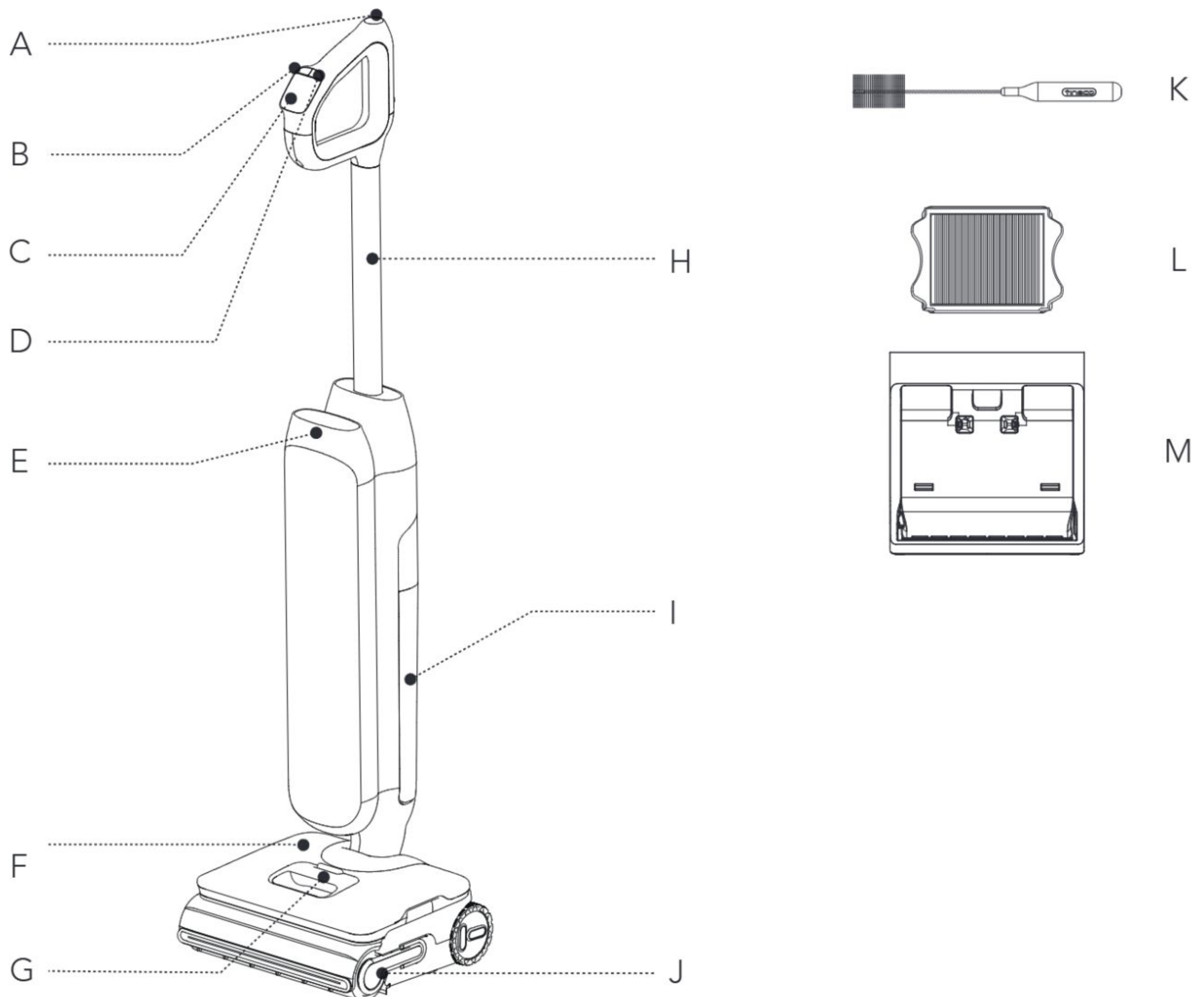
Entrée (séchage)	120 V~ 60 Hz 5,2 A
Entrée (charge)	120 V~ 60 Hz 1 A
Sortie	30 V \equiv 2 A

*Les estimations de l'autonomie ont été obtenues par un laboratoire Tineco.

Élimination des déchets

- La batterie contient des matériaux nuisibles à l'environnement. Elle doit donc être retirée de l'appareil avant l'élimination de celui-ci.
- Éteignez l'appareil avant d'enlever la batterie.
- Les batteries, les chargeurs, les accessoires et l'emballage doivent faire l'objet d'un tri dans l'optique d'un recyclage écologique. Ne les jetez pas au feu, à l'eau ou dans le sol. Les chargeurs et batteries ne doivent en aucun cas être jetés avec les ordures ménagères ! 
- En cas de contact du liquide de batterie avec la peau ou les vêtements, rincez immédiatement à l'eau afin d'éviter toute irritation, puis consultez un médecin.

Présentation



- A. Bouton de nettoyage automatique
- B. Sélecteur de mode
- C. Affichage numérique
- D. Marche/arrêt
- E. Affichage lumineux en 3D
- F. Réservoir d'eau propre (REP)
- G. Déverrouillage du réservoir d'eau propre

- H. Tube
- I. Réservoir d'eau sale (RES)
- J. Rouleau brosse
- K. Outil de nettoyage
- L. Filtre sec
- M. Station de séchage et de recharge

Accessoires

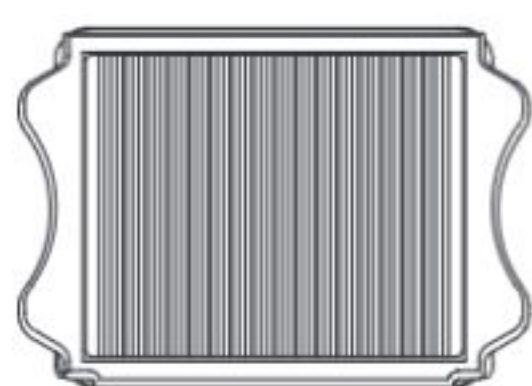
Remarque :

Les accessoires peuvent varier selon les marchés. Si vous avez besoin de plus d'accessoires, veuillez aller sur le site www.tineco.com ou store.tineco.com.



Rouleau brosse résistant à la chaleur

Le rouleau souple à poils peut être utilisé pour aspirer et laver en même temps. Il peut facilement être nettoyé à l'aide de la fonction de nettoyage automatique.



Filtre sec

Le filtre sec et le filet filtrant peuvent bloquer les grosses particules et les débris, garantissant ainsi la durabilité de l'appareil.

* Veuillez installer le filtre sec avant toute utilisation, sinon cela peut affaiblir la puissance d'aspiration.



Outil de nettoyage

Une brosse complète pour nettoyer le RES, le compartiment de la brosse et l'ouverture.

L'outil est également doté d'une extrémité à poils pour éliminer la saleté et la boue sur le rouleau et dans le RES.

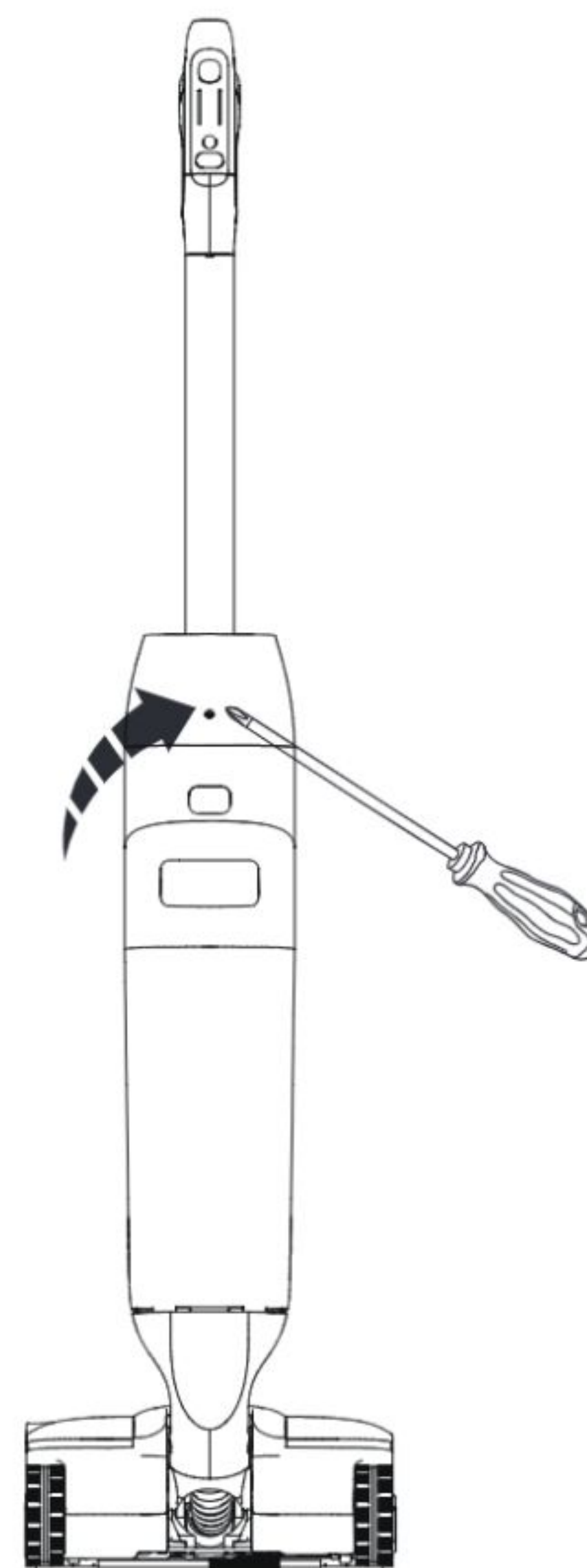
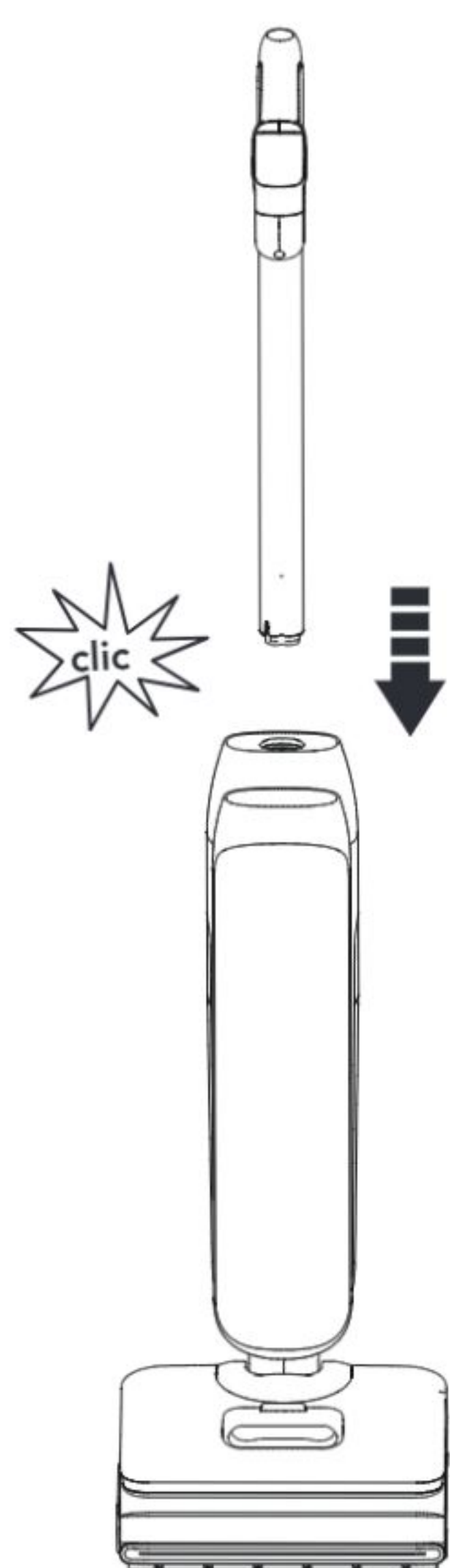
Assemblage

Comment assembler/désassembler l'appareil

Remarque :

Pour l'ensemble constitué du réservoir d'eau et de la brosse, reportez-vous aux sections « Fonctionnement » et « Entretien ».

FR



Pour fixer la poignée, insérez-la dans l'appareil jusqu'à ce que vous entendiez un clic.

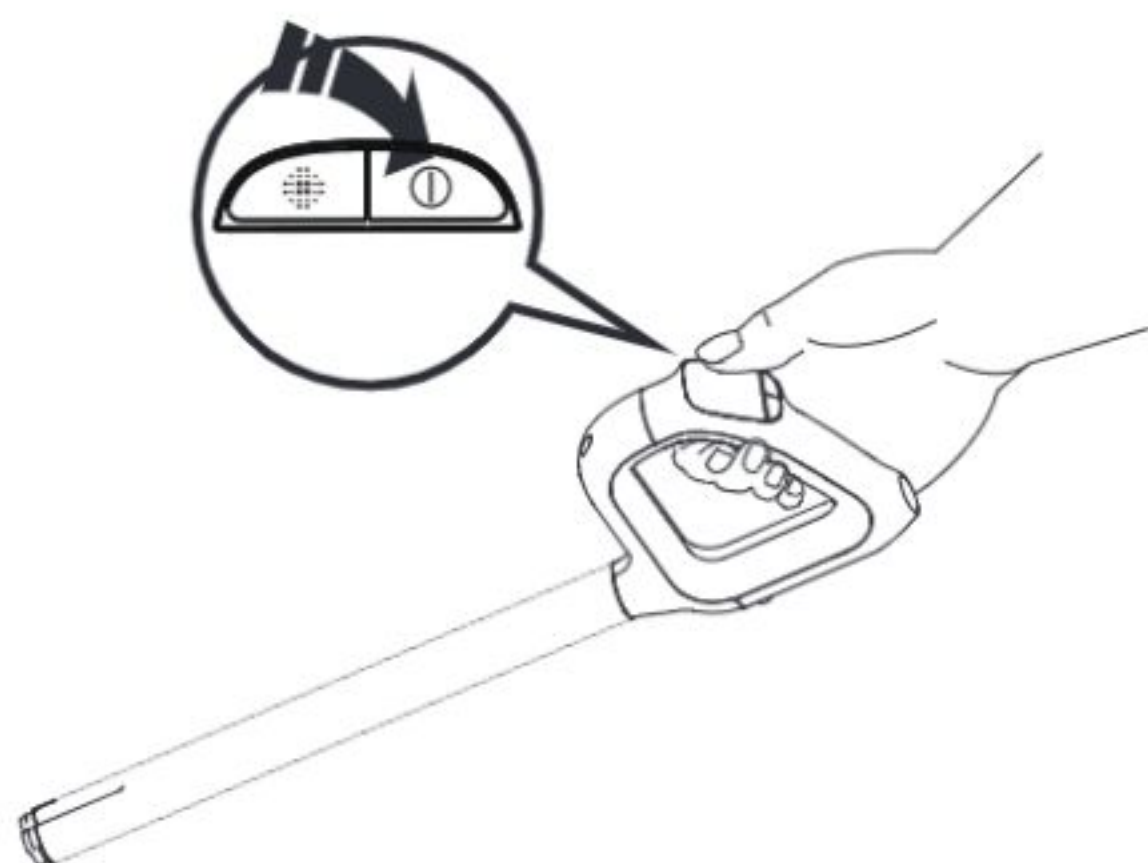
Dans le cas où la poignée doit être démontée, appuyez sur le ressort pour libérer la poignée à l'aide d'un outil (par exemple un tournevis) et soulevez la poignée de l'appareil.


Fonctionnement

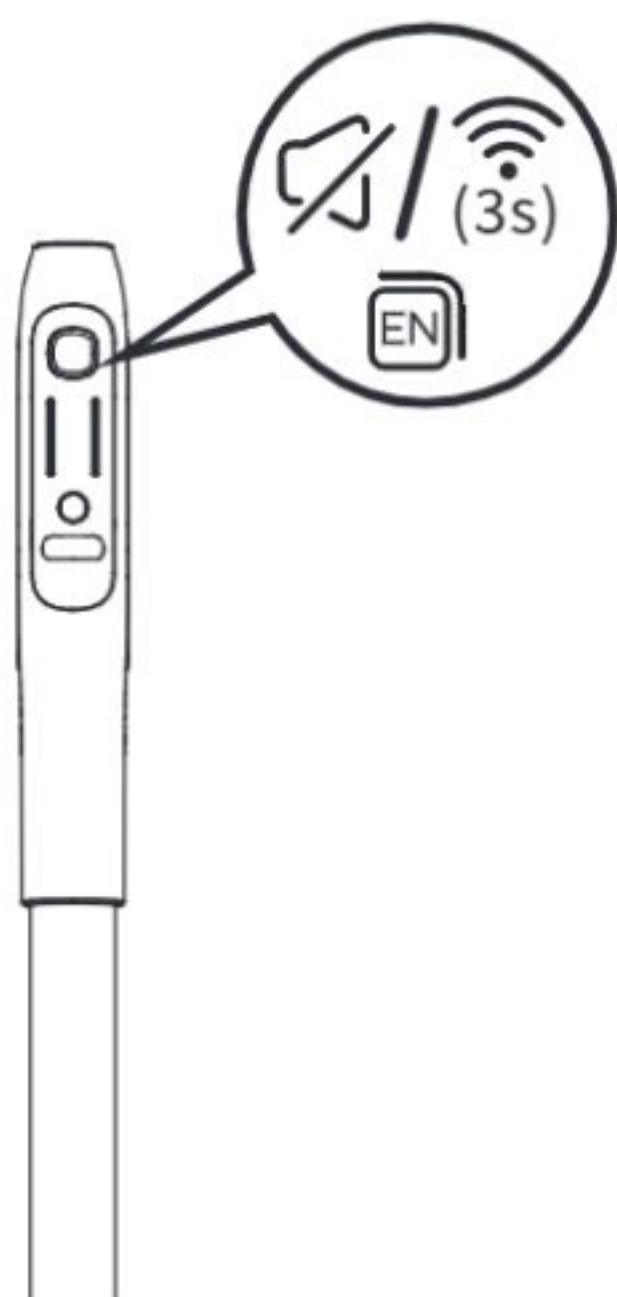
Préparation à l'utilisation

- Avant la première utilisation, veuillez charger l'appareil pendant moins de 3,5 heures (reportez-vous à la section « Instructions de chargement » pour plus de détails).

* Basé sur les résultats des tests de laboratoire Tineco. Température de laboratoire 4 °C à 40 °C.

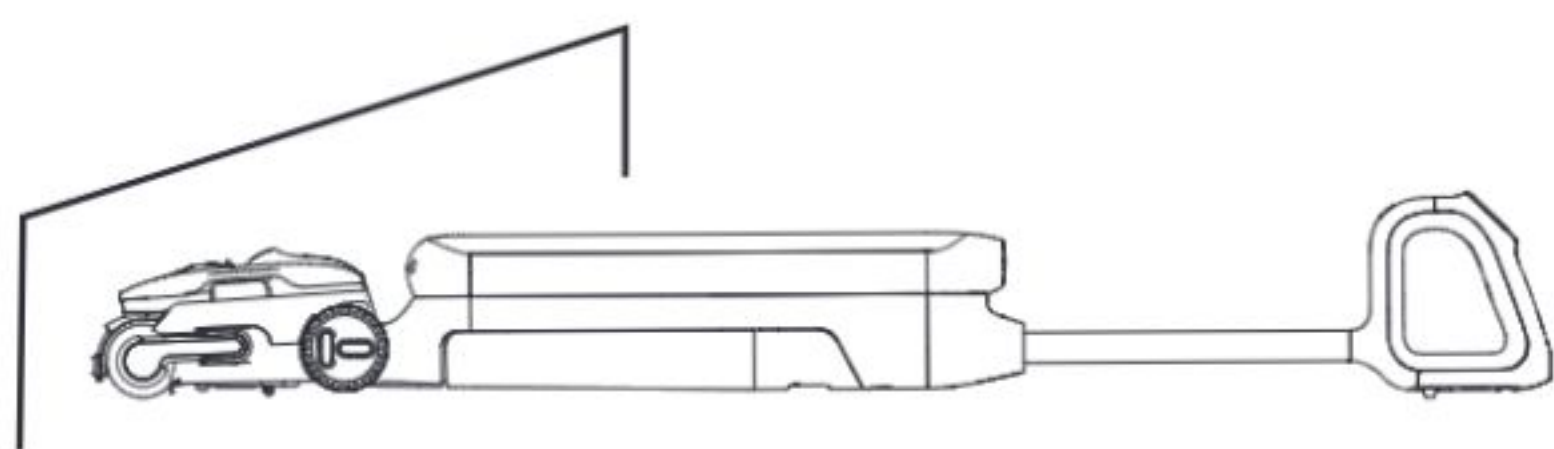


Appuyez sur le bouton ① pour que l'appareil démarre en mode AUTO par défaut. Appuyez à nouveau sur ce bouton pour éteindre l'appareil. Alternez entre les modes AUTO, MAX, STEAM et ASPIRATION en appuyant sur le bouton .

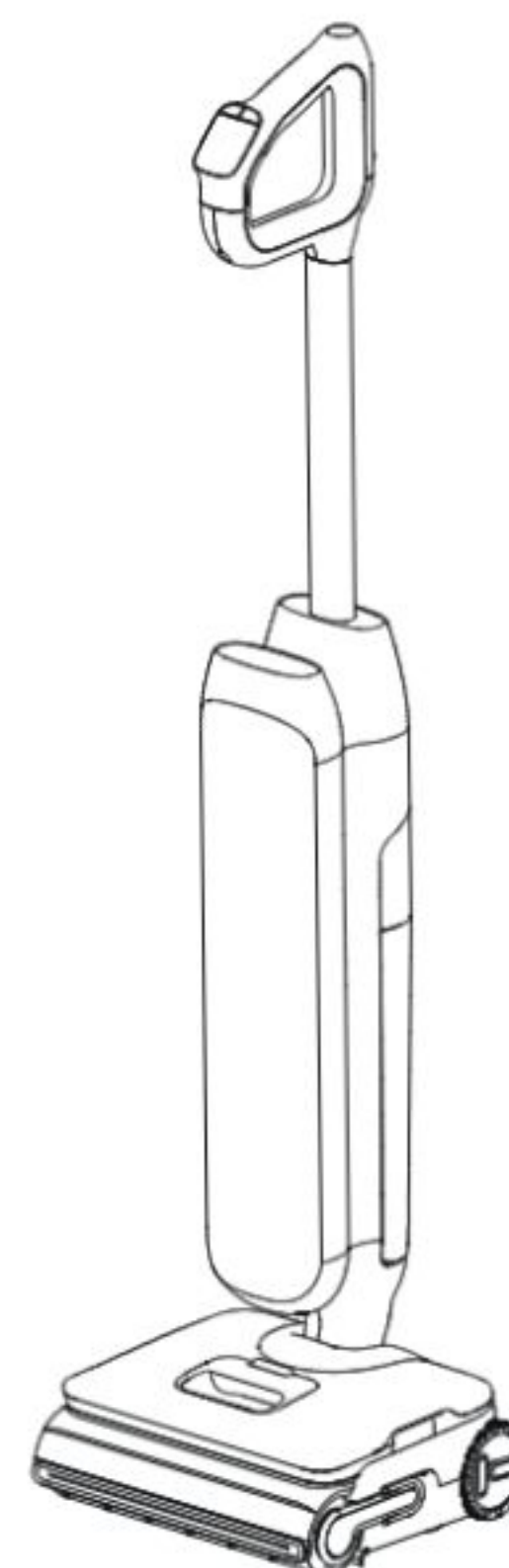


Bouton de Wi-Fi/Couper le son/Sélection de langue

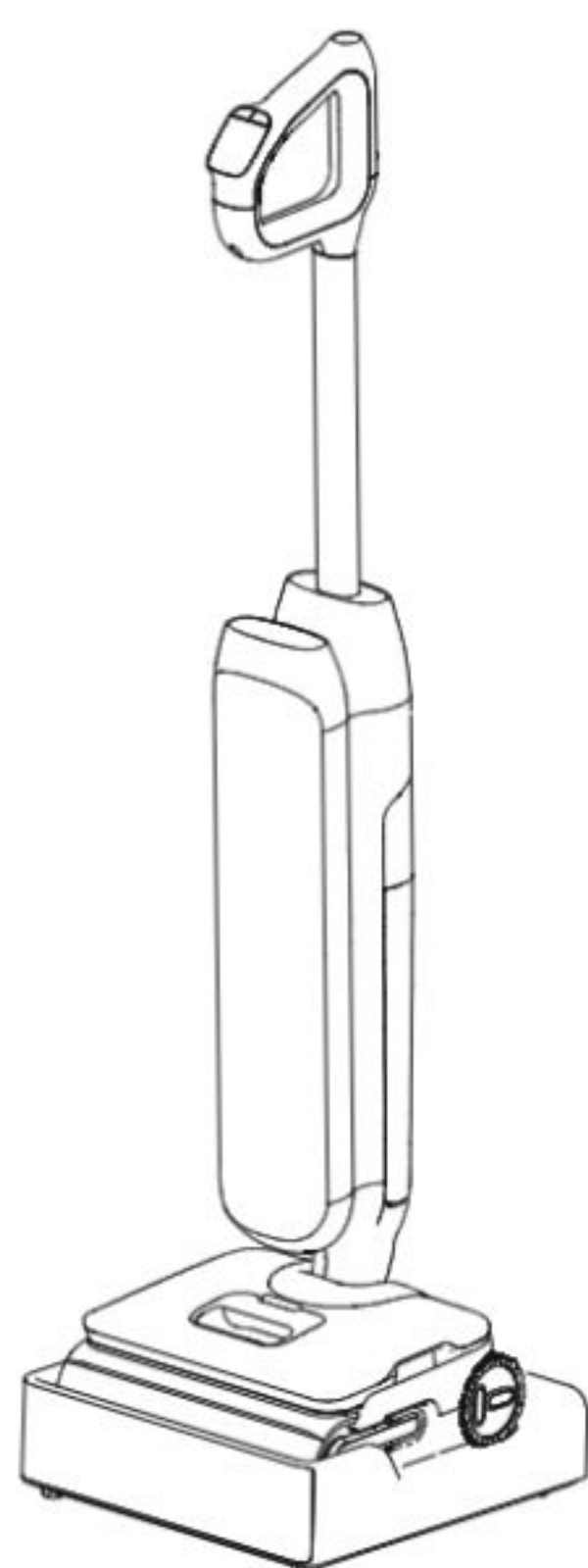
- Une pression courte permet de régler le volume.
- Appuyez à deux reprises sur ce bouton pour changer de langue. (D'autres langues seront ajoutées pour la voix, veuillez vous référer au produit actuel pour le moment.)
- Maintenez ce bouton enfoncé pendant 3 secondes pour vous connecter au réseau.



Pour nettoyer sous le lit et les meubles, posez d'abord l'appareil à plat.



L'appareil s'arrêtera de fonctionner en position verticale et recommencera à fonctionner lorsque vous l'inclinerez.

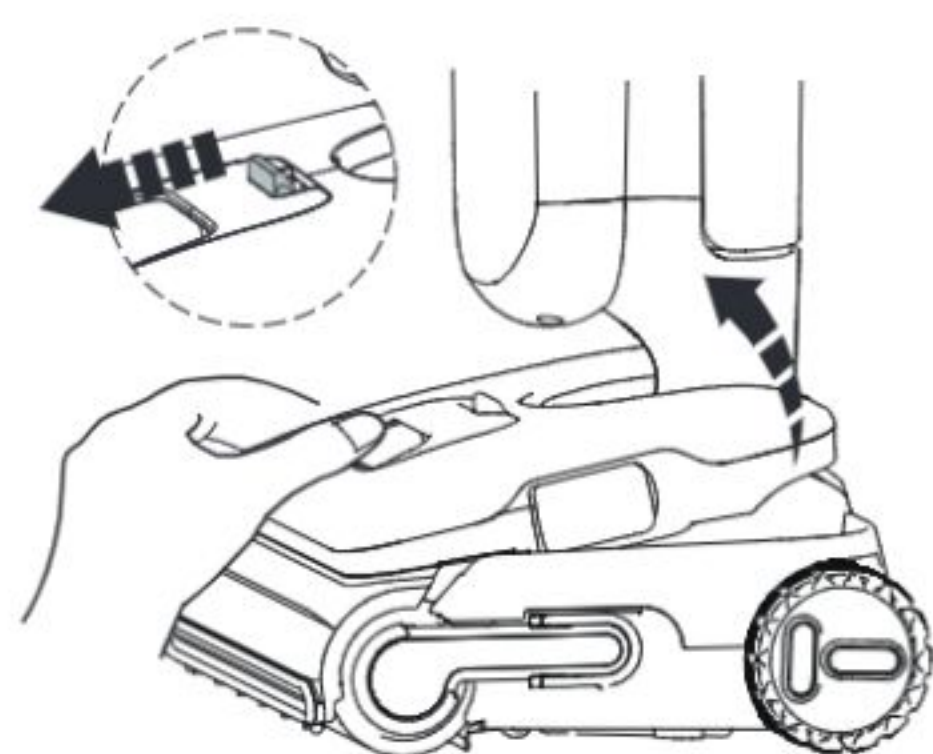


Placez l'appareil verticalement sur la station de recharge après utilisation pour le recharger et le ranger.

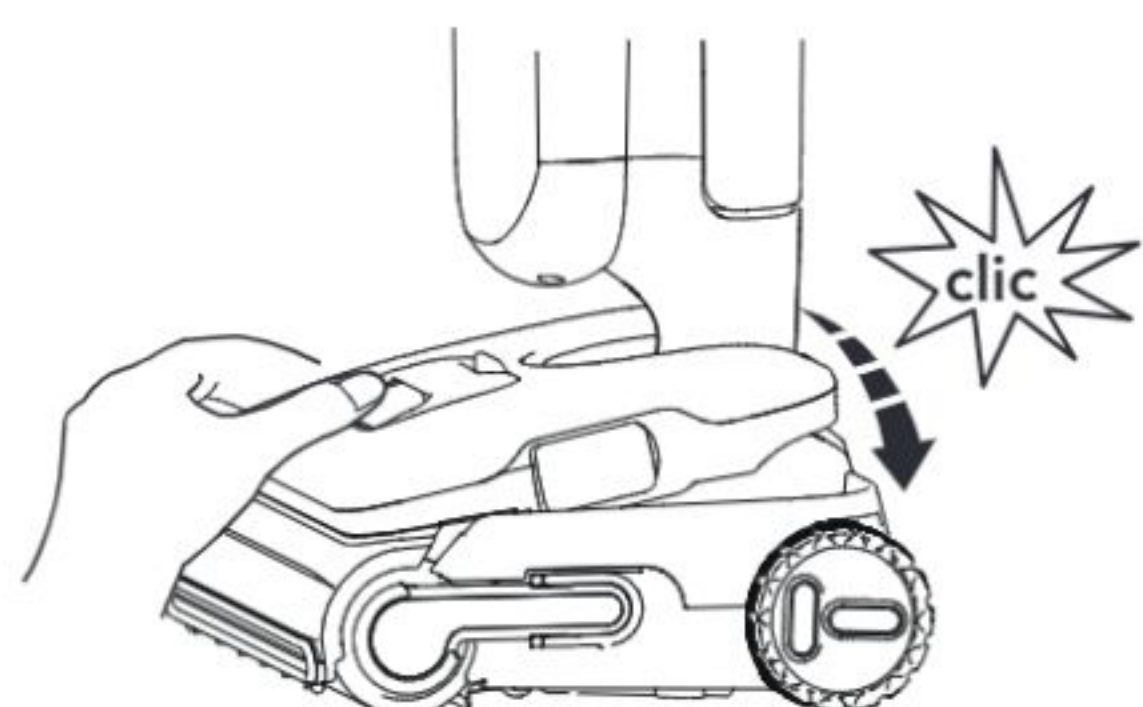
Remarque :

- Il est essentiel de choisir le bon mode en fonction du contenu du REP pour atteindre le niveau de détection de la saleté le plus efficace.
- N'aspirez pas de liquide mousseux.
- Pour aspirer l'eau présente sur la surface, l'appareil continuera de fonctionner pendant 3 secondes suivant la mise hors tension.

Remplissage du réservoir d'eau propre



Appuyez sur le bouton de déverrouillage du réservoir d'eau propre pour le retirer de l'appareil.



Remplacez le réservoir dans l'appareil. Vous entendrez un clic lorsque le réservoir est bien en place.

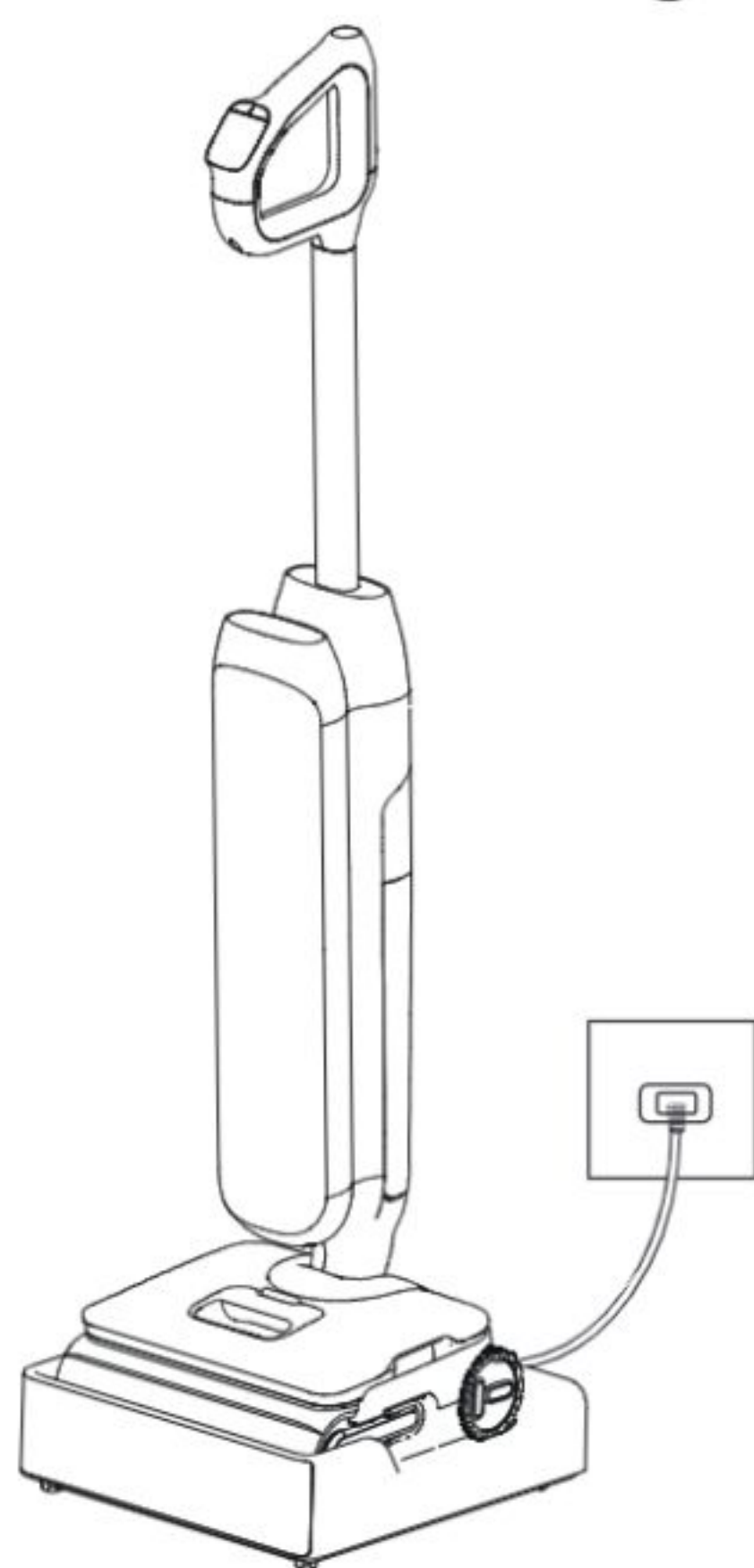


Ouvrez le bouchon du réservoir et remplissez ce dernier d'eau du robinet.

Remarque :

Utilisez uniquement de l'eau dont la température est inférieure à 60 °C.
N'UTILISEZ PAS D'EAU CHAUDE.

Instructions de chargement



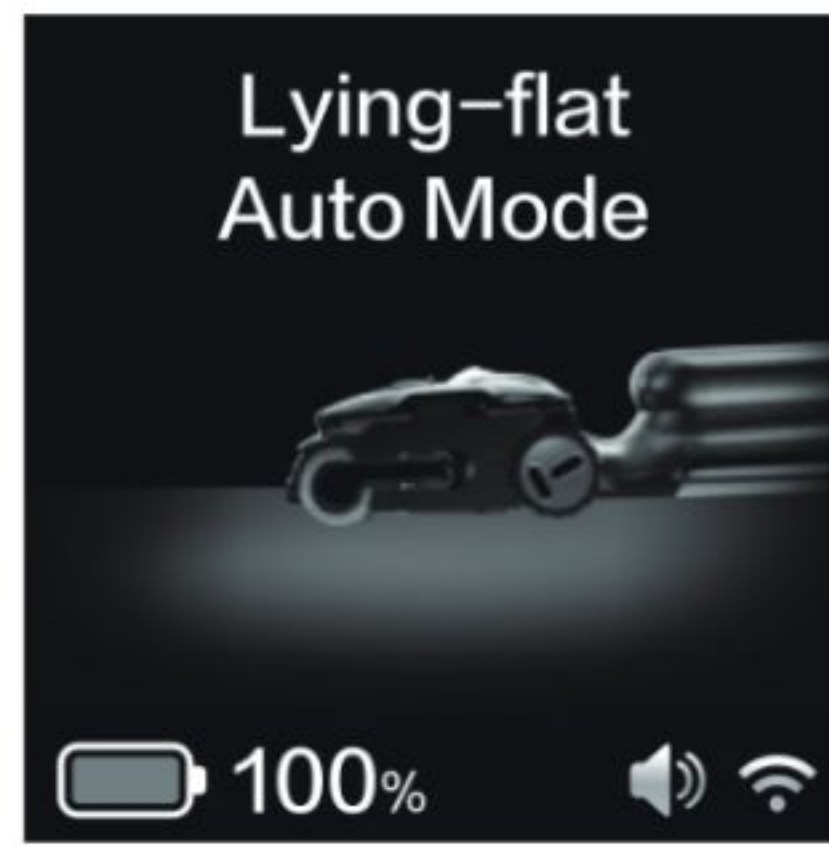
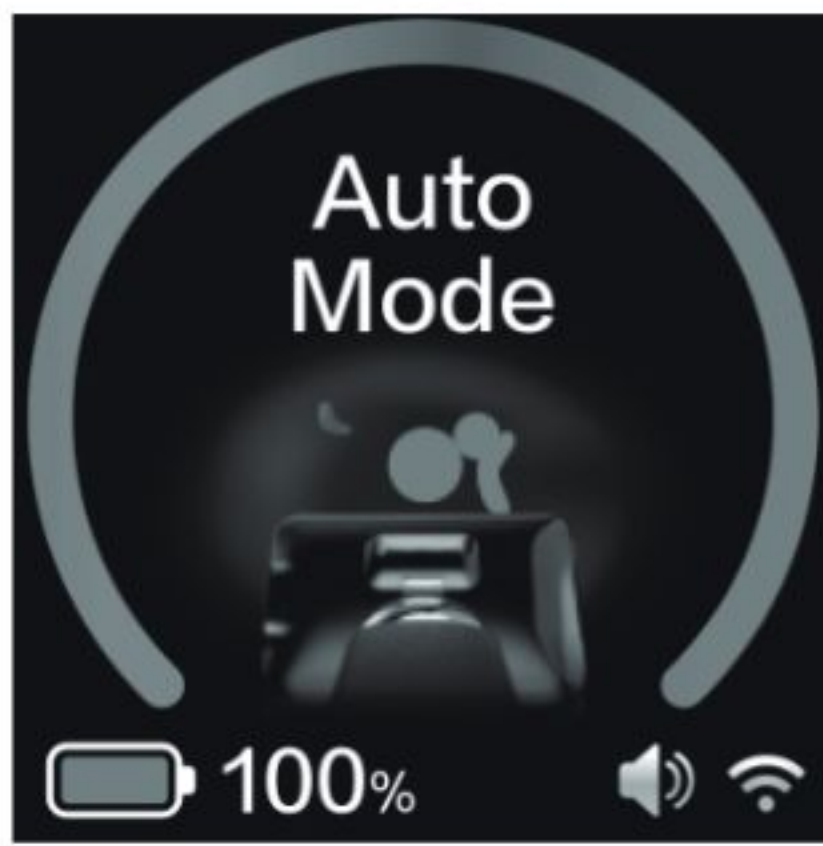
- Pour charger l'appareil, branchez la station de recharge et placez l'appareil dessus.
- Pour éviter tout risque de trébuchement, placez l'appareil sur la station de recharge à proximité d'un mur pendant la charge.

Avertissement :

- Chargez l'appareil uniquement avec le chargeur fourni par Tineco.
- Pendant de longues périodes de non-utilisation, l'appareil doit être chargé une fois tous les 3 mois pour des performances optimales. Une charge complète peut nécessiter jusqu'à 3,5 heures.
- Rangez l'appareil en intérieur, à l'abri de l'humidité. N'exposez pas l'appareil à la lumière du soleil ni au gel. Plage de température recommandée : 4 °C à 40 °C.

Sélection du mode de nettoyage


Mode AUTO / Mode AUTO (position à plat)



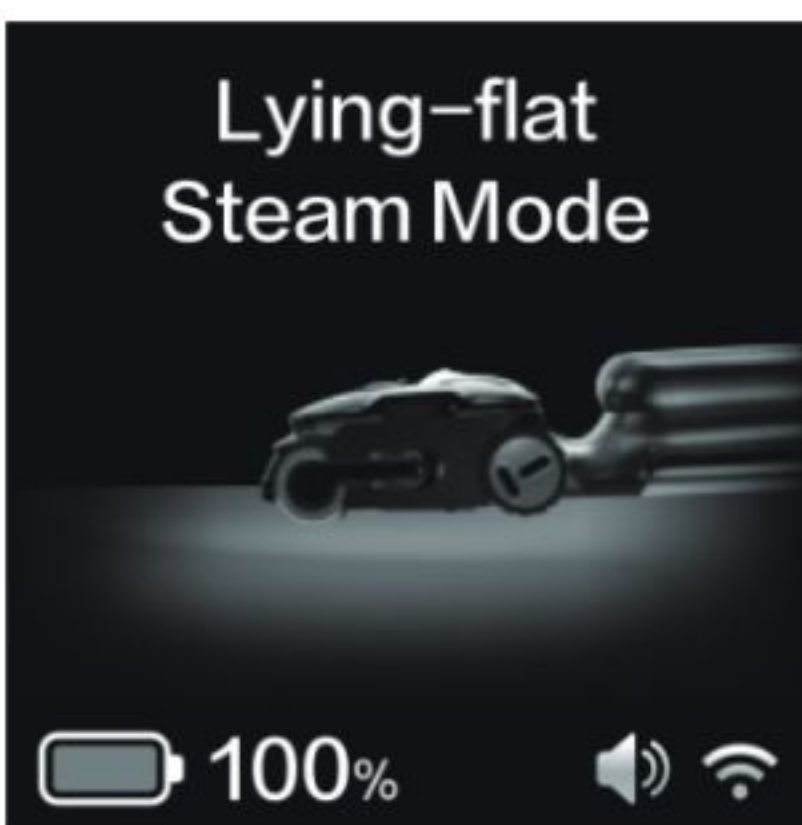
- En mode AUTO et en mode AUTO (position à plat), le capteur iLoop détecte automatiquement le degré de saleté du sol et applique la puissance d'aspiration.
- Une lumière rouge intense indique que la saleté détectée est plus importante, et une lumière bleue indique que la saleté détectée est moins importante.


Mode MAX / Mode MAX (position à plat)



- En mode AUTO/AUTO (position à plat), appuyez sur le bouton  pour accéder au mode MAX/ mode MAX (position à plat).
- En mode MAX / mode MAX (position à plat), l'appareil applique une puissance d'aspiration maximale et pulvérise de l'eau pour les taches incrustées.

Mode STEAM / Mode STEAM (position à plat)




- En mode AUTO et en mode AUTO (position à plat), appuyez deux fois sur le bouton  pour accéder au mode STEAM / mode STEAM (position à plat).
- En mode STEAM/Mode STEAM (à plat), la préparation de la vapeur prend de 20 à 50 secondes. Ce mode est idéal pour nettoyer les taches tenaces.

Remarque : N'ajoutez aucune solution en mode Steam.

Mode SUCTION / Mode SUCTION (position à plat)

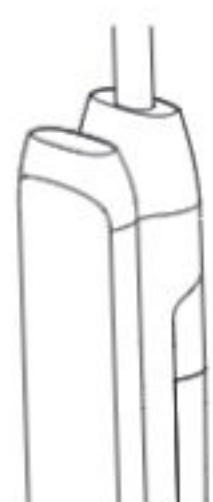
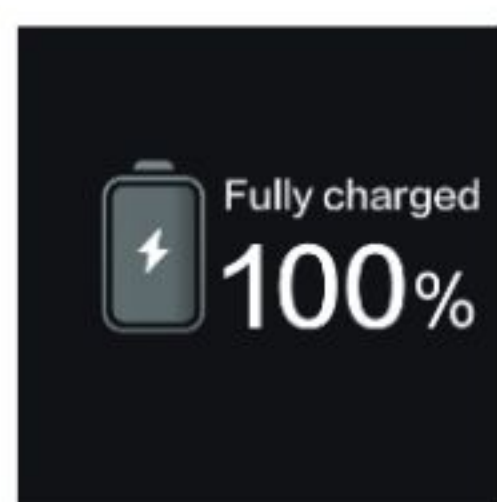


- En mode AUTO et en mode AUTO (position à plat), appuyez trois fois sur le bouton  pour accéder au mode SUCTION / mode SUCTION (position à plat).
- En mode SUCTION / mode SUCTION (position à plat), l'appareil absorbe l'eau. Nous recommandons d'utiliser ce mode sur la surface mouillée.

Remarque :

Éloignez les objets pointus de l'écran numérique pour éviter les rayures et les éraflures.

Pendant la charge / Charge complète



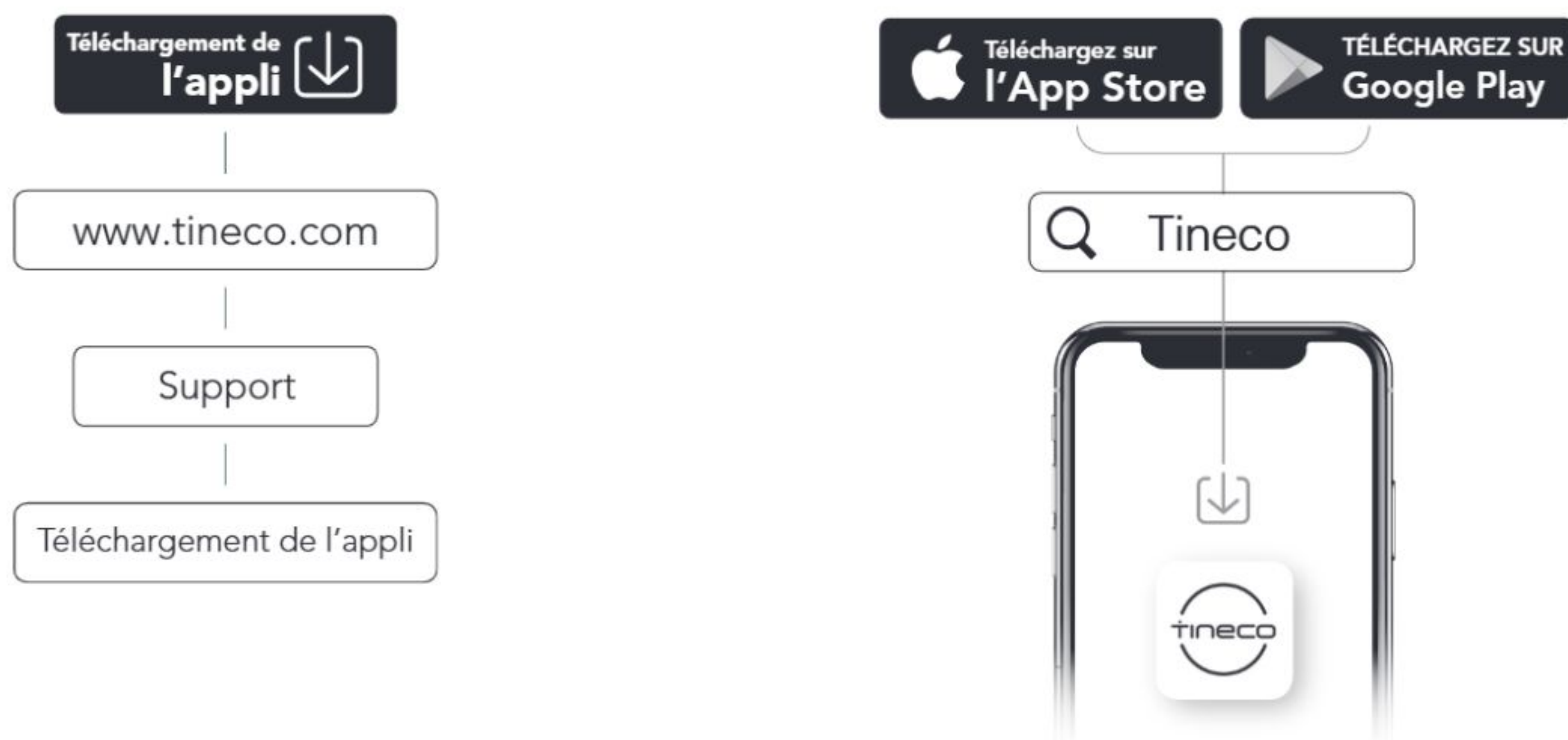
- Écran : affichage du niveau de la batterie pendant 5 minutes, puis extinction de l'écran. Appuyez sur n'importe quel bouton pour vérifier l'état de la batterie pendant sa charge.
- Affichage lumineux en 3D, le voyant vert pulse 3 fois.

Durée de la recharge

- Il faut environ 3,5 heures pour une recharge complète.
- Les données estimées ont été obtenues par un laboratoire Tineco à des températures ambiantes allant de 4 à 40 °C.

Application

Toutes les fonctions peuvent être activées à l'aide de l'application Tineco. Téléchargez l'application Tineco depuis l'App Store, Google Play et site officiel de Tineco.



Remarque :

Le paramètre par défaut pour l'invite vocale est l'anglais, vous pouvez définir d'autres langues à l'aide de l'application.

Invite vocale (le contenu peut varier, veuillez noter que l'invite vocale réelle prévaut.)

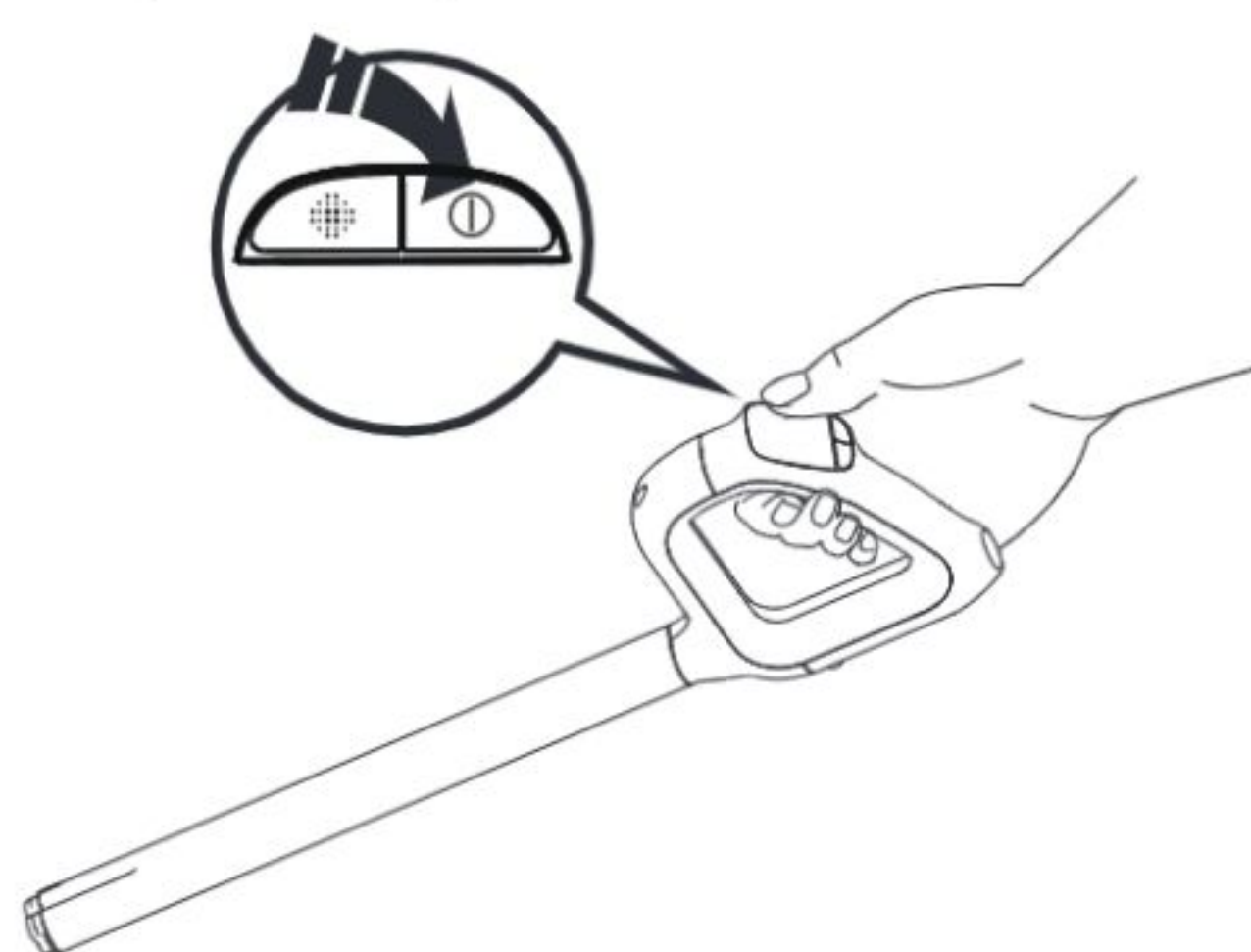
État	Rappel
Invites vocales activées	Invites vocales activées.
Invites vocales désactivées	Invites vocales désactivées.
Mode Auto par défaut	Mode Auto.
Passer en mode Suction	Mode Suction.
Passer en mode Max	Mode Max.
Passer en mode Steam	Mode Steam.
Niveau de la batterie : 10 à 20%	Batterie faible.
Entrer en mode Steam pour commencer la préparation de la vapeur	La préparation de la vapeur va commencer.
Niveau de la batterie : 0 à 10%	Batterie faible. Veuillez charger l'appareil.
Le réservoir d'eau propre est vide	Quantité d'eau insuffisante dans le réservoir d'eau propre. Veuillez ajouter de l'eau.
Impossible d'effectuer le nettoyage automatique	Placez l'appareil sur la station de recharge pour commencer le nettoyage automatique.
Le réservoir d'eau sale est plein	Réservoir d'eau sale plein. Il faut le vider.
Rouleau brosse bloqué	Nettoyez le rouleau brosse.
Mettre l'appareil hors tension	Mise hors tension en cours.
Batterie insuffisante pour le nettoyage automatique	Batterie faible. Veuillez charger avant d'initier le nettoyage automatique.
Nettoyage du rouleau brosse en cours	Nettoyage du rouleau brosse en cours.
Nettoyage du tuyau en cours	Nettoyage du tuyau en cours.
Nettoyage en profondeur en cours	Nettoyage en profondeur en cours.
Nettoyage automatique terminé	Nettoyage automatique terminé. Veuillez vider et nettoyer le réservoir d'eau sale pour éviter les odeurs indésirables.
Commencer la charge	Charge en cours.
Insuffisamment d'eau pour le nettoyage automatique	Veuillez ajouter de l'eau et commencer le nettoyage automatique.

Entretien

Remarque :

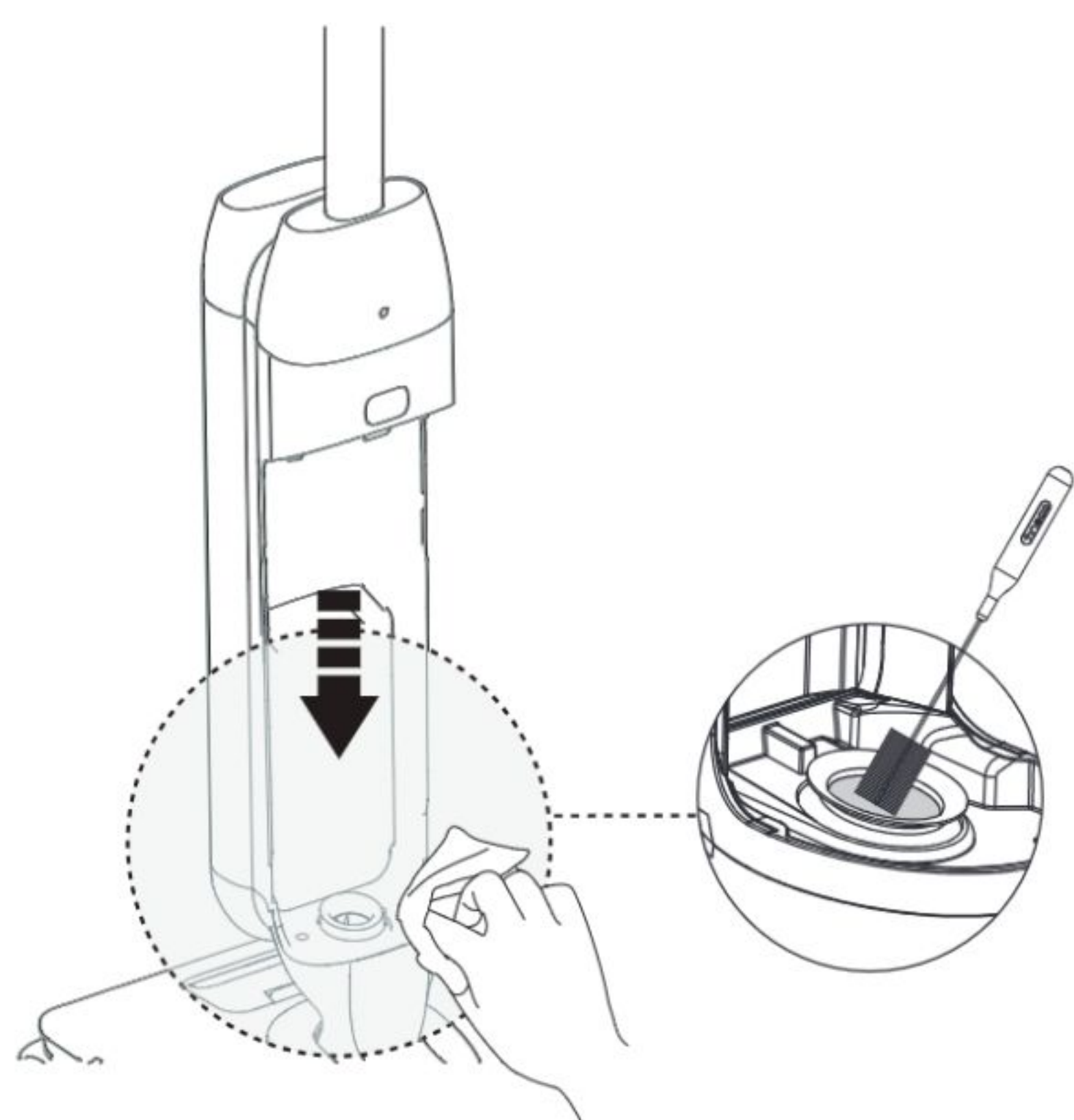
- Pour obtenir des performances optimales et éviter les odeurs, **nettoyez** et **séchez** toujours **complètement** le RES, le, REP, les filtres, le rouleau brosse après chaque utilisation.
- Assurez-vous que chaque pièce est correctement installée, sinon l'appareil peut ne pas fonctionner correctement.
- Ne trempez pas l'appareil et ne le lavez pas à l'eau.
- Une certaine quantité d'eau peut rester dans l'appareil à la suite de l'inspection en usine.
- Après l'entretien, placez l'appareil verticalement sur la station de recharge. N'exposez pas l'appareil à la lumière directe du soleil et rangez-le à l'intérieur dans un endroit sec.

Corps principal



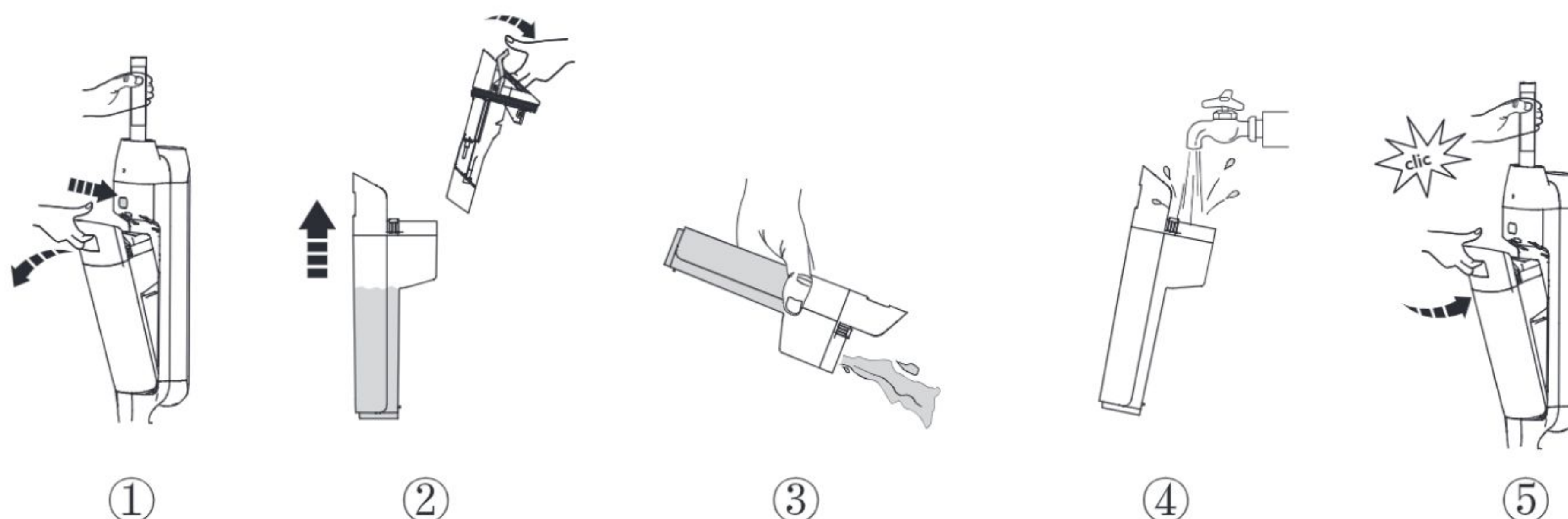
Pour réduire le risque de blessure, éteignez l'appareil avant de procéder à l'entretien.

Utilisez un chiffon pour nettoyer la surface avec un détergent neutre. Le chiffon doit être sec pour éviter que de l'eau ne pénètre dans l'appareil.



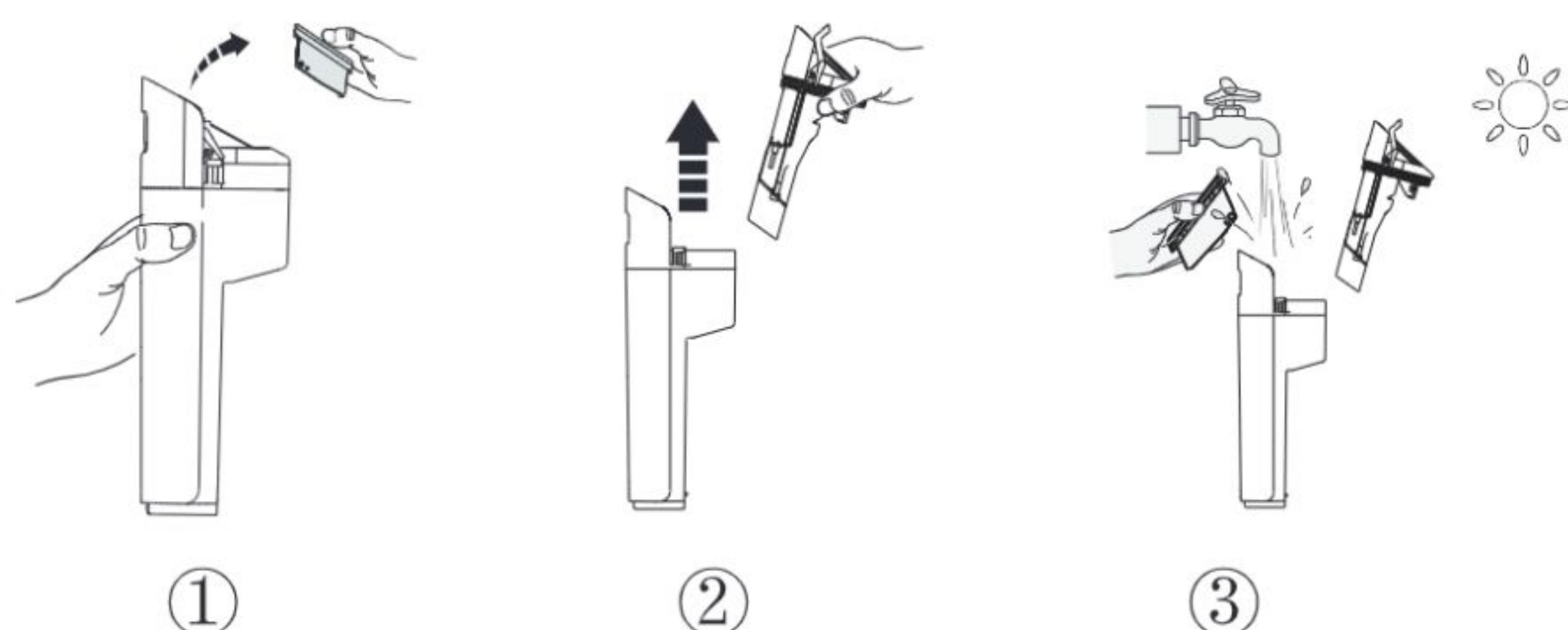
Nettoyez le capteur de poussière avec un chiffon humide ou l'accessoire de nettoyage.

Réservoir d'eau sale



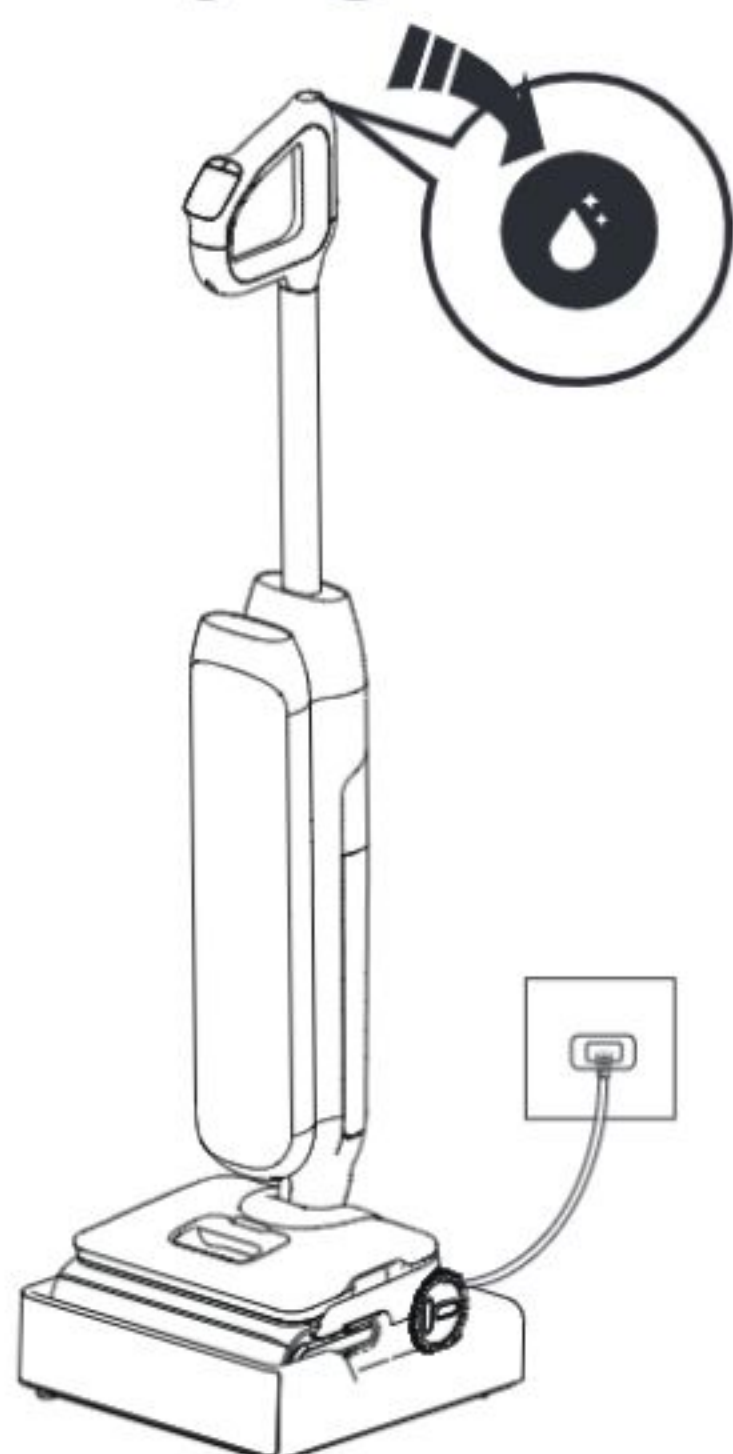
- Lorsque l'eau sale atteint la ligne Max, l'appareil cesse de fonctionner, affiche un rappel et émet une invite vocale.
- Tirez l'anneau bleu comme indiqué et soulevez le couvercle du réservoir pour vider le RES. Utilisez l'outil de nettoyage pour éliminer les débris restants. Rincez l'intérieur du RES et replacez-le dans l'appareil.

Filtre sec et couvercle du RES



- Saisissez les zones en creux de chaque côté du filtre sec et tirez vers le haut. Rincez sous l'eau courante et laissez sécher complètement avant de replacer le filtre sec dans le couvercle du RES.
- * Un filtre sec de rechange est fourni avec votre appareil pour faciliter le remplacement.

Nettoyage automatique du rouleau brosse

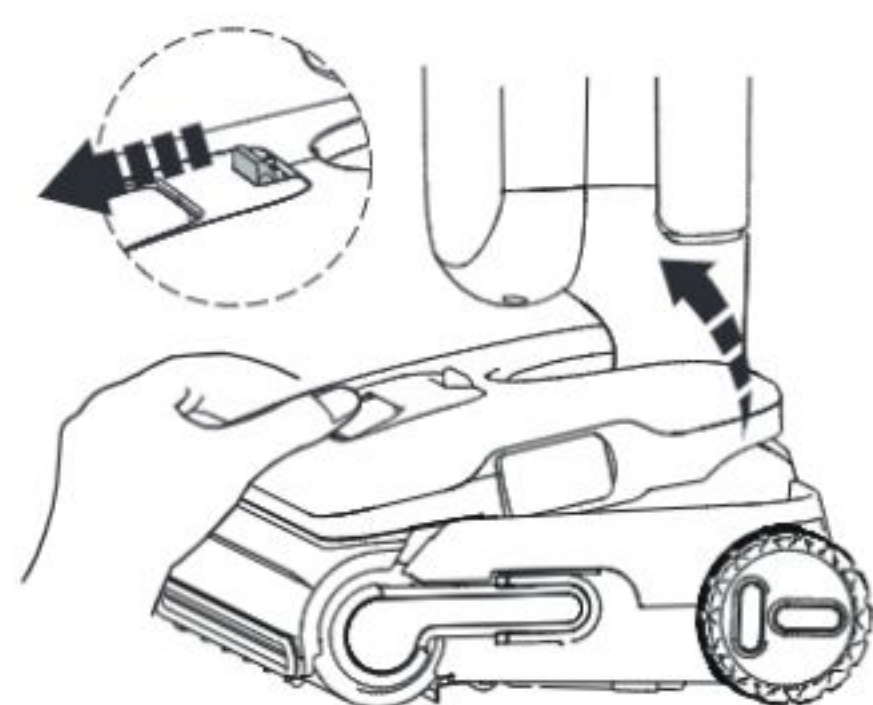


1. Placez l'appareil sur la station de recharge après l'utilisation, le capteur détecte automatiquement le niveau de saleté.
2. Lorsque vous entendez l'invite vocale « Veuillez commencer le cycle de nettoyage automatique », appuyez sur le bouton de nettoyage automatique et démarrez le processus.
3. Une fois le processus terminé, vous entendrez l'invite vocale « Nettoyage automatique terminé. Veuillez nettoyer le réservoir d'eau sale ». À ce stade, l'appareil commence à se charger.

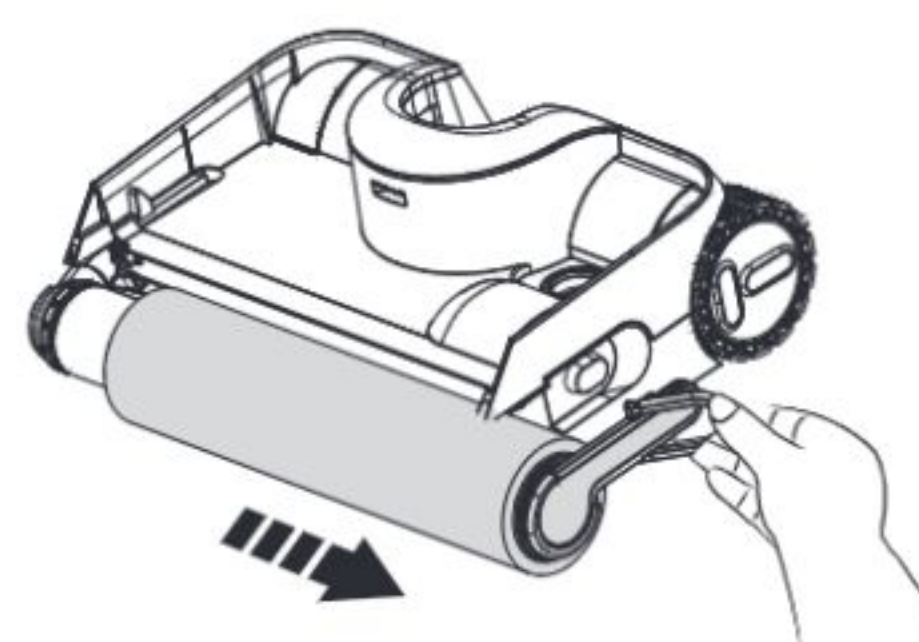
Remarque :

- Assurez-vous que la station de recharge est branchée et que le niveau de batterie est supérieur à 18 %.
- Avant le cycle de nettoyage automatique, veuillez nettoyer le RES et vous assurer que le niveau d'eau dans le REP dépasse 40 %.

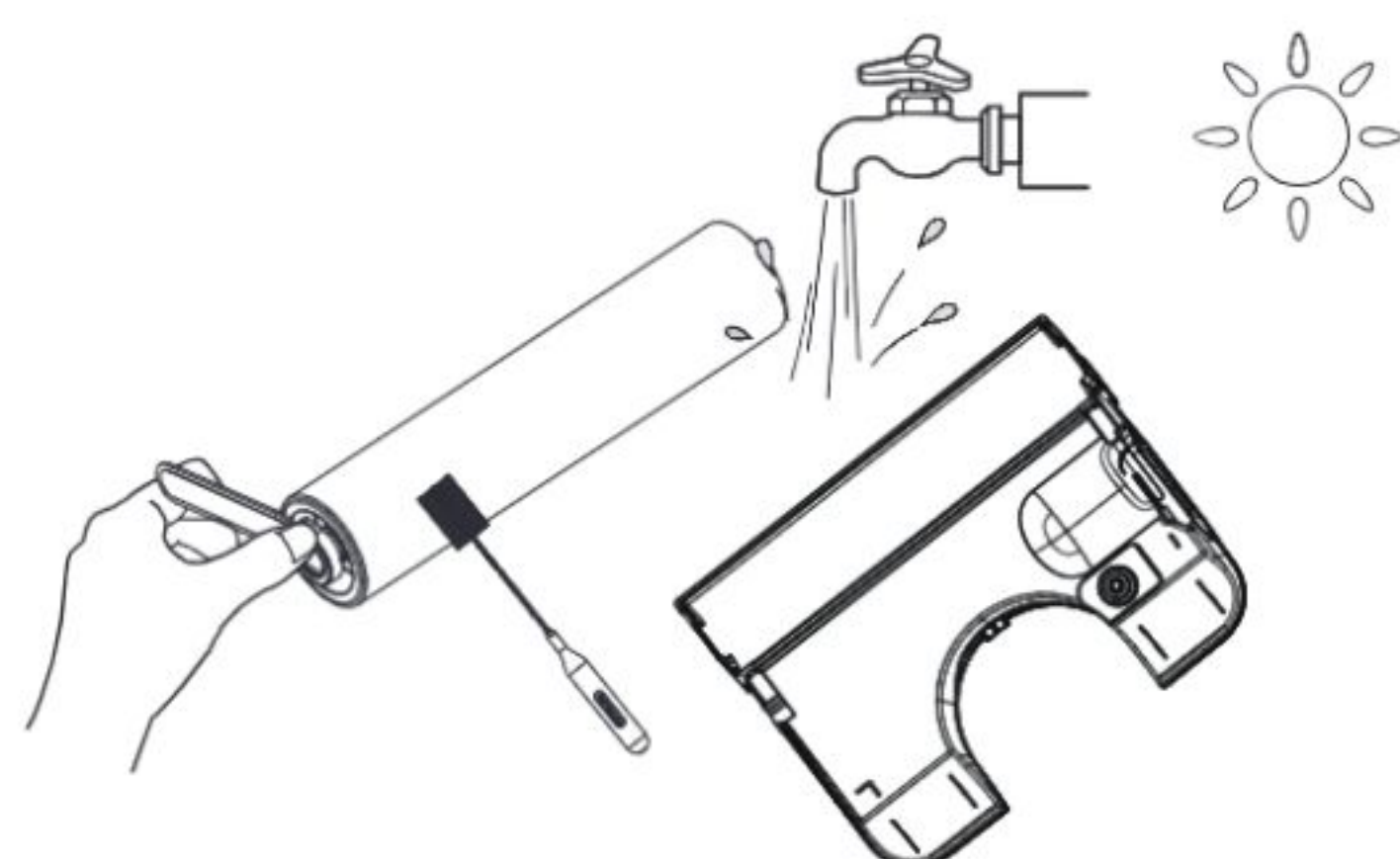
Rouleau brosse



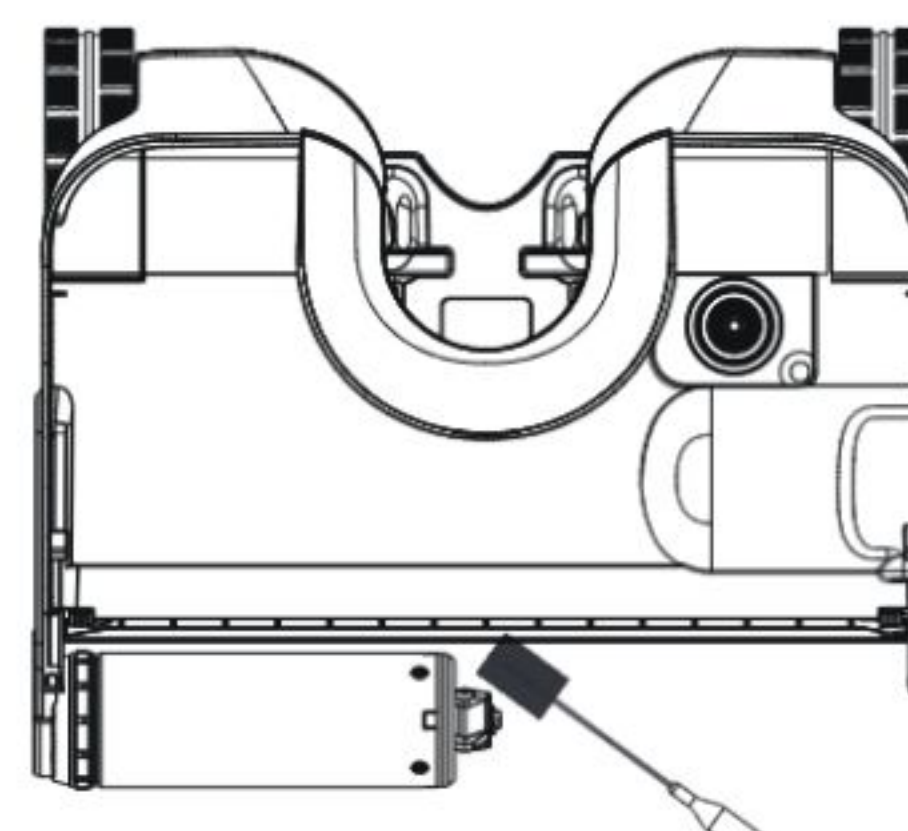
Appuyez sur le bouton de déverrouillage du réservoir d'eau propre pour le retirer de l'appareil.



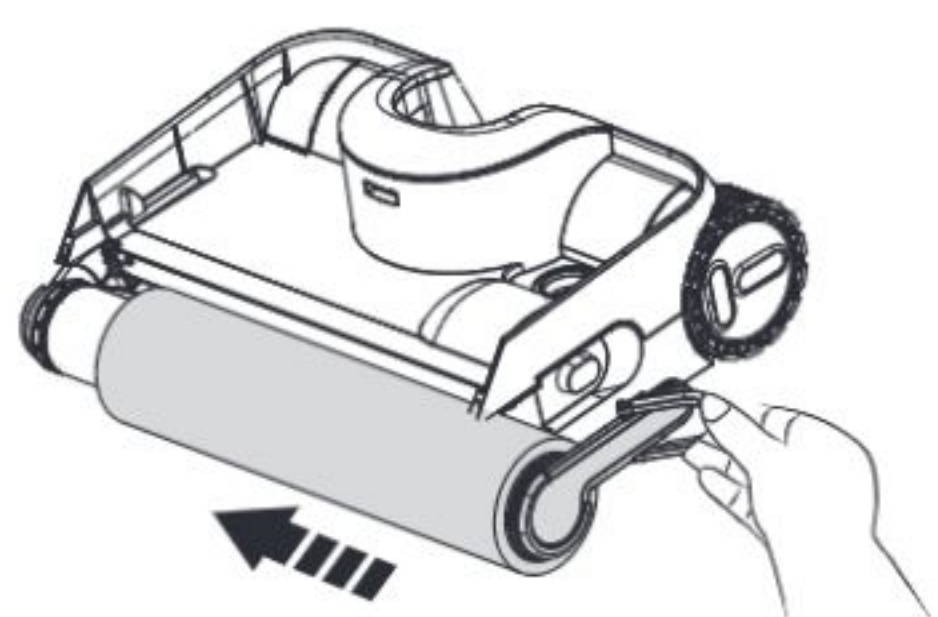
Retirez le rouleau brosse en saisissant la languette et en la sortant.



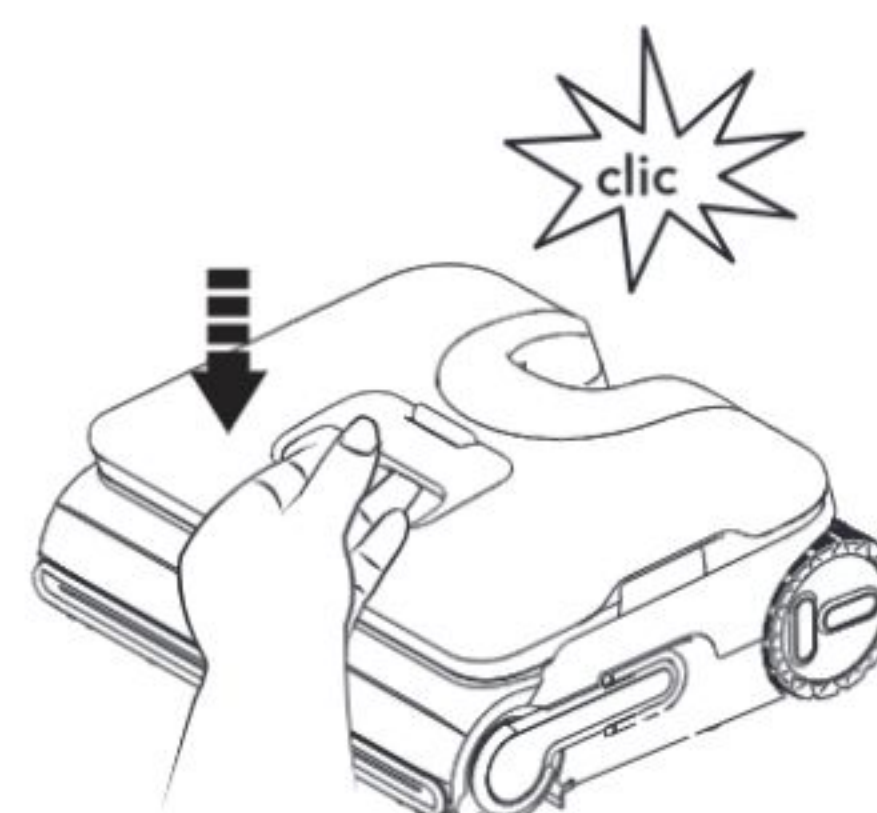
Utilisez l'outil de nettoyage pour retirer les cheveux et les débris enroulés autour du rouleau et rincez celui-ci ainsi que l'arrière du REP à l'eau. Laissez-les sécher complètement avant de les remettre en place.



Retirez les cheveux et les débris du compartiment du rouleau brosse et de l'ouverture à l'aide de l'outil de nettoyage.

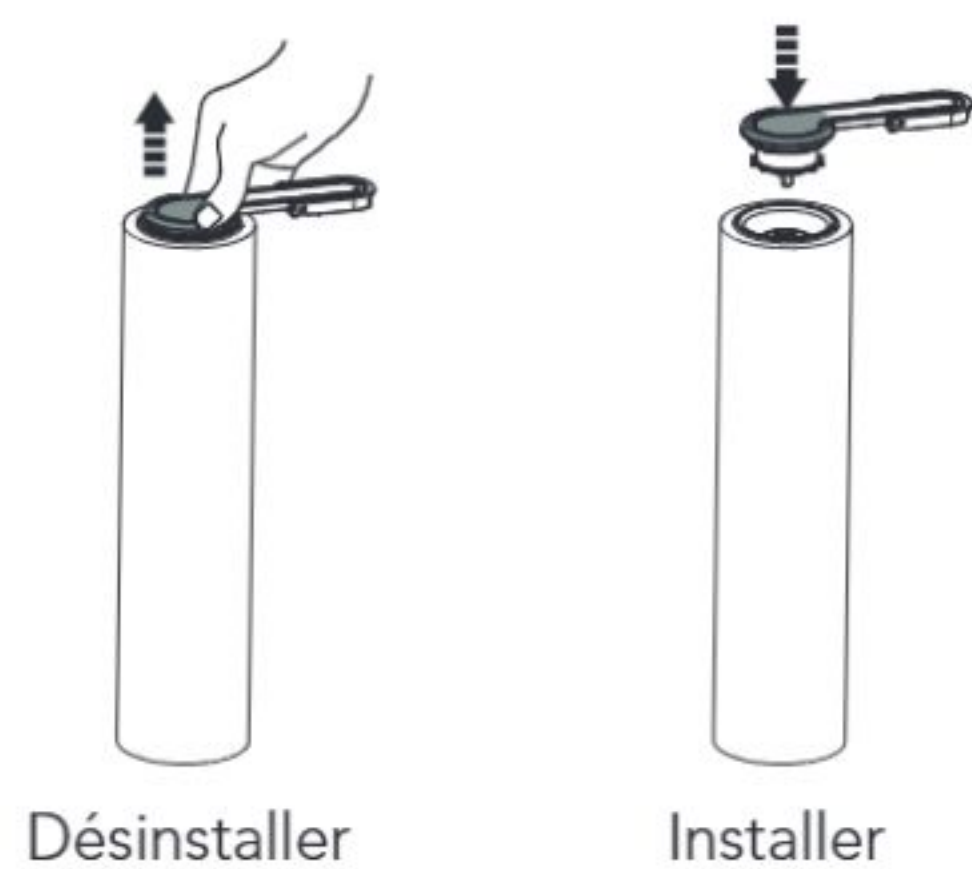


Remettez le rouleau brosse en place en insérant son extrémité dans le côté gauche du support, puis fixez la languette du rouleau à la boucle magnétique à droite pour la verrouiller en place.



Remettez le réservoir dans l'appareil. Vous entendrez un clic lorsque le réservoir est bien en place.

Remplacement du rouleau brosse



Tirez la poignée du rouleau vers le haut pour l'enlever. Une fois retirée, installez la poignée dans le nouveau rouleau brosse.








Lors du démontage, ne tirez pas directement sur l'anneau de traction du rouleau brosse.

Remarque :

- Un rouleau brosse de rechange est fourni avec votre appareil pour faciliter le remplacement.
- Pour maintenir des performances optimales, remplacez le rouleau-brosse tous les 6 mois.

Guide de dépannage

FR

Problème	Cause possible	Solution
L'appareil ne s'allume pas	<ol style="list-style-type: none"> 1. Pas d'alimentation 2. Protection automatique contre la surchauffe 3. La poignée n'est pas placée correctement 	<ol style="list-style-type: none"> 1. Chargez l'appareil 2. Redémarrez après refroidissement de l'appareil 3. Insérez la poignée pour la fixer fermement en place
Aspiration faible	Le filtre sel n'est pas installé ou est sale	Installez le filtre sec ou nettoyez-le et laissez-le sécher complètement
Animation du rouleau-brosse obstrué  Invite vocale : Nettoyer le rouleau brosse	Le rouleau brosse est bloqué	Éliminez les obstructions
L'indicateur Wi-Fi est éteint 	Le Wi-Fi n'est pas connecté	Suivez les étapes pour connecter l'appareil au Wi-Fi
Animation du réservoir d'eau propre  Invite vocale : Quantité d'eau insuffisante dans le réservoir d'eau propre. Veuillez le remplir d'eau	<ol style="list-style-type: none"> 1. Le REP est vide 2. Le REP n'est pas installé correctement 	<ol style="list-style-type: none"> 1. Remplissez le REP 2. Réinstallez le REP
Animation du réservoir d'eau sale  Invite vocale : Le réservoir d'eau sale est plein. Il faut le vider	L'eau sale du RES a atteint la ligne MAX	Videz l'eau sale, puis réinstallez le RES
Niveau de la batterie < 10 %  Invite vocale : Batterie faible. Chargez l'appareil	Charge faible	Chargez l'appareil ou redémarrez-le
Tous les voyants s'éteignent lors du fonctionnement 	Dysfonctionnement du moteur, dysfonctionnement de la batterie, anomalie de charge	<ol style="list-style-type: none"> 1. Laissez l'appareil refroidir et redémarrez-le 2. Assurez-vous que la fiche est correctement insérée
Voyant bleu fixe dans le cadre d'un nettoyage intensif et sale 	Dysfonctionnement ou obstruction du capteur de saleté	Éliminez les obstructions, nettoyez le canal anti-résidus ou redémarrez l'appareil
Icône de nettoyage automatique clignotante	Le rouleau brosse est sale	Démarre le nettoyage automatique

Mauvais fonctionnement du séchage	La fiche n'est pas correctement insérée	Vérifiez si la fiche est correctement insérée ou si la prise est alimentée
	Le rouleau brosse est couvert de débris difficiles à nettoyer	Nettoyer le rouleau brosse
	L'appareil n'est pas placé correctement	Repositionnez l'appareil

Remarque :

Si le guide de dépannage ci-dessus ne fournit pas de solution, veuillez consulter notre site Web www.tineco.com pour plus d'aide.

Garantie

GARANTIE LIMITÉE DE 2 ANS

- Elle s'applique uniquement aux achats effectués auprès des détaillants autorisés de Tineco.
- Elle est soumise au respect des exigences décrites dans ce manuel d'instructions, et est soumise à d'autres conditions décrites ci-dessous.
- Cette garantie est régie et interprétée en vertu des lois du pays dans lequel a eu lieu l'achat. Nous fournissons une garantie de 2 ans ou une période de garantie comme stipulée par le droit local applicable, la période la plus longue étant retenue.

CE QUI EST COUVERT

- Votre appareil Tineco bénéficie d'une garantie de 2 ans contre les défauts d'origine du matériel et de fabrication, lorsqu'il est utilisé à des fins domestiques conformément au manuel d'utilisation de Tineco. Les accessoires motorisés et la batterie achetés séparément sont livrés avec une garantie de 1 an.
- Cette garantie fournit, sans frais supplémentaires, toute la main-d'œuvre et les pièces nécessaires pour assurer que votre appareil est en bon état de fonctionnement pendant la période de garantie.
- Cette garantie n'est valable que pour l'utilisation dans le pays où l'appareil a été vendu.

CE QUI N'EST PAS COUVERT

Tineco ne sera pas responsable des coûts, dommages ou réparations résultant de ce qui suit :

- Appareils achetés auprès d'un revendeur non autorisé.
- Manipulation ou fonctionnement négligent, mauvaise utilisation, abus et/ou manque d'entretien ou utilisation non conforme au manuel d'utilisation Tineco.
- Utilisation de l'appareil autre que pour des usages domestiques normaux, c'est-à-dire, à des fins commerciales ou de location.
- Utilisation de pièces non conformes au manuel d'utilisation Tineco.
- Utilisation de pièces et d'accessoires autres que ceux produits ou recommandés par Tineco.
- Facteurs externes non liés à la qualité et à l'utilisation du produit, tels que la météo, les modifications, les accidents, les pannes électriques, les surtensions ou les catastrophes naturelles.
- Réparations ou modifications effectuées par des parties ou des agents non autorisés.
- Absence de nettoyage des obstructions et autres matières dangereuses de l'appareil.
- Usure normale, y compris l'usure normale des pièces, telles que la poubelle, la ceinture, le filtre, le filtre HEPA, la barre de brosse, le cordon d'alimentation (ou lorsqu'un dommage externe ou un abus est diagnostiqué), les tapis ou planchers endommagés en raison d'une utilisation non conforme aux instructions du fabricant.
- Réduction du temps de décharge de la batterie en raison du vieillissement ou de l'usure de la batterie.

LIMITATIONS DE GARANTIE

- Toute garantie implicite relative à votre appareil, y compris, mais sans s'y limiter, la garantie de qualité marchande ou la garantie d'adéquation à un usage particulier, est limitée à la durée de cette garantie.
- La couverture de la garantie s'applique uniquement au propriétaire d'origine et à la batterie d'origine et n'est pas transférable.
- Cette garantie limitée vous donne des droits légaux spécifiques. Vous pouvez également avoir d'autres droits qui varient selon les régions.
- Les garanties du fabricant peuvent ne pas s'appliquer dans tous les cas, en fonction de facteurs tels que l'utilisation du produit, l'endroit où le produit a été acheté ou la personne à qui vous avez acheté le produit.

Veuillez lire attentivement la garantie et contactez le fabricant si vous avez des questions.

SERVICE DE GARANTIE

Enregistrement : Nous vous recommandons vivement, dès l'achat, d'enregistrer votre appareil en vous connectant à notre site officiel (www.tineco.com) ou en scannant le code QR (voir à droite) pour bénéficier d'avantages plus exclusifs. Pour enregistrer l'appareil, veuillez saisir le numéro de série complet (que vous trouverez après avoir retiré le réservoir d'eau propre).

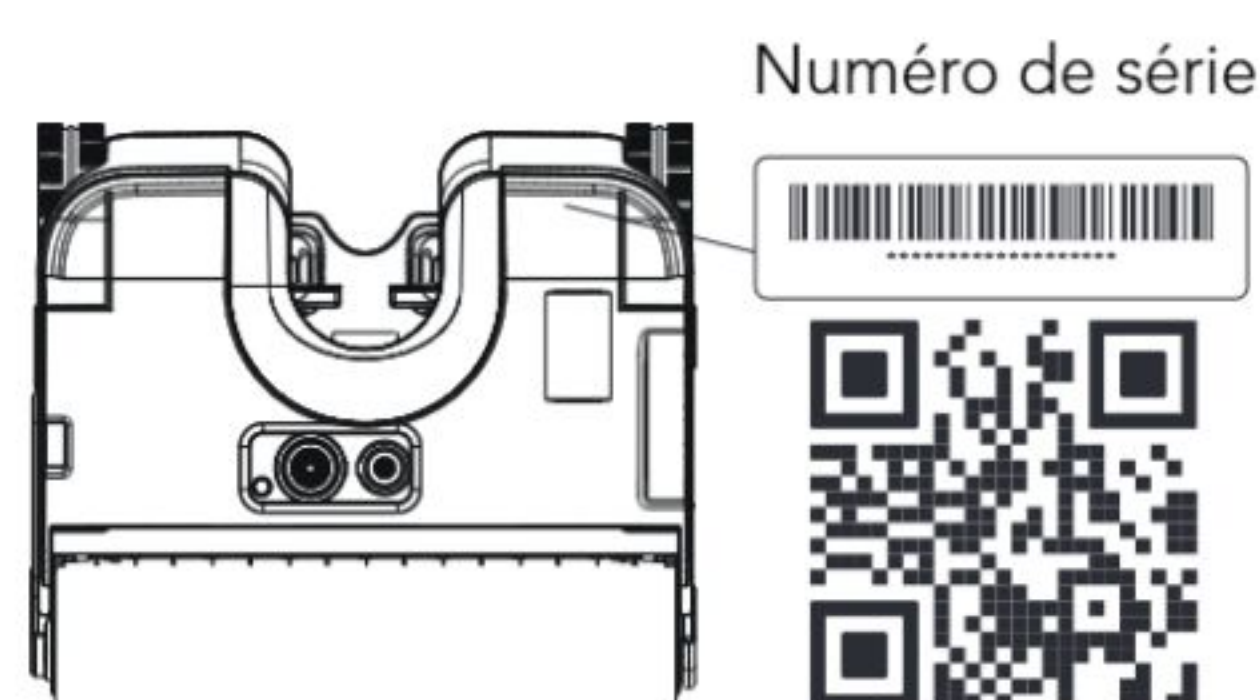
Le fait de ne pas enregistrer votre appareil ne diminuera pas vos droits de garantie.

Comment faire une réclamation : veuillez conserver votre justificatif d'achat. Pour faire une réclamation dans le cadre de notre garantie limitée, vous devez fournir votre numéro de série et le reçu d'achat original avec la date d'achat et le numéro de commande.

Tous les travaux seront effectués par Tineco ou ses agences agréées.

Toute pièce défectueuse remplacée deviendra la propriété de Tineco.


Le service sous cette garantie ne prolongera pas la période de garantie.



Contactez notre service après-vente au :
1-855-292-8864 ou visitez le site Web de
Tineco à l'adresse **www.tineco.com**
pour profiter de l'expertise
du service après-vente.

tineco
Live Easy.
Enjoy Life.



tinecoglobal 



Contact us - We'll get back to you within 24 hours.

Conéctese con nosotros. Nos pondremos en contacto con usted dentro de 24 horas.

Contactez-nous. Nous vous répondrons dans les 24 heures.

 www.tineco.com

 1-855-292-8864